

CONNECTOR FRONT EDGE  
PCB LAYOUT \* - COMPONENT VIEW

TECHNICAL CHARACTERISTICS

MATERIAL  
 INSULATOR: LCP  
 FLAMABILITY RATING: UL94-V0  
 COLOR: BLUE  
 CONTACT MATERIAL: PHOSPHORE BRONZE  
 CONTACT TYPE: STAMPED  
 CONTACT PLATING: UNDERPLATE 1.27 to 2.54 μm Ni  
                           CONTACT AREA 0.76 μm Gold  
                           SOLDER TAIL AREA 2.54 to 5.08 μm Matt Tin  
 SHIELDING: BRASS MATT TIN PLATED

ENVIRONMENTAL  
 OPERATING TEMPERATURE: -20 up to +85°C  
 COMPLIANCE: RoHS & LEAD FREE AS PER DIRECTIVE 2002/95/EC  
 HALOGEN FREE COMPLIANT AS PER IEC 61249-2-21

ELECTRICAL  
 CURRENT RATING:  
 - PIN 1 & PIN 4 (Vbus & corresponding ground PIN) 1.8A Max  
 - OTHER PINS 0.25 A min  
 WORKING VOLTAGE: 30Vac  
 DIELECTRIC WITHSTANDING VOLTAGE: 100Vac/min  
 INSULATION RESISTANCE: > 100MΩ  
 CONTACT RESISTANCE:  
 - PIN 1 & PIN 4: 30mΩ Max  
 - OTHER PINS: 50mΩ Max  
 IMPEDANCE: 90Ω +/- 15Ω @ 50ps RISE TIME (20-80%)

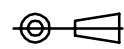

STANDARD  
 CERTIFIED: E323964 / MODEL NUMBER 692121030100

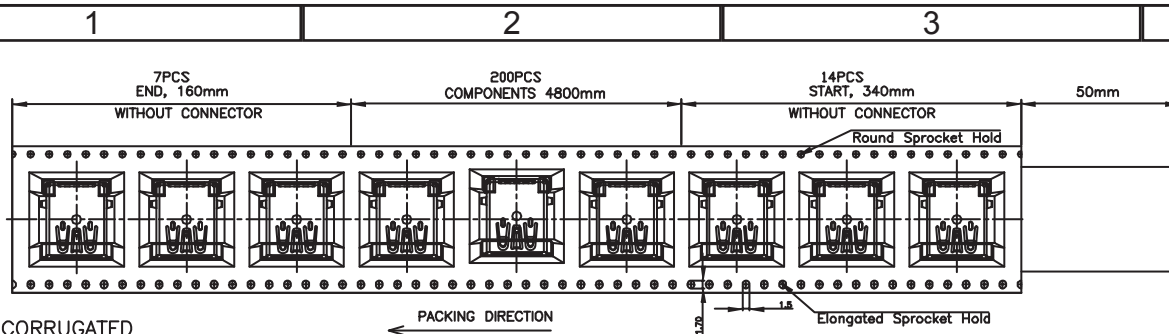
MECHANICAL  
 INSERTION FORCE: 35.0N Max  
 EXTRACTION FORCE: 10.0N min  
 QUALITY CLASS: 5000 MATING CYCLES

SOLDERING  
 WAVE & REFLOW PROCESS AS PER JEDEC J-STD-020D

PACKAGING  
 TAPE & REEL

\* NOTE: THE RECOMMENDED PCB LAYOUT IS FOR AN OPTIMIZED RETENTION FORCE OF CONNECTOR ON PCB BUT IT IMPLIES INSERTION FORCE THAT A LOT OF PICK AND PLACE MACHINES ARE NOT ABLE TO HANDLE. THEREFORE IT MIGHT BE NECESSARY TO DRILL BIGGER HOLES FOR THE CLIPS. PLEASE CHECK THIS CAREFULLY.

RoHS Compliant				PROJECTION: 	GENERAL TOLERANCE .X = +/- 0.2 .XX = +/- 0.15		
G							
F							
E							
D							
C	21-SEP-11	NOTE	GG	APPROVAL: RJ	UNIT: MM	DESCRIPTION: USB 3.0 HORIZONTAL TYPE A  WERI PART NO: 692 121 030 100	SIZE <b>A4</b>
B	10-MAY-11	UL	GG		SCALE:		
A	04-AUG-10	PDF	JP		SHEET: 1/2		
REV	DATE	FILE	BY		DRAW: JOE		

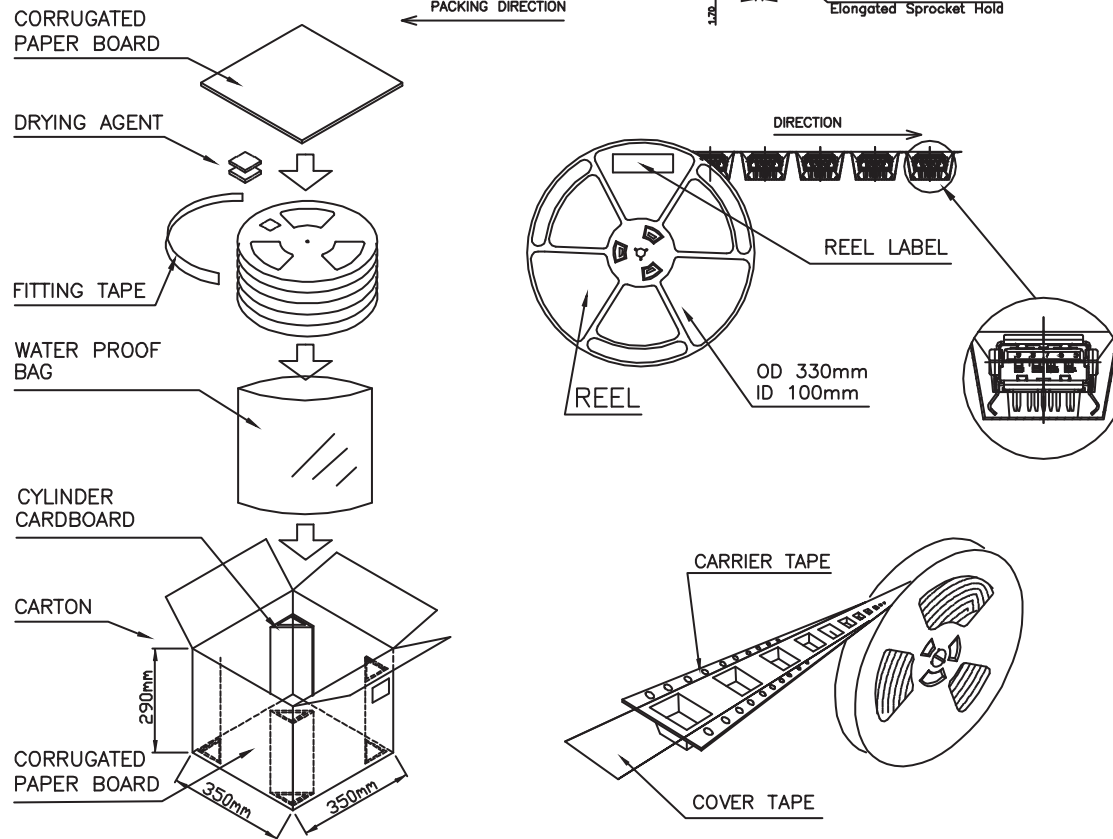


**NOTES**

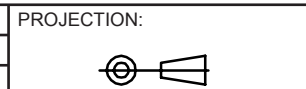
1. MATERIALS: PS
2. 1000PCS/CARTON
3. RoHS  
All Material in According With The RoHS Environment Related Substances List Controlled.
4. PART NO.

**Packing SPEC**

1. Fill in a corrugated paper board
2. Put 5 reels of products into water proof bag, with 2pcs of drying agent.
3. Make all reel label side up.
4. The upper formation puts corrugated
5. As the indication sticking the label at the certain place of carton.



RoHS Compliant			
G			
F			
E			
D			
C			
B			
A			
REV	DATE	FILE	BY



APPROVAL: RJ

GENERAL TOLERANCE  
 .X =  $\pm 0.2$   
 .XX =  $\pm 0.15$

UNIT: MM  
 SCALE:  
 SHEET: 2/2  
 DRAW: JOE



DESCRIPTION: USB 3.0 HORIZONTAL TYPE A  
 WERI PART NO: 692 121 030 100

SIZE  
**A4**