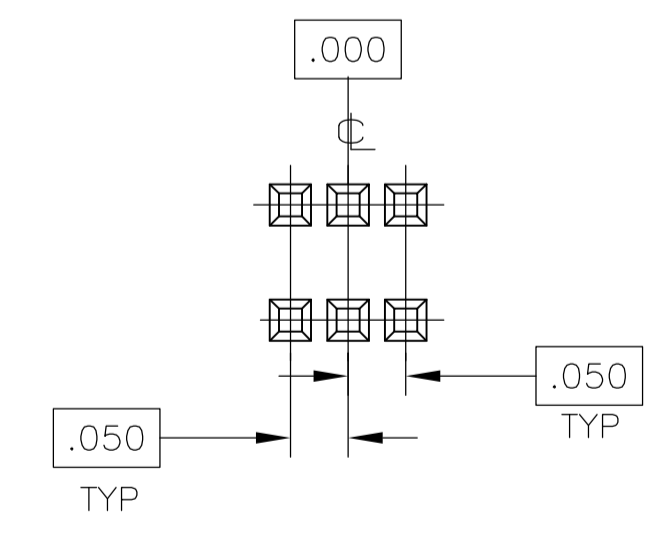
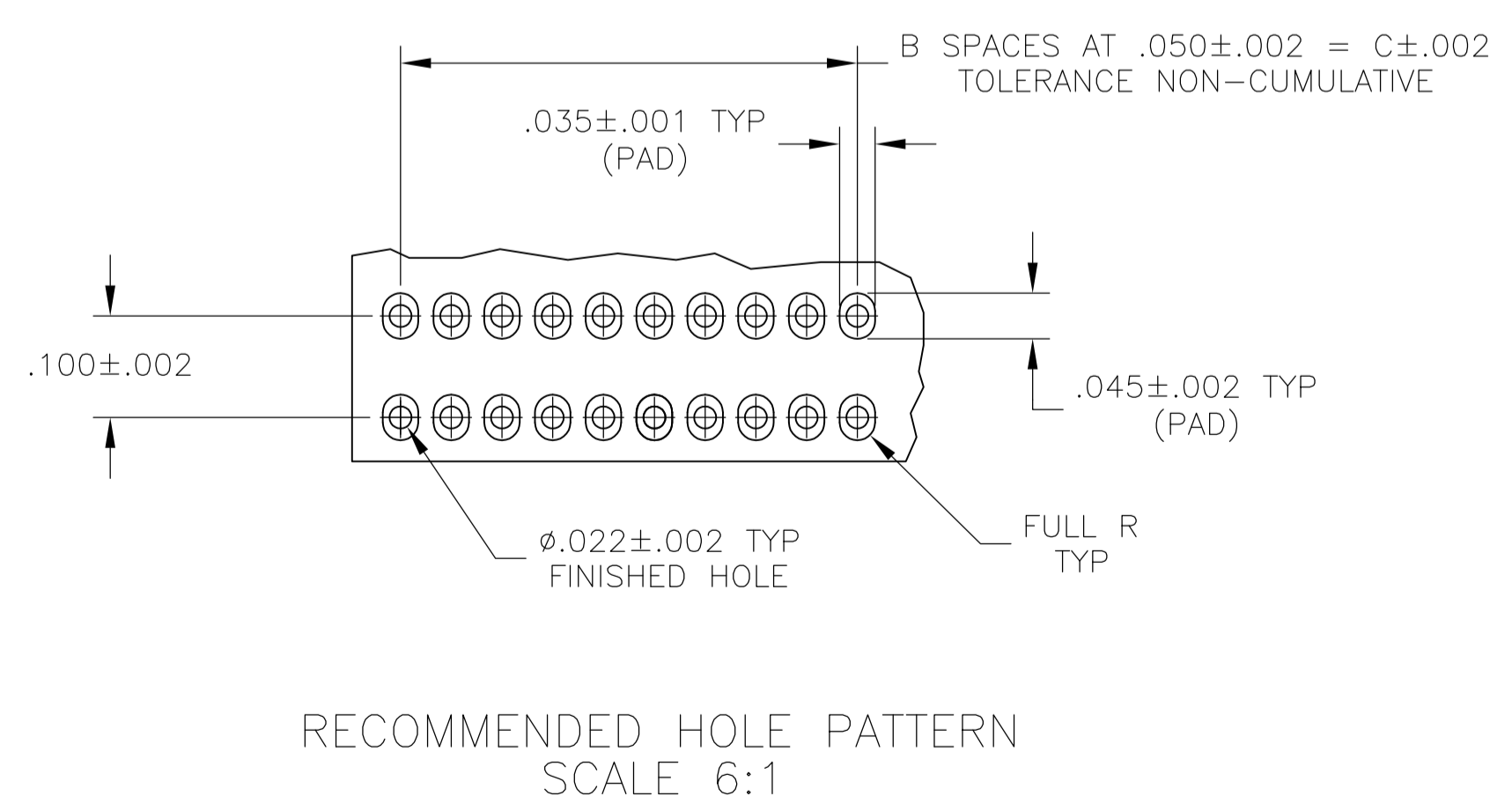
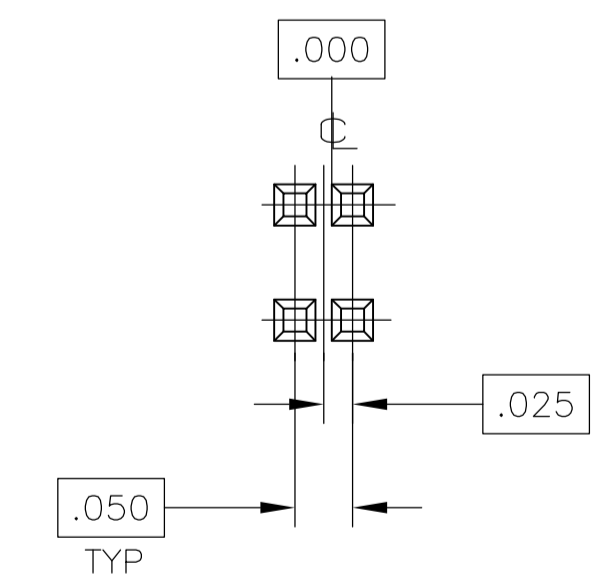


- 1 CONTACT AREA PLATED WITH .000030 GOLD; SOLDER TAILS PLATED WITH .000150 TIN-LEAD, ALL OVER .000050 NICKEL
- 2 POINT OF MEASUREMENT FOR GOLD PLATING THICKNESS IS .030 FROM MATING END OF CONTACT
- 3 HOUSING: THERMOPLASTIC, COLOR-BLACK. POST: COPPER ALLOY.
- 4 THE NOTED DIMENSIONS APPLY AT THE INTERSECTION OF THE POST AND HOUSING.
- 5 WINDOWS ON SIDE OF HOUSING AND RIBS ON BOTTOM OF HOUSING ARE MOLDERS OPTION.
- 6 AMP LOGO PRESENCE AND LOCATION OPTIONAL.
- 7 CONTACT AREA PLATED WITH .000030 GOLD; SOLDER TAILS PLATED WITH .000150 TIN, ALL OVER .000050 NICKEL
- 8 OBSOLETE PARTS: OBSOLETE CIS STREAMLINING PER D.RENAUD/D.SINISI
- 9 PRELIMINARY PART - NOT RELEASED FOR PRODUCTION



BASIC DIMENSIONS FOR EVEN NO OF SPACES (SEE TABLE)



BASIC DIMENSIONS FOR ODD NO OF SPACES (SEE TABLE)

		6	.394	14	9	
7	.300				6-104078-4	
7	1.650	33	1.744	68	6-104078-3	
7, 8	OBSOLETE	1.750	35	1.844	72	6-104078-2
7, 8	OBSOLETE	.350	7	.444	16	6-104078-1
7	.800	16	.894	34	6-104078-0	
7	.550	11	.644	24	5-104078-9	
7	2.450	49	2.544	100	5-104078-8	
7	1.950	39	2.044	80	5-104078-7	
7	1.450	29	1.544	60	5-104078-6	
7	1.200	24	1.294	50	5-104078-5	
7	.700	14	.794	30	5-104078-4	
7	.200	4	.294	10	5-104078-3	
7	.950	19	1.044	40	5-104078-2	
7	.450	9	.544	20	5-104078-1	
1	.300	6	.394	14	9 1-104078-4	
1	1.650	33	1.744	68	1-104078-3	
1	OBSOLETE	1.750	35	1.844	72	1-104078-2
1	OBSOLETE	.350	7	.444	16	1-104078-1
1	.800	16	.894	34	1-104078-0	
1	.550	11	.644	24	104078-9	
1	2.450	49	2.544	100	104078-8	
1	1.950	39	2.044	80	104078-7	
1	1.450	29	1.544	60	104078-6	
1	1.200	24	1.294	50	104078-5	
1	.700	14	.794	30	104078-4	
1	.200	4	.294	10	104078-3	
1	.950	19	1.044	40	104078-2	
1	.450	9	.544	20	104078-1	
		C	B	A	NO OF POS	PART NUMBER

THIS DRAWING IS A CONTROLLED DOCUMENT. **STE** TE Connectivity

DIMENSIONS: INCHES. TOLERANCES UNLESS OTHERWISE SPECIFIED:

0. PLC	± .-
1. PLC	± .-
2. PLC	± .-
3. PLC	± .005
4. PLC	± .-
ANGLES	± .-

MATERIAL: 3. FINISH: SEE TABLE. WEIGHT: 2.

APVD: T. KOCHER. NAME: RECEPTACLE ASSEMBLY, VERTICAL, AMPMODU® System 50. PRODUCT SPEC: 108-1093. APPLICATION SPEC: 114-25031. SIZE: A1. CAGE CODE: 00779. DRAWING NO: 104078. RESTRICTED TO: CUSTOMER DRAWING. SCALE: 4:1. SHEET: 1 OF 1. REV: U3.