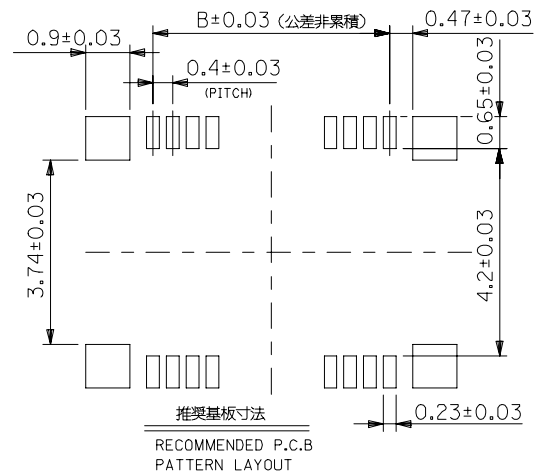
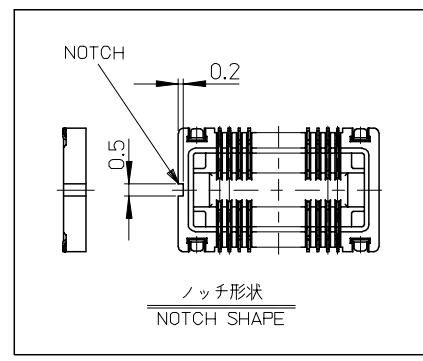


**注記**  
**NOTES**

- 材質 MATERIAL  
ハウジング : 液晶ポリマー-UL94V-0  
HOUSING : LIQUID CRYSTAL POLYMER [LCP]  
UL94V-0  
ターミナル : 銅合金  
TERMINAL : COPPER ALLOY  
ネール : 銅合金  
NAIL : COPPER ALLOY
- メッキ仕様 PLATING  
接点部 : 金メッキ 0.1μm  
CONTACT AREA : GOLD PLATING 0.1μm  
半田付け部 : 金メッキ 0.1μm  
SOLDER TAIL AREA : GOLD PLATING 0.1μm  
下地メッキ : ニッケルメッキ 1.0μm  
UNDER PLATING : NICKEL PLATING 1.0μm  
ネール : 銅メッキ 1.0μm  
NAIL : TIN PLATING 1.0μm  
下地メッキ : ニッケルメッキ 0.5μm  
UNDER PLATING : NICKEL PLATING 0.5μm
- テール及びネールの平坦度は 0.1 以下  
TAIL AND NAIL COPLANARITY : 0.1 MAX.
- 嵌合相手 : 500027 シリーズ  
MATE WITH : 500027 SERIES
- 本製品は 500024-\*\*\*9 の鉛フリー品である。  
THIS PRODUCT IS LEAD FREE OF 50024-\*\*\*9



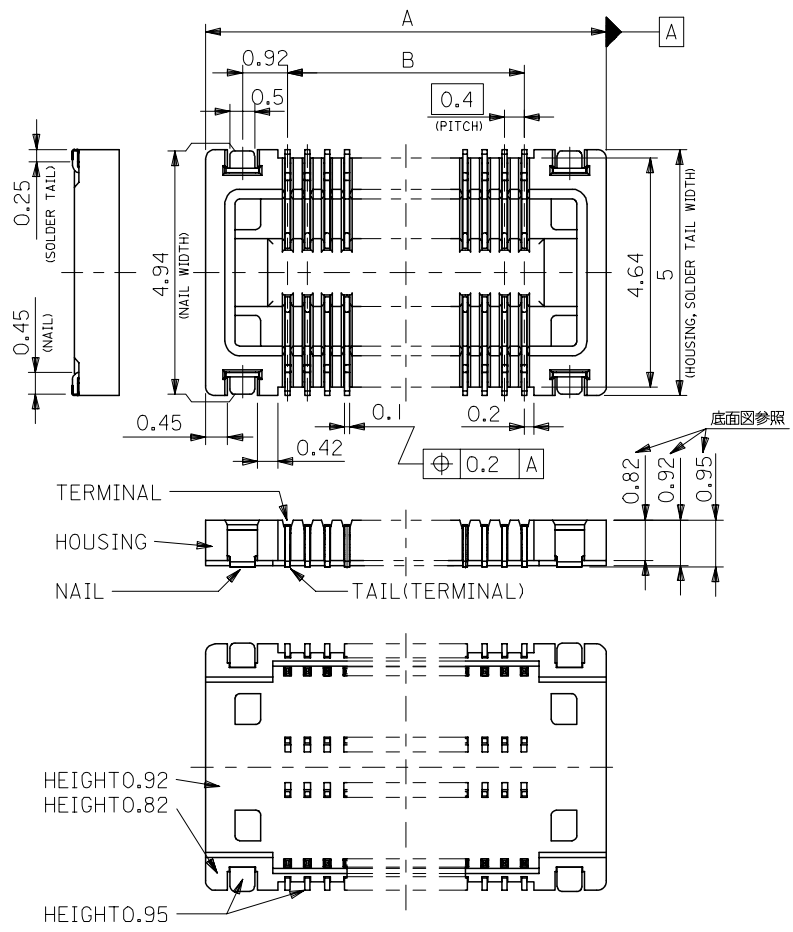
18.94	15.6	500024-8008	—#—	80
16.94	13.6	500024-7008	—#—	70
15.74	12.4	500024-6408	—#—	64
14.94	11.6	500024-6008	—#—	60
12.94	9.6	500024-5008	—#—	50
10.94	7.6	500024-4008	○	40
9.74	6.4	500024-3408	—#—	34
8.94	5.6	500024-3008	—#—	30
A	B	MATERIAL No.	NOTCH	CIRCUIT

500024-***8		MODEL NO.	
SCALE ---		DESIGN UNITS METRIC	
DRAWN BY H. SHIMABUKUR DATE '04/02/18		TITLE 0.4MM PITCH B/B CONN H=0.95 REC HSG ASSY -LEAD FREE-	
CHECKED BY K. TOJO DATE '04/02/18		APPROVED BY M. SASAO DATE '04/02/18	
MATERIAL NO. SEE CHART		DOCUMENT NO. SD-500024-018	
DRAFT WHERE APPLICABLE MUST REMAIN WITHIN DIMENSIONS		SHEET NO. 1 OF 2	

REVISED	DESCRIPTION
EC NO: J2005-2190	2005/02/02
DRWN:MNABEI	2005/02/02
CHKD:KTOJO	2005/02/02
APPR:NUKITA	2005/02/02

GENERAL TOLERANCES (UNLESS SPECIFIED)	
10 UNDER	±0.2
10 OVER 30 UNDER	±0.25
30 OVER	±0.3
ANGULAR	±3 °

DIMENSION STYLE MM ONLY	
THIRD ANGLE PROJECTION	



10 9 8 7 6 5 4 3 2 1

F

F

E

E

D

D

C

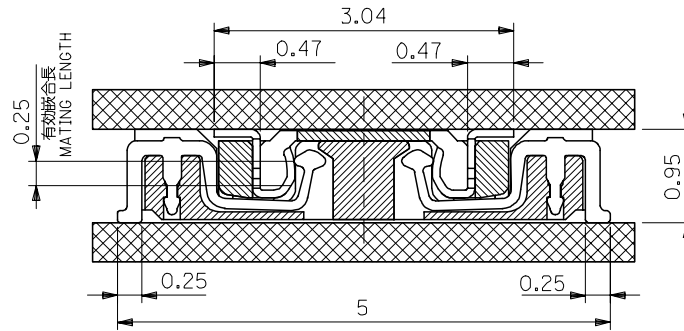
C

B

B

A

A



嵌合断面図 (参考)  
MATED DRAWING

500024-\*\*\*8 MODEL NO.

REVISED EC NO: J2005-2190 DRWN: NABEI 2005/02/02 CHKD: KTOJO 2005/02/02 APPR: NUKITA 2005/02/02 REV A	GENERAL TOLERANCES (UNLESS SPECIFIED)		DIMENSION STYLE MM ONLY		SCALE ---	DESIGN UNITS METRIC	THIRD ANGLE PROJECTION
	10 UNDER	±0.2	DRAWN BY H. SHIMABUKUR		DATE '04/02/18	TITLE 0.4MM PITCH B/B CONN H=0.95 REC HSG ASSY -LEAD FREE-	
	10 OVER 30 UNDER	±0.25	CHECKED BY K. TOJO		DATE '04/02/18	APPROVED BY M. SASAO	
	30 OVER	±0.3	APPROVED BY M. SASAO		DATE '04/02/18	DOCUMENT NO. SD-500024-018	
	ANGULAR ±3 °		MATERIAL NO. SEE CHART		DOCUMENT NO. SD-500024-018		SHEET NO. 2 OF 2
DRAFT WHERE APPLICABLE MUST REMAIN WITHIN DIMENSIONS		SIZE A3		THIS DRAWING CONTAINS INFORMATION THAT IS PROPRIETARY TO MOLEX INCORPORATED AND SHOULD NOT BE USED WITHOUT WRITTEN PERMISSION			

9

8

7

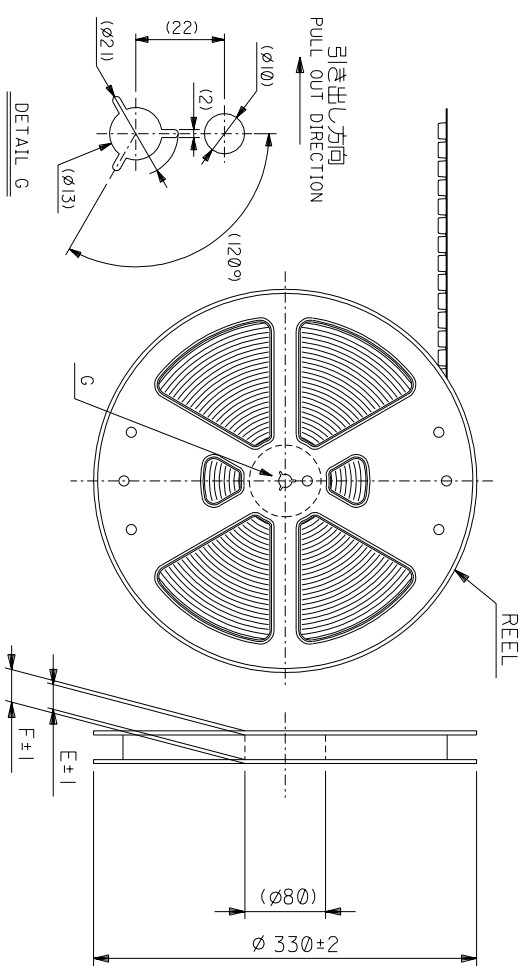
6

5

4

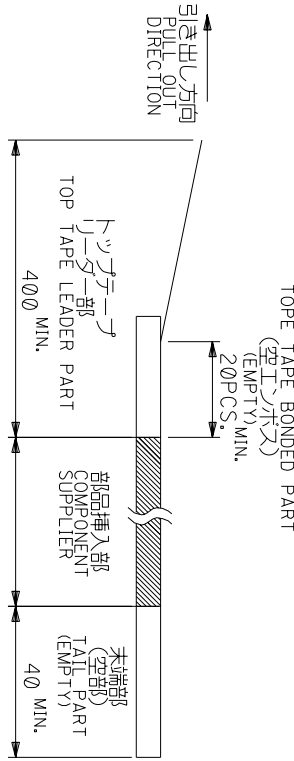
3

2



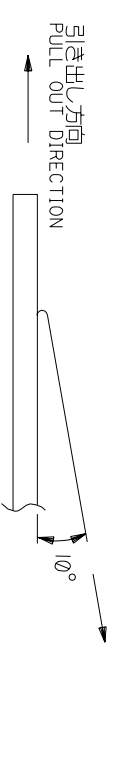
注)

- 製品番号500024-\*\*\*8 詳細寸法については、製品単体図面を参照下さい。  
IN THE PACKAGE PART NUMBER 500024-\*\*\*8 DETAILED DIMENSIONS, SEE SALES DRAWING FOR CONNECTOR.
- 梱包数量：2000個/リール  
NUMBER OF CONNECTORS : 2000 PCS/REEL.
- リールテープ長さ  
LEAD TAPING LENGTH



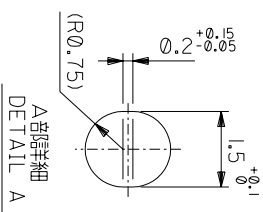
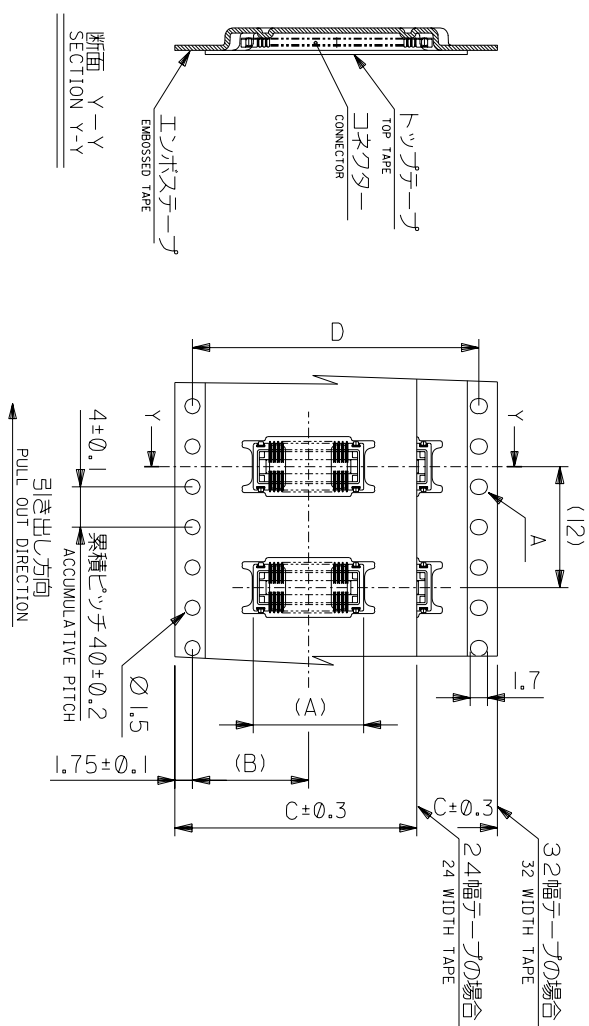
- トップテープの剥離強度。(剥離方向は下図参照)  
PEELING OFF FORCE OF TOP TAPE (PELLING DIRECTION AS SHOWN IN FOLLOWING FIGURE.)  
0. 1~1. 3N {10~130g }

尚、本規格値は、出荷時に適用。  
THIS REQUIREMENT SHOULD BE APPLIED AT SHIPMENT.  
(但し、輸送時に剥離が発生しない事。)  
(PEEL OFF SHOULD NOT BE ALLOWED DURING TRANSPORTATION.)



- 材料  
MATERIAL  
キャリアテープ：ポリプロピレン (PP)  
CARRIER TAPE: POLYPROPYLENE (PP)  
トップテープ：PET, PE, PEF  
リール：ポリスチレン  
REEL : POLYSTYRENE
- 本製品は 500024-\*\*\*01 の鉛フリー品である。  
THIS PRODUCT IS LEAD FREE OF 500024-\*\*\*01

8	EC NO. DRWN: CH'K: APPR:	EC NO. DRWN: CH'K: APPR:	EC NO. DRWN: CH'K: APPR:	EC NO. DRWN: CH'K: APPR:	REV DESCRIPTION	MATERIAL 材料	GENERAL TOLERANCES: (UNLESS SPECIFIED) 公差	SCALE NONE	DESIGN UNITS mm □ INCH	TITLE: 500024-***8 -LEAD FREE- TAPING PACKAGE	THIRD ANGLE PROJECTION	DIMENSIONS: mm □ INCH mm □ INCH mm □ INCH	MODEL NO.	SHT REV
7	EC NO. DRWN: CH'K: APPR:	EC NO. DRWN: CH'K: APPR:	EC NO. DRWN: CH'K: APPR:	EC NO. DRWN: CH'K: APPR:	0 RELEASED EC NO.:J2004-2492 DRWN:H.SHIMABUKURO CH'K: K.TOJO APPR: MSASAO	注記参照 SEE NOTES	10 UNDER ±0.2 30 OVER ±0.25 30以上 ±0.3	DRAWN BY & DATE H.SHIMABUKURO 04/2/18 CHECKED BY & DATE K.TOJO 04/2/18	APPROVED BY & DATE H. Sakaguchi 04/2/18	MOLEX INCORPORATED	MOLEX	500024-***71	1 OF 2	
6	EC NO. DRWN: CH'K: APPR:	EC NO. DRWN: CH'K: APPR:	EC NO. DRWN: CH'K: APPR:	EC NO. DRWN: CH'K: APPR:	0 RELEASED EC NO.:J2004-2492 DRWN:H.SHIMABUKURO CH'K: K.TOJO APPR: MSASAO	注記参照 SEE NOTES	10 UNDER ±0.2 30 OVER ±0.25 30以上 ±0.3	DRAWN BY & DATE H.SHIMABUKURO 04/2/18 CHECKED BY & DATE K.TOJO 04/2/18	APPROVED BY & DATE H. Sakaguchi 04/2/18	MOLEX INCORPORATED	MOLEX	500024-***8	2 OF 2	
5	EC NO. DRWN: CH'K: APPR:	EC NO. DRWN: CH'K: APPR:	EC NO. DRWN: CH'K: APPR:	EC NO. DRWN: CH'K: APPR:	0 RELEASED EC NO.:J2004-2492 DRWN:H.SHIMABUKURO CH'K: K.TOJO APPR: MSASAO	注記参照 SEE NOTES	10 UNDER ±0.2 30 OVER ±0.25 30以上 ±0.3	DRAWN BY & DATE H.SHIMABUKURO 04/2/18 CHECKED BY & DATE K.TOJO 04/2/18	APPROVED BY & DATE H. Sakaguchi 04/2/18	MOLEX INCORPORATED	MOLEX	500024-019	SIZE B	
4	EC NO. DRWN: CH'K: APPR:	EC NO. DRWN: CH'K: APPR:	EC NO. DRWN: CH'K: APPR:	EC NO. DRWN: CH'K: APPR:	0 RELEASED EC NO.:J2004-2492 DRWN:H.SHIMABUKURO CH'K: K.TOJO APPR: MSASAO	注記参照 SEE NOTES	10 UNDER ±0.2 30 OVER ±0.25 30以上 ±0.3	DRAWN BY & DATE H.SHIMABUKURO 04/2/18 CHECKED BY & DATE K.TOJO 04/2/18	APPROVED BY & DATE H. Sakaguchi 04/2/18	MOLEX INCORPORATED	MOLEX	500024-019	SIZE B	
3	EC NO. DRWN: CH'K: APPR:	EC NO. DRWN: CH'K: APPR:	EC NO. DRWN: CH'K: APPR:	EC NO. DRWN: CH'K: APPR:	0 RELEASED EC NO.:J2004-2492 DRWN:H.SHIMABUKURO CH'K: K.TOJO APPR: MSASAO	注記参照 SEE NOTES	10 UNDER ±0.2 30 OVER ±0.25 30以上 ±0.3	DRAWN BY & DATE H.SHIMABUKURO 04/2/18 CHECKED BY & DATE K.TOJO 04/2/18	APPROVED BY & DATE H. Sakaguchi 04/2/18	MOLEX INCORPORATED	MOLEX	500024-019	SIZE B	
2	EC NO. DRWN: CH'K: APPR:	EC NO. DRWN: CH'K: APPR:	EC NO. DRWN: CH'K: APPR:	EC NO. DRWN: CH'K: APPR:	0 RELEASED EC NO.:J2004-2492 DRWN:H.SHIMABUKURO CH'K: K.TOJO APPR: MSASAO	注記参照 SEE NOTES	10 UNDER ±0.2 30 OVER ±0.25 30以上 ±0.3	DRAWN BY & DATE H.SHIMABUKURO 04/2/18 CHECKED BY & DATE K.TOJO 04/2/18	APPROVED BY & DATE H. Sakaguchi 04/2/18	MOLEX INCORPORATED	MOLEX	500024-019	SIZE B	
1	EC NO. DRWN: CH'K: APPR:	EC NO. DRWN: CH'K: APPR:	EC NO. DRWN: CH'K: APPR:	EC NO. DRWN: CH'K: APPR:	0 RELEASED EC NO.:J2004-2492 DRWN:H.SHIMABUKURO CH'K: K.TOJO APPR: MSASAO	注記参照 SEE NOTES	10 UNDER ±0.2 30 OVER ±0.25 30以上 ±0.3	DRAWN BY & DATE H.SHIMABUKURO 04/2/18 CHECKED BY & DATE K.TOJO 04/2/18	APPROVED BY & DATE H. Sakaguchi 04/2/18	MOLEX INCORPORATED	MOLEX	500024-019	SIZE B	



18.94	14.2	28.4	28.4	33.4	37.4	500024-8008	500024-8071	80
16.94	14.2	28.4	28.4	33.4	37.4	500024-7008	500024-7071	70
15.74	14.2	28.4	28.4	33.4	37.4	500024-6408	500024-6471	64
14.94	14.2	28.4	28.4	33.4	37.4	500024-6008	500024-6071	60
12.94	11.5	—	—	—	—	500024-5008	500024-5071	50
10.94	11.5	—	—	25.4	29.4	500024-4008	500024-4071	40
9.74	11.5	—	—	—	—	500024-3408	500024-3471	34
8.94	11.5	—	—	—	—	500024-3008	500024-3071	30
(A)	(B)	C	D	E	F	CONNECTOR	MATERIAL NO.	CIRCUIT

GENERAL TOLERANCES: (UNLESS SPECIFIED)		SCALE	DESIGN UNITS	MODEL NO.	DIMENSIONS:	SHT	REV
10 UNDER	+0.2	NONE	<input checked="" type="checkbox"/> mm <input type="checkbox"/> INCH	500024-***71	mm <input type="checkbox"/> INCH	REVISE ON	CAD ONLY
30 OVER	+0.25	DRAWN BY & DATE		THIRD ANGLE PROJECTION	mm <input checked="" type="checkbox"/> INCH	SIZE	B
30 OVER	+0.3	H. Saitoh 04/22/17			mm ONLY	SHEET NO.	2
ANGLE	±3°	CHECKED BY & DATE		TITLE:		REVISION	
		K. TOJO 04/22/17		500024-***8 -LEAD FREE-TAPING PACKAGE		CAD ONLY	

MATERIAL	SEE NOTES	APPROVED BY & DATE	04/22/17	MATERIAL NO.	SD-500024-019	DRAWING NO.	SD-500024-019	SHEET NO.	2
FINISH	SEE NOTES	H. Saitoh	04/22/17	MOLEX INCORPORATED					
WIRE RANGE	SEE NOTES	K. TOJO	04/22/17	MOLEX INCORPORATED					
INS. RANGE	SEE NOTES			SEE CHART					

REV	DESCRIPTION
1	INITIAL RELEASE

EC NO. DRWN: CH'K: APPR:	EC NO. DRWN: CH'K: APPR:	EC NO. DRWN: CH'K: APPR:	EC NO. DRWN: CH'K: APPR:	EC NO. DRWN: CH'K: APPR:
-----------------------------------	-----------------------------------	-----------------------------------	-----------------------------------	-----------------------------------

8	7	6	5	4	3	2	1
---	---	---	---	---	---	---	---