

**PLEASE CHECK WWW.MOLEX.COM FOR LATEST PART INFORMATION**

**Part Number:** [0367180074](#)  
**Status:** **Active**  
**Overview:** [din\\_41612](#)  
**Description:** 2.54mm (.100") Pitch DIN 41612 Header, Style R, Male, Vertical, Through Hole, 0.6µm (24µ") Selective Gold (Au), PC Tail Length 4.50mm (.177"), 32 Circuits, Lead free

**Documents:**

[Drawing \(PDF\)](#) [RoHS Certificate of Compliance \(PDF\)](#)  
[Product Specification PS-36511-001 \(PDF\)](#)

**General**

Product Family	Backplane Connectors
Series	<a href="#">36718</a>
Application	Daughtercard
Comments	No Mounting Clip
Component Type	PCB Header
Overview	<a href="#">din_41612</a>
Product Name	IEC 603-2/DIN 41612
Style	R

**Physical**

Circuits (Loaded)	32
Circuits (maximum)	32
Circuits Detail	2,4,6,...32; a+c
Color - Resin	Gray
Durability (mating cycles max)	400
First Mate / Last Break	No
Guide to Mating Part	No
Keying to Mating Part	Yes
Material - Metal	Brass
Material - Plating Mating	Gold
Material - Plating Termination	Tin
Material - Resin	Polyester
Number of Columns	16
Number of Pairs	Open Pin Field
Number of Rows	2
Orientation	Vertical
PC Tail Length (in)	0.177 In
PC Tail Length (mm)	4.50 mm
PCB Locator	No
PCB Retention	Yes
PCB Thickness Recommended (in)	0.063 In
PCB Thickness Recommended (mm)	1.60 mm
Packaging Type	Carton
Pitch - Mating Interface (in)	0.100 In
Pitch - Mating Interface (mm)	2.54 mm
Pitch - Term. Interface (in)	0.100 In
Pitch - Term. Interface (mm)	2.54 mm
Plating min: Mating (µin)	24
Plating min: Mating (µm)	0.60
Polarized to PCB	Yes
Stackable	No
Surface Mount Compatible (SMC)	No
Temperature Range - Operating	-55°C to +125°C
Termination Interface: Style	Through Hole

**EU RoHS**

**ELV and RoHS  
Compliant**  
**REACH SVHC  
Not Reviewed**  
**Halogen-Free  
Status**

**China RoHS**



**Not Reviewed**

**Need more information on product environmental compliance?**

Email [productcompliance@molex.com](mailto:productcompliance@molex.com)  
For a multiple part number RoHS Certificate of Compliance, [click here](#)

Please visit the [Contact Us](#) section for any non-product compliance questions.

**Search Parts in this Series**

[36718Series](#)

**Electrical**

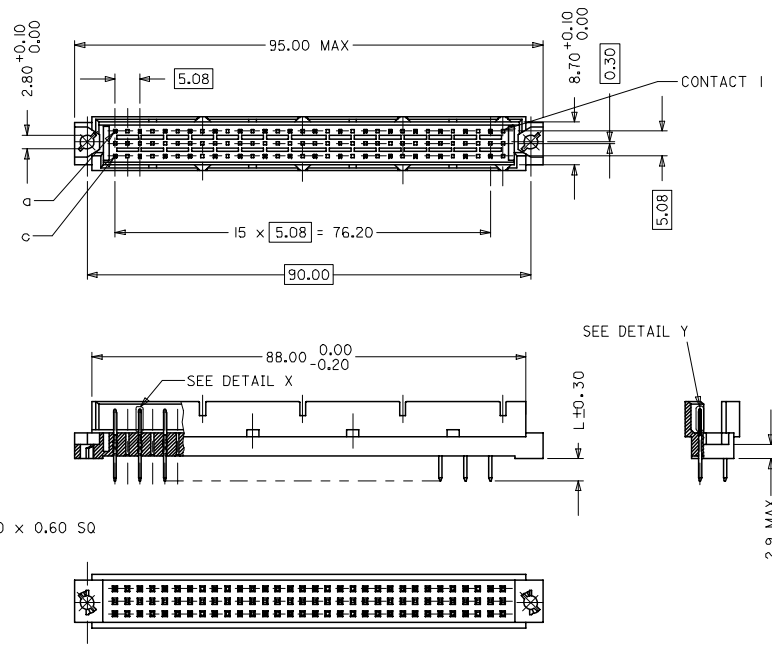
Current - Maximum per Contact	1A
Data Rate	622.0 Mbps
Voltage - Maximum	1550V (RMS)

**Material Info****Reference - Drawing Numbers**

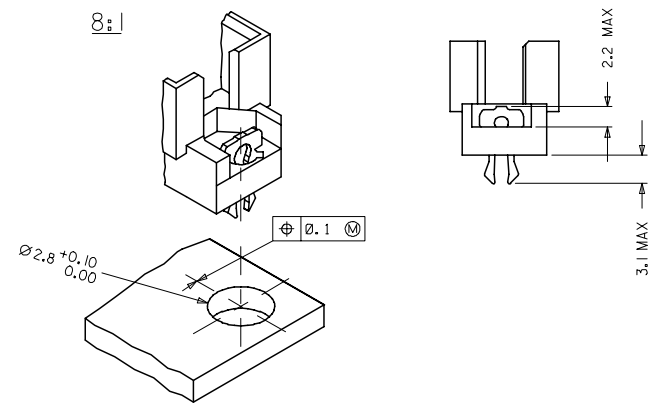
Packaging Specification	PK-36511-001
Product Specification	PS-36511-001
Sales Drawing	SD-36718-074

This document was generated on 05/13/2010

**PLEASE CHECK [WWW.MOLEX.COM](http://WWW.MOLEX.COM) FOR LATEST PART INFORMATION**

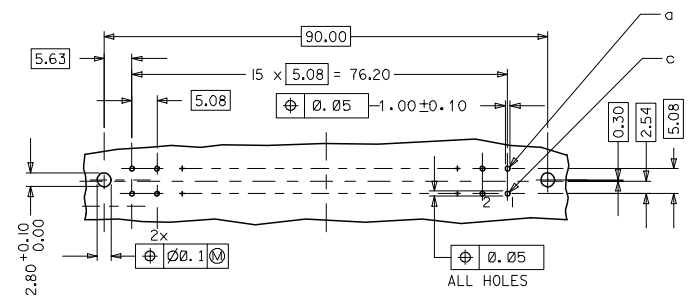


WITH MOUNTING CLIPS



- NOTES:
- MATERIALS: THERMOPLASTIC POLYESTER, GLASS FILLED, UL94V-0, COLOUR: PEBBLE GREY RAL 7032  
TERMINAL - BRASS  
MOUNTING CLIP: STEEL
  - FINISH: TERMINAL:-  
CONTACT AREA:
    - PERFORMANCE LEVEL 1: SELECTIVE GOLD (Au), THICKNESS = 1.1 MICROMETER OVER NICKEL, THICKNESS = 1.25 MICROMETER
    - PERFORMANCE LEVEL 2: SELECTIVE GOLD (Au), THICKNESS = 0.6 MICROMETER OVER NICKEL, THICKNESS = 1.25 MICROMETER
    - PERFORMANCE LEVEL 3: SELECTIVE GOLD (Au), THICKNESS = 0.3 MICROMETER OVER NICKEL, THICKNESS = 1.25 MICROMETER
 TERMINATION AREA:  
SELECTIVE TIN, THICKNESS = 2.5 MICROMETER  
OVER NICKEL, THICKNESS = 1.25 MICROMETER OVERALL
  - MOUNTING CLIP:-  
TIN (Sn), THICKNESS = 5-10 MICROMETER,  
OVER NICKEL (Ni), THICKNESS = 2.5 MICROMETER
  - FOR NON MOUNTING CLIP OPTION, CONNECTOR TO BE SECURED WITH  
RIVETS: 2 TUBULAR RIVETS 2.5 x 0.3 ... DIN 7340  
SCREWS: 2 CHEESEHEAD SCREWS M2.5 x ... DIN 84 AND 2 HEXAGONAL NUTS M2.5 DIN 934
  - MATERIAL NUMBER, BATCH CODE, UL AND CSA MARKING TO BE PRINTED ON THE CONNECTOR
  - CUT FACE OF TIP WITHOUT PLATING PERMITTED
  - PRODUCT SPECIFICATION PS : 36511-001

RECOMMENDED PCB LAYOUT  
COMPONENT SIDE

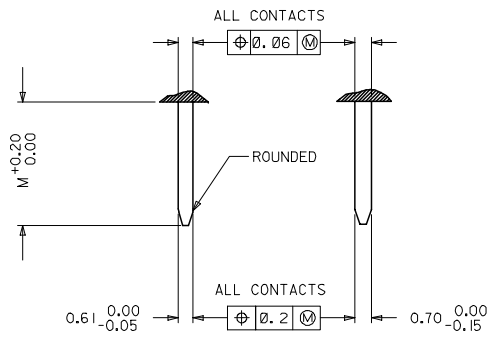


RoHS COMPLIANT

<b>ENTER DESCRIPTION</b> ELC INC. 12007-0468 DRAWING: BINARY 2007/06/23 CHECKED BY: CHIKKAPRASAD 2007/06/23 APPROVED BY: CHIKKAPRASAD 2007/06/23	<b>QUALITY SYMBOLS</b> ▽=0 ▽=0 ▽=0	<b>GENERAL TOLERANCES (UNLESS SPECIFIED)</b>		<b>DIMENSION STYLE</b> MM ONLY		SCALE 2:1	DESIGN UNITS METRIC	THIRD ANGLE PROJECTION
		4 PLACES ± --- ± --- 3 PLACES ± 0.05 ± --- 2 PLACES ± 0.1 ± --- 1 PLACE ± 0.15 ± ---	INCH ± --- ± --- ± --- ± ---	DRAWN BY SS DATE 1999/09/24	CHECKED BY G J LOWE DATE 1999/09/24	TITLE ASSEMBLY, DIN 41612 R MALE, 32 POS SOLDER		MATERIAL NO. SEE CHART
DRAFT WHERE APPLICABLE MUST REMAIN WITHIN DIMENSIONS		SIZE A 1		THIS DRAWING CONTAINS INFORMATION THAT IS PROPRIETARY TO MOLEX INCORPORATED AND SHOULD NOT BE USED WITHOUT WRITTEN PERMISSION				SHEET NO. 1 OF 2

20	19	18	17	16	15	14	13	12	11	10	9	8	7	6	5	4	3	2	1
MATERIAL No.	MOLEX ENG No.	C-DOT PART NO.	PERF LEVEL	PLATING	CONTACT SEQUENCE/ROW	DIM "L" MM	MOUNTING CLIP	FMLB											
367180074	MM-B1502-R968-263	MCC-RUMSST32-052	2	AU + NI	2,4,6...32 a+c	4,5	NO	NO											

DETAILY      DETAILX



PRE MATING CONTACTS	5.4
NORMAL CONTACTS	4.8
	M

RoHS COMPLIANT

<b>ENTER DESCRIPTION</b> ELC.MC1.12007.0468 DRAWING: BINARY 2007/06/23 CHK:KPRASAD 2007/06/23 APPR:KPRASAD 2007/06/23	<b>QUALITY SYMBOLS</b> ▽=0 ▽=0	<b>GENERAL TOLERANCES (UNLESS SPECIFIED)</b>		<b>DIMENSION STYLE</b> MM ONLY	<b>SCALE</b> 2:1	<b>DESIGN UNITS</b> METRIC	THIRD ANGLE PROJECTION		
		4 PLACES ± --- ± --- 3 PLACES ± 0.05 ± --- 2 PLACES ± 0.1 ± --- 1 PLACE ± 0.15 ± ---	INCH ± --- ± --- ± --- ± ---	<b>DRAWN BY</b> SS	<b>DATE</b> 1999/09/24	<b>TITLE</b> ASSEMBLY, DIN 41612 R MALE, 32 POS SOLDER			
		<b>DRAFT WHERE APPLICABLE MUST REMAIN WITHIN DIMENSIONS</b>		<b>CHECKED BY</b> G.J.LOWE	<b>DATE</b> 1999/09/24	<b>APPROVED BY</b> G.J.LOWE			
		<b>SEE CHART</b>		<b>DATE</b> 1999/09/24	<b>MATERIAL NO.</b> SEE CHART				
		<b>ANGULAR ± 2°</b>		<b>MATERIAL NO.</b> SEE CHART		<b>DOCUMENT NO.</b> SD-36718-074			
				<b>SIZE</b> A 1		<b>SHEET NO.</b> 2 OF 2			