

PLEASE CHECK WWW.MOLEX.COM FOR LATEST PART INFORMATION

Part Number: [0475310011](#)
Status: **Active**
Overview: [battery connectors](#)
Description: 2.00mm (.079") Pitch Battery Connector, SMT, Contact Width 0.67mm (.026"), with Mylar, 4 Circuits

Documents:

[3D Model](#) [Product Specification PS-47531-001 \(PDF\)](#)
[Drawing \(PDF\)](#) [RoHS Certificate of Compliance \(PDF\)](#)

General

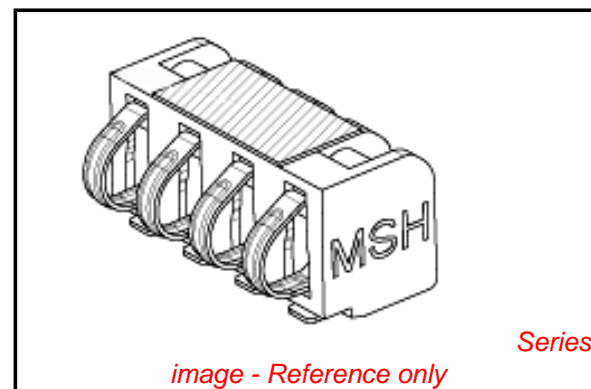
Product Family	PCB Headers
Series	47531
Application	Board-to-Board
Overview	battery connectors
Product Name	Battery Connector

Physical

Breakaway	No
Circuits (Loaded)	4
Circuits (maximum)	4
Durability (mating cycles max)	10,000
First Mate / Last Break	No
Glow-Wire Compliant	No
Guide to Mating Part	No
Keying to Mating Part	None
Lock to Mating Part	None
Material - Metal	Copper Alloy
Material - Plating Mating	Gold
Material - Plating Termination	Gold
Material - Resin	High Temperature Thermoplastic
Number of Rows	1
Orientation	Right Angle
PC Tail Length (in)	0.000 In
PC Tail Length (mm)	0.00 mm
PCB Locator	No
PCB Retention	None
Packaging Type	Embossed Tape on Reel
Pitch - Mating Interface (in)	0.079 In
Pitch - Mating Interface (mm)	2.00 mm
Pitch - Term. Interface (in)	0.079 In
Pitch - Term. Interface (mm)	2.00 mm
Plating min: Mating (µin)	30
Plating min: Mating (µm)	0.75
Plating min: Termination (µin)	3
Plating min: Termination (µm)	0.08
Polarized to Mating Part	Yes
Polarized to PCB	No
Shrouded	No
Stackable	Yes
Temperature Range - Operating	-40°C to +85°C
Termination Interface: Style	Surface Mount

Electrical

Current - Maximum per Contact	1A
Voltage - Maximum	200V (RMS)



EU RoHS

ELV and RoHS Compliant
REACH SVHC Contains SVHC: No
Halogen-Free Status

China RoHS



Need more information on product environmental compliance?

Email productcompliance@molex.com
 For a multiple part number RoHS Certificate of Compliance, [click here](#)

Please visit the [Contact Us](#) section for any non-product compliance questions.

Search Parts in this Series
[47531Series](#)

Solder Process Data

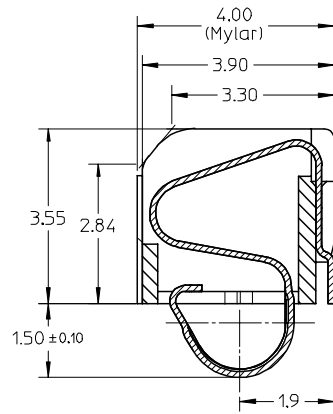
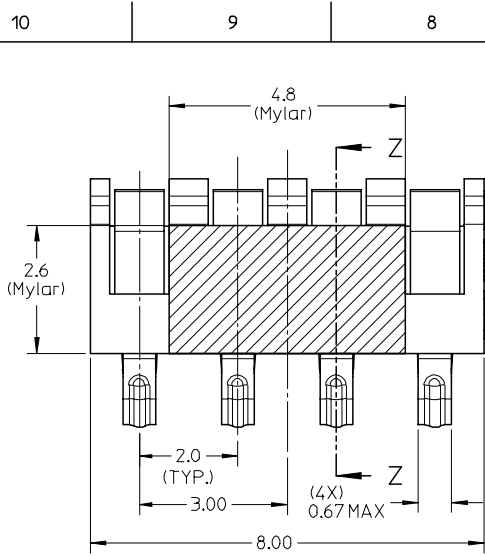
Duration at Max. Process Temperature (seconds)	3
Lead-free Process Capability	Reflow Capable (SMT only)
Max. Cycles at Max. Process Temperature	3
Process Temperature max. C	250

Material Info**Reference - Drawing Numbers**

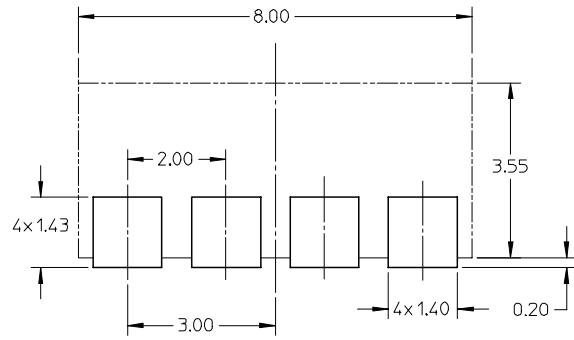
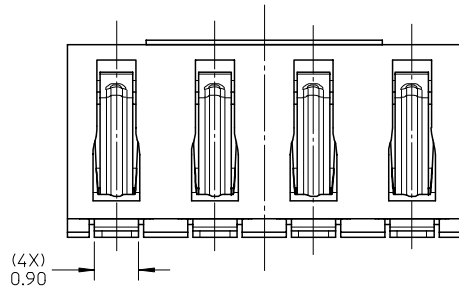
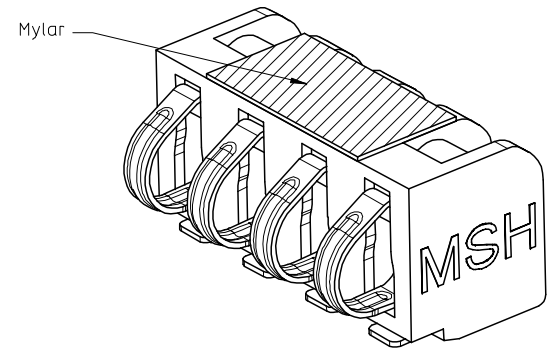
Packaging Specification	PK-47531-001
Product Specification	PS-47531-001
Sales Drawing	SD-47531-001

This document was generated on 05/26/2010

PLEASE CHECK WWW.MOLEX.COM FOR LATEST PART INFORMATION



SECTION Z-Z



RECOMMENDED PCB LAYOUT

NOTE:

- MATERIAL:
HOUSING: LCP, 30% GLASS-FILLED, UL 94V-0. COLOR IS BLACK
TERMINAL: COPPER ALLOY, 0.12 MM BeCu
- FINISH:
CONTACT AREA: 30-50 MICRO INCHES GOLD PLATING OVER 50-140 MICRO INCHES NICKEL
SOLDER AREA: 3 MICRO MIN GOLD FLASH OVER 50-140 MICRO INCHES NICKEL
REST AREA: 50-140 MICRO INCHES NICKEL
- RECOMMENDED WORKING RANGE 1.05 ~ 0.55 MM.
- COPLANARITY: 0.1 MAX AMONG THESE SOLDER TAILS.
- PRODUCT SPECIFICATION: PS-47531-001

475310011	4 PIN BATTERY CONNECTOR WITHOUT MYLAR		
475310001	4 PIN BATTERY CONNECTOR WITH MYLAR		
PART NUMBER		DESCRIPTION	
DIMENSION STYLE MM ONLY		SCALE 10:1	DESIGN UNITS METRIC
		THIRD ANGLE PROJECTION	
DRAWN BY YLZHU02		DATE 2007/01/30	
CHECKED BY XIXU		DATE 2007/01/31	
APPROVED BY JNCHEN		DATE 2007/01/31	
MATERIAL NO.		DOCUMENT NO. SD-47531-001	SHEET NO. 1 OF 1
DRAFT WHERE APPLICABLE MUST REMAIN WITHIN DIMENSIONS		SEE TABLE	
THIS DRAWING CONTAINS INFORMATION THAT IS PROPRIETARY TO MOLEX INCORPORATED AND SHOULD NOT BE USED WITHOUT WRITTEN PERMISSION			

NEW PRODUCT	DESCRIPTION	QUALITY SYMBOLS
EC NO: SH2007-0529		▽=0
DRWN: YLZHU02		▽C=0
CHKD: XUXIANG		
APPR: JNCHEN		
REV		