

2.5A Regulator with Integrated High-Side MOSFET for Synchronous Buck or Boost Buck Converter

ISL78200

The ISL78200 is a synchronous buck controller with a 90mΩ high side MOSFET and low side driver integrated. The ISL78200 supports a wide input voltage range from 3V to 40V. Regarding the output current capability, the ISL78200 can typically support a continuous load of 2.5A under conditions of 5V V_{OUT} , V_{IN} range of 8V to 36V, 500kHz, +85°C ambient temperature with still air. For any specific application, the actual maximum output current depends upon the die temperature not exceeding +125°C with the power dissipated in the IC, which is related to input voltage, output voltage, duty cycle, switching frequency, ambient temperature and board layout, etc. Refer to the Output Current section on page 14 for more details.

The ISL78200 has flexible selection of operation modes of forced PWM mode and PFM mode. In PFM mode, the quiescent input current is as low as 300µA and can be further reduced to 180µA with AUXVCC connected to V_{OUT} under 12V V_{IN} and 5V V_{OUT} application. The load boundary between PFM and PWM can be programmed to cover wide applications.

The low side driver can be either used to drive an external low side MOSFET for a synchronous buck, or left unused for a standard non-synchronous buck. The low side driver can also be used to drive a boost converter as a pre-regulator that greatly expands the operating input voltage range down to 3V or lower (refer to “Typical Application Schematic III - Boost Buck Converters” on page 5).

The ISL78200 offers the most robust current protections. It uses peak current mode control with cycle-by-cycle current limiting. It is implemented with frequency foldback under current limit condition; in addition, the hiccup overcurrent mode is also implemented to guarantee reliable operations under harsh short conditions.

The ISL78200 has comprehensive protections against various faults including overvoltage and over-temperature protections, etc.

Features

- Ultra Wide Input Voltage Range 3V to 40V
- Selectable Mode Operation
 - Forced PWM Mode
 - PFM Mode
 - Programmable Current Boundary between PFM and PWM Modes
- 300µA IC Quiescent Current (PFM, No Load); 180µA Input Quiescent Current (PFM, No Load, V_{OUT} Connected to AUXVCC)
- Less than 3µA Standby Input Current (IC Disabled)
- Operational Topologies
 - Synchronous Buck
 - Non-Synchronous Buck
 - Two Stage Boost Buck
- Programmable Frequency from 200kHz - 2.2MHz and Frequency Synchronization Capability
- ±1% Tight Voltage Regulation Accuracy
- Reliable Cycle by Cycle Overcurrent Protection
 - Temperature Compensated Current Sense
 - Frequency Foldback
 - Programmable OC Limit
 - Hiccup Mode Protection in Worst Case Short Condition
- 20 Ld HTSSOP Package
- Pb-Free (RoHS Compliant)

Applications

- Automotive Applications
- General Purpose Power Regulator
- 24V Bus Power
- Battery Power
- Embedded Processor and I/O Supplies

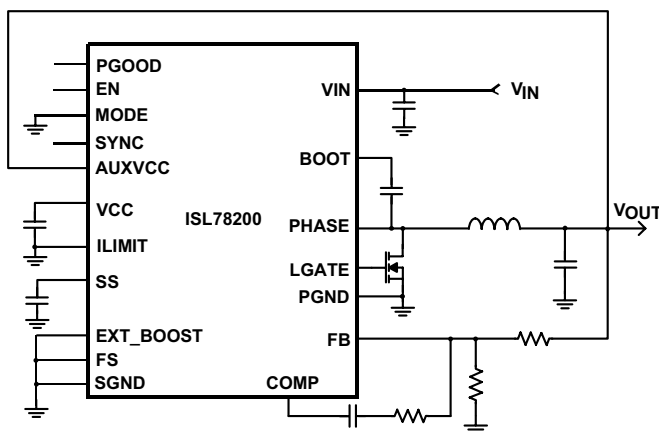


FIGURE 1. TYPICAL APPLICATION

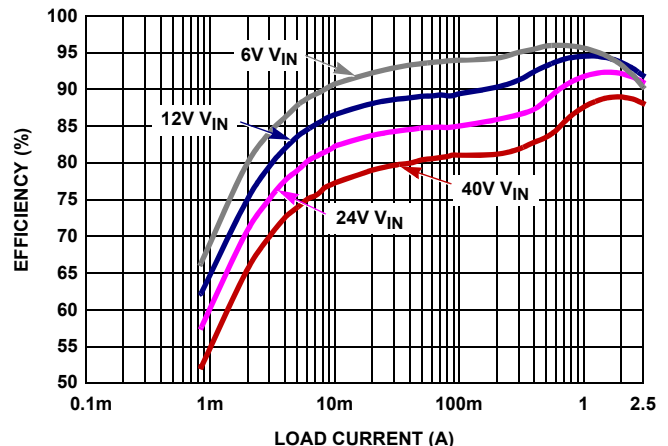
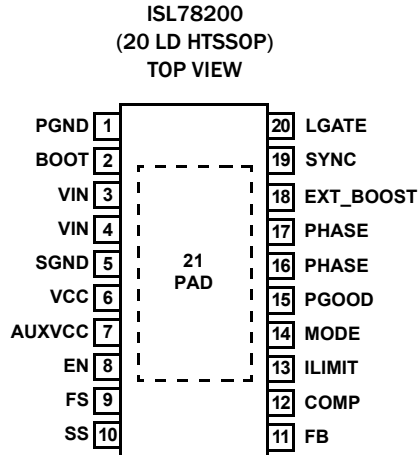


FIGURE 2. EFFICIENCY, SYNCHRONOUS BUCK, PFM MODE, V_{OUT} 5V, T_A +25°C

ISL78200

Pin Configuration



Functional Pin Description

| PIN NAME | PIN # | DESCRIPTION |
|----------|-------|--|
| PGND | 1 | This pin is used as the ground connection of the power flow including driver. |
| BOOT | 2 | This pin provides bias voltage to the high-side MOSFET driver. A bootstrap circuit is used to create a voltage suitable to drive the internal N-channel MOSFET. The boot charge circuitries are integrated inside of the IC. No external boot diode is needed. A 1 μ F ceramic capacitor is recommended to be used between BOOT and PHASE pin. |
| VIN | 3, 4 | Connect the input rail to these pins that are connected to the drain of the integrated high-side MOSFET, as well as the source for the internal linear regulator that provides the bias of the IC. Range: 3V to 40V. With the part switching, the operating input voltage applied to the VIN pins must be under 40V. This recommendation allows for short voltage ringing spikes (within a couple of ns time range) due to switching while not exceeding Absolute Maximum Ratings. |
| SGND | 5 | This pin provides the return path for the control and monitor portions of the IC. |
| VCC | 6 | This pin is the output of the internal linear regulator that supplies the bias for the IC including the driver. A minimum 4.7 μ F decoupling ceramic capacitor is recommended between VCC to ground. |
| AUXVCC | 7 | This pin is the input of the auxiliary internal linear regulator which can be supplied by the regulator output after power-up. With such a configuration, the power dissipation inside the IC is reduced. The input range for this LDO is 3V to 20V. In boost mode operation, this pin works as boost output overvoltage detection pin. It detects the boost output through a resistor divider. When voltage on this pin is above 0.8V, the boost PWM is disabled; and when voltage on this pin is below 0.8V minus the hysteresis, the boost PWM is enabled. Range: 3V to 20V. |
| EN | 8 | The controller is enabled when this pin is pulled HIGH. The IC is disabled when this pin is pulled LOW. Range: 0V to 5.5V. |
| FS | 9 | To connect this pin to VCC, or GND, or left open will force the IC to have 500kHz switching frequency. The oscillator switching frequency can also be programmed by adjusting the resistor from this pin to GND. |
| SS | 10 | Connect a capacitor from this pin to ground. This capacitor, along with an internal 5 μ A current source, sets the soft-start interval of the converter. Also this pin can be used to track a ramp on this pin. |
| FB | 11 | This pin is the inverting input of the voltage feedback error amplifier. With a properly selected resistor divider connected from V _{OUT} to FB, the output voltage can be set to any voltage between the input rail (reduced by maximum duty cycle and voltage drop) and the 0.8V reference. Loop compensation is achieved by connecting an RC network across COMP and FB. The FB pin is also monitored for overvoltage events. |
| COMP | 12 | Output of the voltage feedback error amplifier. |
| ILIMIT | 13 | Programmable current limit pin. With this pin connected to VCC pin, or to GND, or left open, the current limit threshold is set to default 3.6A; the current limit threshold can be programmed with a resistor from this pin to GND. |
| MODE | 14 | Mode selection pin. Pull this pin to GND for forced PWM mode; to have it floating or connected to VCC will enable PFM mode when the peak inductor current is below the default threshold of 700mA. The current boundary threshold between PFM and PWM can also be programmed with a resistor at this pin to ground. For more details on PFM Mode Operation refer to the "Functional Description" on page 13. |
| PGOOD | 15 | PGOOD is an open drain output that will be pulled low immediately under the events when the output is out of regulation (OV or UV) or EN pin pulled low. PGOOD is equipped with a fixed delay of 1000 cycles upon output power-up (V _O > 90%). |

ISL78200

Functional Pin Description (Continued)

| PIN NAME | PIN # | DESCRIPTION |
|-----------|--------|--|
| PHASE | 16, 17 | These pins are the PHASE nodes that should be connected to the output inductor. These pins are connected to the source of the high side N channel MOSFET. |
| EXT_BOOST | 18 | This pin is used to set boost mode and monitor the battery voltage that is the input of the boost converter. After VCC POR, the controller will detect the voltage on this pin, if voltage on this pin is below 200mV, the controller is set in synchronous/non-synchronous buck mode and latch in this state unless VCC is below the POR falling threshold; if the voltage on this pin after VCC POR is above 200mV, the controller is set in boost mode and latch in this state. In boost mode, this pin is used to monitor input voltage through a resistor divider. By setting the resistor divider, the high threshold and hysteresis can be programmed. When voltage on this pin is above 0.8V, the PWM output (LGATE) for the boost converter is disabled, and when voltage on this pin is below 0.8V minus the hysteresis, the boost PWM is enabled. In boost mode operation, PFM is disabled when boost PWM is enabled. Check Boost Mode Operation in the "Functional Description" on page 13 for more details. |
| SYNC | 19 | This pin can be used to synchronize two or more ISL78200 controllers. Multiple ISL78200 can be synchronized with their SYNC pins connected together. 180 degree phase shift is automatically generated between the master and slave ICs. The internal oscillator can also lock to an external frequency source applied on this pin with square pulse waveform (with frequency 10% higher than the IC's local frequency, and pulse width higher than 150ns). This pin should be left floating if not used. Range: 0V to 5.5V. |
| LGATE | 20 | In synchronous buck mode, this pin is used to drive the lower side MOSFET to improve efficiency. In non-synchronous buck when a diode is used as the bottom side power device, this pin should be connected to VCC before VCC start-up to have low side driver (LGATE) disabled. In boost mode, it can be used to drive the boost power MOSFET. The boost control PWM is the same with the buck control PWM. |
| PD | 21 | Bottom thermal pad. It is not connected to any electrical potential of the IC. In layout it must be connected to PCB ground copper plane with an area as large as possible to effectively reduce the thermal impedance. |

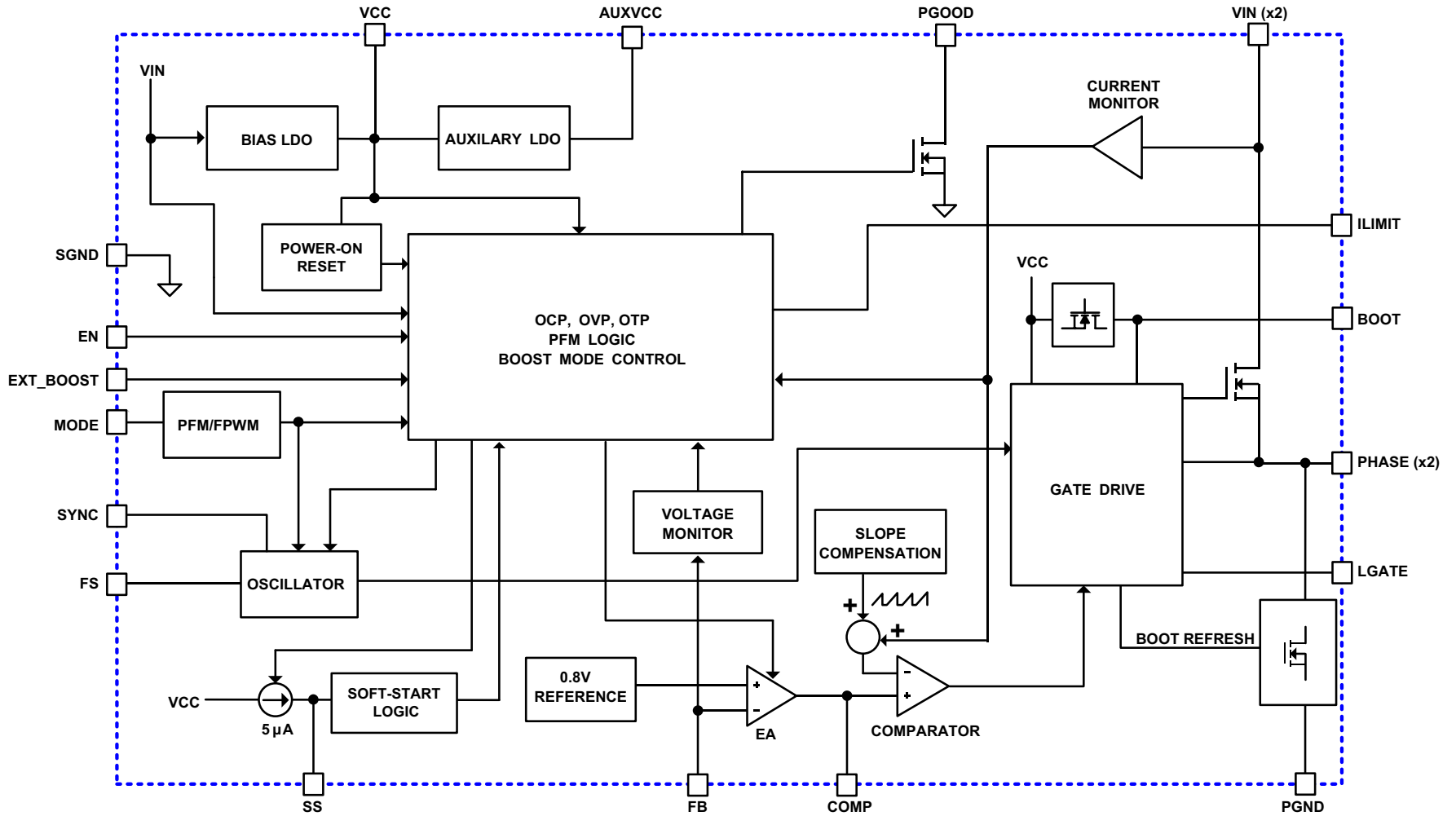
Ordering Information

| PART NUMBER (Notes 1, 2, 3) | PART MARKING | TEMP. RANGE (°C) | PACKAGE (Pb-Free) | PKG. DWG. # |
|--------------------------------|---------------|---------------------|----------------------|-------------|
| ISL78200AVEZ | ISL78200 AVEZ | -40 to +105 | 20 Ld HTSSOP | MDP0048 |

NOTES:

1. Add "-T*" suffix for tape and reel. Please refer to [TB347](#) for details on reel specifications.
2. These Intersil Pb-free plastic packaged products employ special Pb-free material sets, molding compounds/die attach materials, and 100% matte tin plate plus anneal (e3 termination finish, which is RoHS compliant and compatible with both SnPb and Pb-free soldering operations). Intersil Pb-free products are MSL classified at Pb-free peak reflow temperatures that meet or exceed the Pb-free requirements of IPC/JEDEC J STD-020.
3. For Moisture Sensitivity Level (MSL), please see device information page for [ISL78200](#). For more information on MSL please see techbrief [TB363](#).

Block Diagram



ISL78200

Typical Application Schematic I

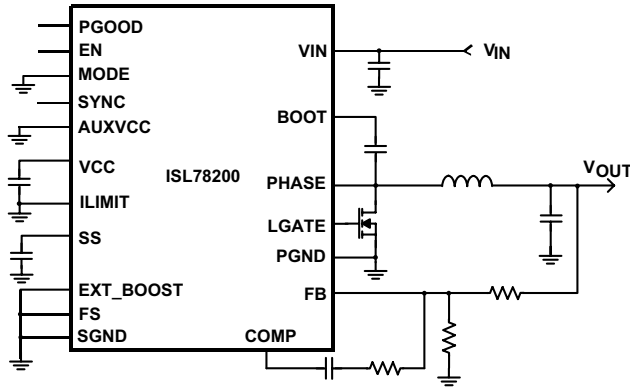


FIGURE 3A. SYNCHRONOUS BUCK

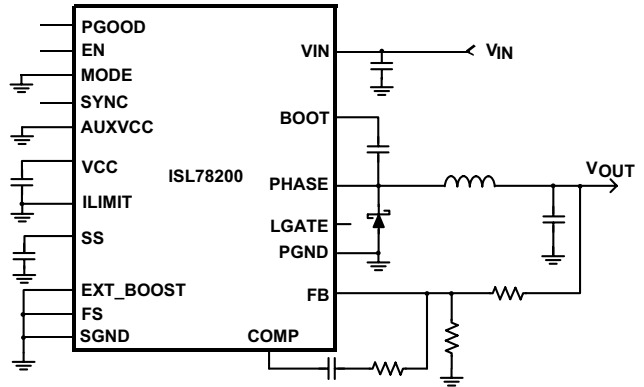


FIGURE 3B. NON-SYNCHRONOUS BUCK

Typical Application Schematic II - V_{CC} Switch Over to V_{OUT}

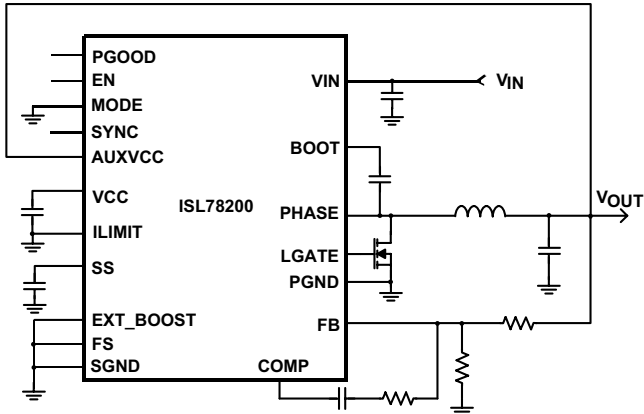


FIGURE 4A. SYNCHRONOUS BUCK

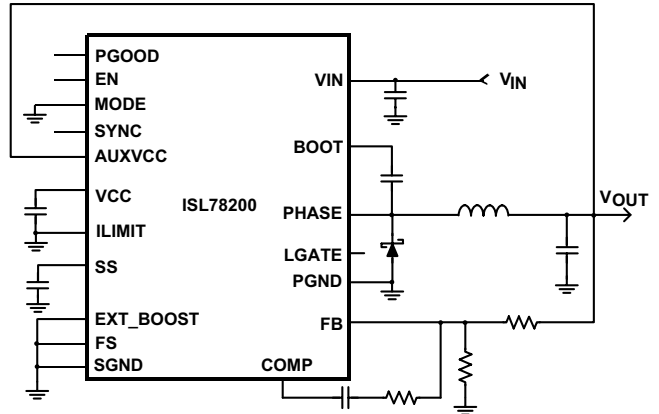
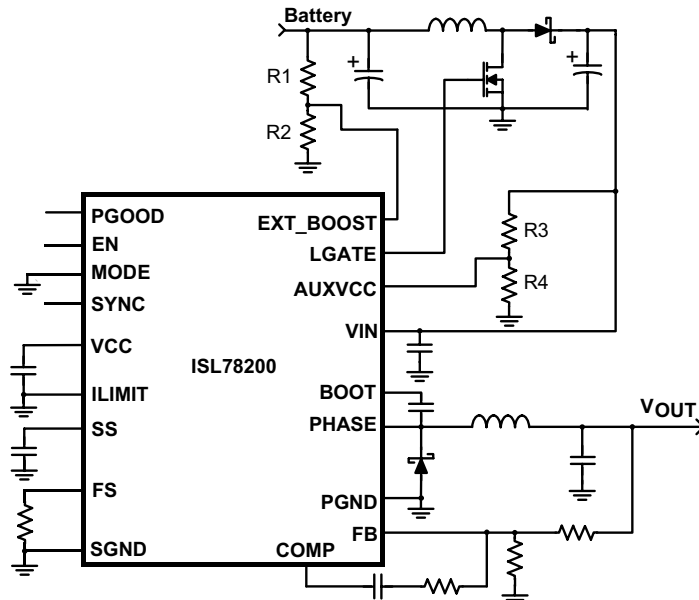


FIGURE 4B. NON-SYNCHRONOUS BUCK

Typical Application Schematic III - Boost Buck Converters



ISL78200

Absolute Maximum Ratings

| | |
|---|--------------------------|
| VIN, PHASE | GND - 0.3V to +44V |
| VCC | GND - 0.3V to +6.0V |
| AUXVCC | GND - 0.3V to +22V |
| Absolute Boot Voltage, V _{BOOT} | +50.0V |
| Upper Driver Supply Voltage, V _{BOOT} - V _{PHASE} | +6.0V |
| All Other Pins | GND - 0.3V to VCC + 0.3V |
| ESD Rating | |
| Human Body Model | 2000V |
| Machine Model | 250V |
| Charged Device Model | 1000V |
| Latchup Rating (Tested per JESD78B; Class II, Level A) | 100mA |

Thermal Information

| | | |
|--|---|----------------------|
| Thermal Resistance | θ_{JA} (°C/W) | θ_{JC} (°C/W) |
| HTSSOP Package (Notes 4, 5) | 35 | 3.5 |
| Maximum Junction Temperature (Plastic Package) | +150°C | |
| Maximum Storage Temperature Range | -65°C to +150°C | |
| Pb-free Reflow Profile | see link below http://www.intersil.com/pbfree/Pb-FreeReflow.asp | |

Recommended Operating Conditions

| | |
|--|--------------------|
| Supply Voltage on VIN | 3V to 40V |
| AUXVCC | GND - 0.3V to +20V |
| Ambient Temperature Range (Automotive) | -40°C to +105°C |
| Junction Temperature Range | -40°C to +125°C |

CAUTION: Do not operate at or near the maximum ratings listed for extended periods of time. Exposure to such conditions may adversely impact product reliability and result in failures not covered by warranty.

NOTES:

- θ_{JA} is measured in free air with the component mounted on a high effective thermal conductivity test board with “direct attach” features. See Tech Brief [TB379](#).
- For θ_{JC} , the “case temp” location is the center of the exposed metal pad on the package underside.

Electrical Specifications Refer to the Block Diagram (page 4) and Typical Application Schematics (page 5). Operating conditions unless otherwise noted: V_{IN} = 12V, or V_{CC} = 4.5V, T_A = -40°C to +105°C. Typical values are at T_A = +25°C. **Boldface limits apply over the operating temperature range, -40°C to +105°C.**

| PARAMETER | SYMBOL | TEST CONDITIONS | MIN (Note 6) | TYP | MAX (Note 6) | UNITS |
|--|---------------------------|---|--------------|------|--------------|-------|
| V_{IN} SUPPLY | | | | | | |
| V _{IN} Pin Voltage Range | | V _{IN} Pin | 3.05 | | 40 | V |
| | | V _{IN} connected to VCC | 3.05 | | 5.5 | V |
| Operating Supply Current | I _Q | MODE = VCC/FLOATING (PFM), no load at the output | | 300 | | μA |
| | | MODE = GND (Forced PWM), V _{IN} = 12V, non-switching | | 1.2 | | mA |
| Standby Supply Current | I _{Q_SBY} | EN connected to GND, V _{IN} = 12V | | 1.8 | 3 | μA |
| INTERNAL MAIN LINEAR REGULATOR | | | | | | |
| MAIN LDO V _{CC} Voltage | V _{CC} | V _{IN} > 5V | 4.2 | 4.5 | 4.8 | V |
| MAIN LDO Dropout Voltage | V _{DROPOUT_MAIN} | V _{IN} = 4.2V, I _{VCC} = 35mA | | 0.3 | 0.5 | V |
| | | V _{IN} = 3V, I _{VCC} = 25mA | | 0.25 | 0.3 | V |
| V _{CC} Current Limit of MAIN LDO | | | | 60 | | mA |
| INTERNAL AUXILIARY LINEAR REGULATOR | | | | | | |
| AUXVCC Input Voltage Range | V _{AUXVCC} | | 3 | | 20 | V |
| AUX LDO V _{CC} Voltage | V _{CC} | V _{AUXVCC} > 5V | 4.2 | 4.5 | 4.8 | V |
| LDO Dropout Voltage | V _{DROPOUT_AUX} | V _{AUXVCC} = 4.2V, I _{VCC} = 35mA | | 0.3 | 0.5 | V |
| | | V _{AUXVCC} = 3V, I _{VCC} = 25mA | | 0.25 | 0.3 | V |
| Current Limit of AUX LDO | | | | 60 | | mA |
| AUX LDO Switch-over Rising Threshold | V _{AUXVCC_RISE} | AUXVCC voltage rise, switch to auxiliary LDO | 2.97 | 3.1 | 3.2 | V |
| AUX LDO Switch-over Falling Threshold | V _{AUXVCC_FALL} | AUXVCC voltage fall, switch back to main BIAS LDO | 2.73 | 2.87 | 2.97 | V |
| AUX LDO Switch-over Hysteresis | V _{AUXVCC_HYS} | AUXVCC switch-over hysteresis | | 0.2 | | V |

ISL78200

Electrical Specifications Refer to the Block Diagram (page 4) and Typical Application Schematics (page 5). Operating conditions unless otherwise noted: $V_{IN} = 12V$, or $V_{CC} = 4.5V$, $T_A = -40^{\circ}C$ to $+105^{\circ}C$. Typical values are at $T_A = +25^{\circ}C$. **Boldface limits apply over the operating temperature range, $-40^{\circ}C$ to $+105^{\circ}C$. (Continued)**

| PARAMETER | SYMBOL | TEST CONDITIONS | MIN (Note 6) | TYP | MAX (Note 6) | UNITS |
|--|-------------------|--|-----------------|------|-----------------|------------|
| POWER-ON RESET | | | | | | |
| Rising V_{CC} POR Threshold | V_{PORH_RISE} | | 2.82 | 2.9 | 3.05 | V |
| Falling V_{CC} POR Threshold | V_{PORL_FALL} | | | 2.6 | 2.8 | V |
| V_{CC} POR Hysteresis | V_{PORL_HYS} | | | 0.3 | | V |
| ENABLE | | | | | | |
| Required Enable On Voltage | V_{ENH} | | 2 | | | V |
| Required Enable Off Voltage | V_{ENL} | | | | 0.8 | V |
| OSCILLATOR | | | | | | |
| PWM Frequency | F_{OSC} | $R_T = 665k\Omega$ | 160 | 200 | 240 | kHz |
| | | $R_T = 51.1k\Omega$ | 1950 | 2200 | 2450 | kHz |
| | | FS pin connected to VCC or floating or GND | 450 | 500 | 550 | kHz |
| MIN ON Time | t_{MIN_ON} | | | 130 | 225 | ns |
| MIN OFF Time | t_{MIN_OFF} | | | 210 | 325 | ns |
| REFERENCE VOLTAGE | | | | | | |
| Reference Voltage | V_{REF} | | | 0.8 | | V |
| System Accuracy | | | -1.0 | | 1.0 | % |
| FB Pin Source Current | | | | 5 | | nA |
| SOFT-START | | | | | | |
| Soft-Start Current | I_{SS} | | 3 | 5 | 7 | μA |
| ERROR AMPLIFIER | | | | | | |
| Unity Gain-Bandwidth | | $C_{LOAD} = 50pF$ | | 10 | | MHz |
| DC Gain | | $C_{LOAD} = 50pF$ | | 88 | | dB |
| Maximum Output Voltage | | | | 3.6 | | V |
| Minimum Output Voltage | | | | 0.5 | | V |
| Slew Rate | SR | $C_{LOAD} = 50pF$ | | 5 | | V/ μs |
| PFM MODE CONTROL | | | | | | |
| Default PFM Current Threshold | | MODE = VCC or floating | | 700 | | mA |
| INTERNAL HIGH-SIDE MOSFET | | | | | | |
| Upper MOSFET $r_{DS(ON)}$ | $r_{DS(ON)_UP}$ | Note 7 | | 90 | 150 | m Ω |
| LOW-SIDE MOSFET GATE DRIVER | | | | | | |
| LGATE Source Resistance | | 100mA Source Current | | 3.5 | | Ω |
| LGATE Sink Resistance | | 100mA Sink Current | | 3.3 | | Ω |
| BOOST CONVERTER CONTROL | | | | | | |
| EXT_BOOST Boost_Turn-Off Threshold Voltage | | | 0.74 | 0.8 | 0.86 | V |
| EXT_BOOST Hysteresis Sink Current | I_{AUXVCC_HYS} | | 2.4 | 3.2 | 3.8 | μA |
| AUXVCC Boost Turn-Off Threshold Voltage | | | 0.74 | 0.8 | 0.86 | V |
| AUXVCC Hysteresis Sink Current | I_{AUXVCC_HYS} | | 2.4 | 3.2 | 3.8 | μA |

ISL78200

Electrical Specifications Refer to the Block Diagram (page 4) and Typical Application Schematics (page 5). Operating conditions unless otherwise noted: $V_{IN} = 12V$, or $V_{CC} = 4.5V$, $T_A = -40^\circ C$ to $+105^\circ C$. Typical values are at $T_A = +25^\circ C$. **Boldface limits apply over the operating temperature range, $-40^\circ C$ to $+105^\circ C$. (Continued)**

| PARAMETER | SYMBOL | TEST CONDITIONS | MIN (Note 6) | TYP | MAX (Note 6) | UNITS |
|--|---------------------|--|-----------------|-------|-----------------|------------|
| POWER GOOD MONITOR | | | | | | |
| Overvoltage Rising Trip Point | V_{FB}/V_{REF} | Percentage of Reference Point | 104 | 110 | 116 | % |
| Overvoltage Rising Hysteresis | V_{FB}/V_{OVTRIP} | Percentage Below OV Trip Point | | 3 | | % |
| Undervoltage Falling Trip Point | V_{FB}/V_{REF} | Percentage of Reference Point | 84 | 90 | 96 | % |
| Undervoltage Falling Hysteresis | V_{FB}/V_{UVTRIP} | Percentage Above UV Trip Point | | 3 | | % |
| PGOOD Rising Delay | t_{PGOOD_DELAY} | $f_{OSC} = 500kHz$ | | 2 | | ms |
| PGOOD Leakage Current | | PGOOD HIGH, $V_{PGOOD} = 4.5V$ | | 10 | | nA |
| PGOOD Low Voltage | V_{PGOOD} | PGOOD LOW, $I_{PGOOD} = 0.2mA$ | | 0.10 | | V |
| PROTECTION | | | | | | |
| Default Cycle by Cycle Current Limit Threshold | I_{OC_1} | ILIMIT = GND or VCC or Floating | 3 | 3.6 | 4.2 | A |
| Hiccup Current Limit Threshold | I_{OC_2} | Hiccup, I_{OC_2}/I_{OC_1} | | 115 | | % |
| OVERVOLTAGE PROTECTION | | | | | | |
| OV Latching-off Trip Point | | Percentage of Reference Point LG = UG = LATCH LOW | | 120 | | % |
| OV Non-Latching-off Trip Point | | Percentage of Reference Point LG = UG = LOW | | 110 | | % |
| OV Non-Latching-off Release Point | | Percentage of Reference Point | | 102.5 | | % |
| OVER-TEMPERATURE PROTECTION | | | | | | |
| Over-Temperature Trip Point | | | | 155 | | $^\circ C$ |
| Over-Temperature Recovery Threshold | | | | 140 | | $^\circ C$ |

NOTES:

- Parameters with MIN and/or MAX limits are 100% tested at $+25^\circ C$, unless otherwise specified. Temperature limits established by characterization and are not production tested.
- Wire bonds not included. The wire bond resistance between VIN and PHASE pin is $32m\Omega$ typical.

Performance Curves

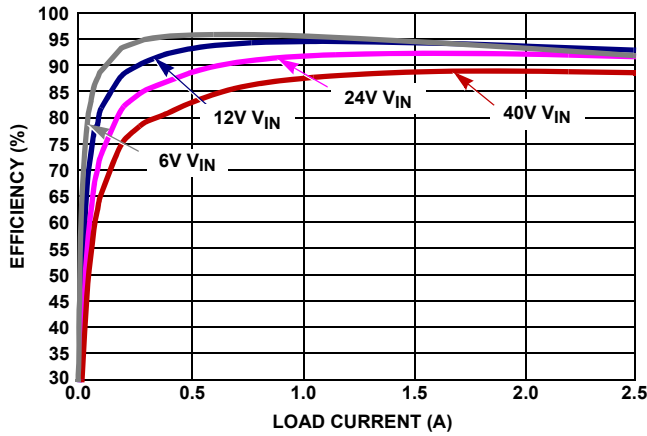


FIGURE 5. EFFICIENCY, SYNCHRONOUS BUCK, FORCED PWM MODE, 500kHz, V_{OUT} 5V, $T_A = +25^\circ\text{C}$

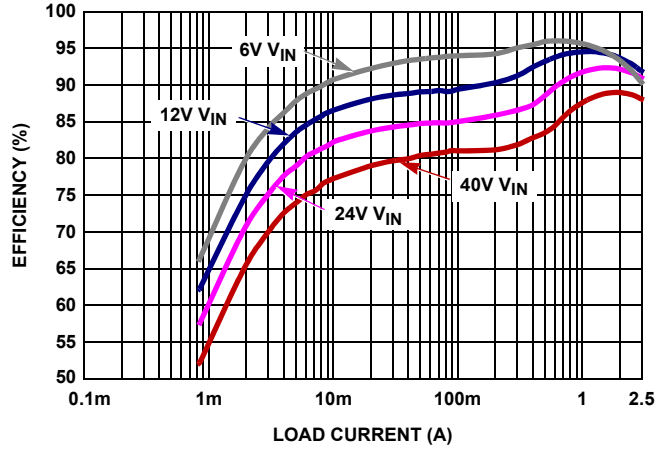


FIGURE 6. EFFICIENCY, SYNCHRONOUS BUCK, PFM MODE, V_{OUT} 5V, $T_A = +25^\circ\text{C}$

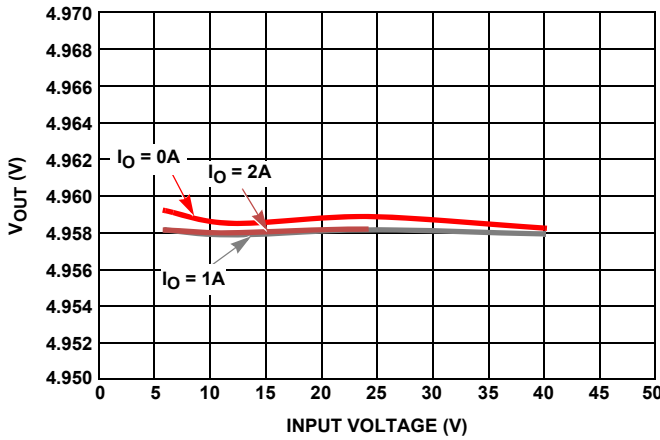


FIGURE 7. LINE REGULATION, V_{OUT} 5V, $T_A = +25^\circ\text{C}$

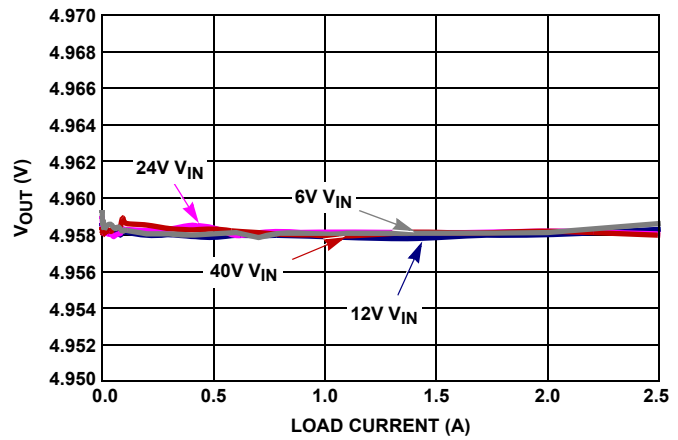


FIGURE 8. LOAD REGULATION, V_{OUT} 5V, $T_A = +25^\circ\text{C}$

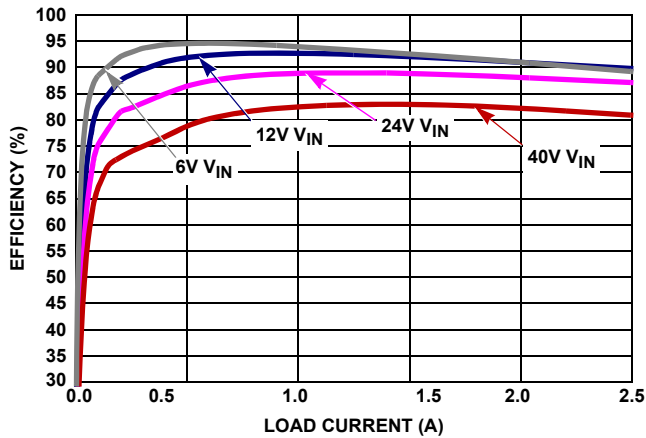


FIGURE 9. EFFICIENCY, SYNCHRONOUS BUCK, FORCED PWM MODE, 500kHz, V_{OUT} 3.3V, $T_A = +25^\circ\text{C}$

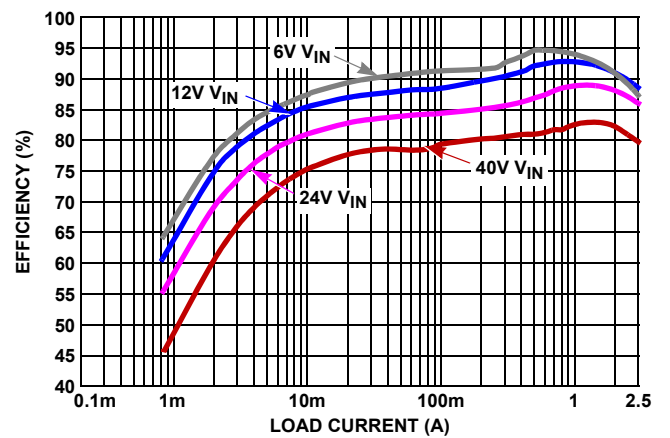


FIGURE 10. EFFICIENCY, SYNCHRONOUS BUCK, PFM MODE, V_{OUT} 3.3V, $T_A = +25^\circ\text{C}$

Performance Curves (Continued)

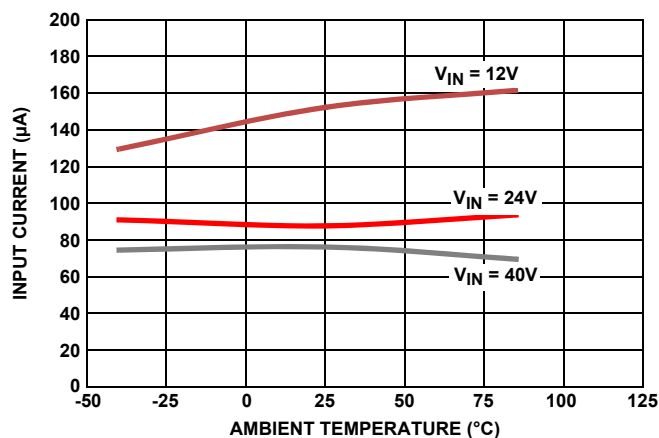


FIGURE 11. INPUT QUIESCENT CURRENT UNDER NO LOAD, PFM MODE, AUXVCC CONNECTED TO V_{OUT} . $V_{OUT} = 5V$

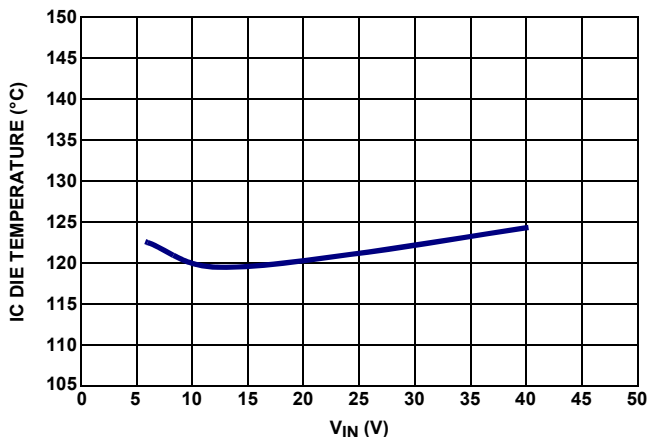


FIGURE 12. IC DIE TEMPERATURE UNDER +105°C AMBIENT TEMPERATURE, 100 CFM, 500kHz, $V_{OUT} = 5V$, $I_O = 2A$

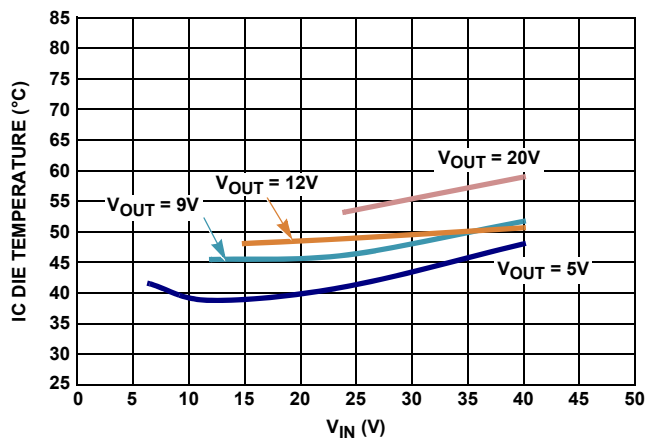


FIGURE 13. IC DIE TEMPERATURE UNDER +25°C AMBIENT TEMPERATURE, STILL AIR, 500kHz, $I_O = 2A$

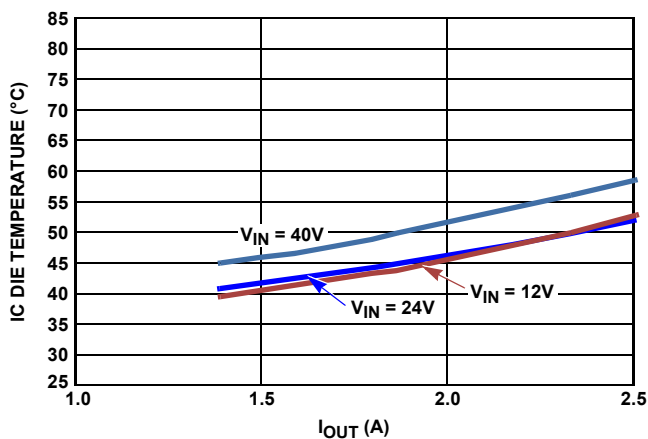


FIGURE 14. IC DIE TEMPERATURE UNDER +25°C AMBIENT TEMPERATURE, STILL AIR, 500kHz, $V_{OUT} = 9V$

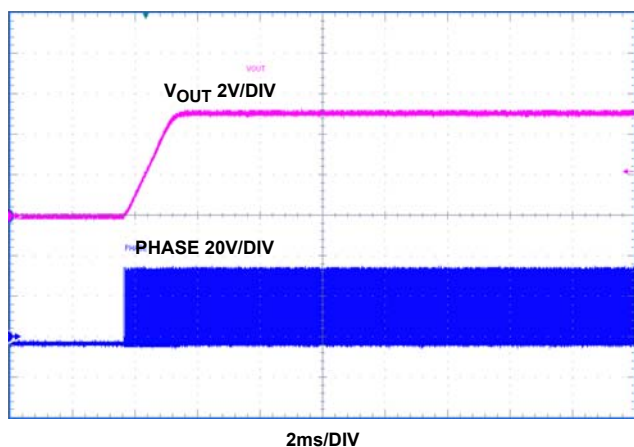


FIGURE 15. SYNCHRONOUS BUCK MODE, $V_{IN} = 36V$, $I_O = 2A$, ENABLE ON

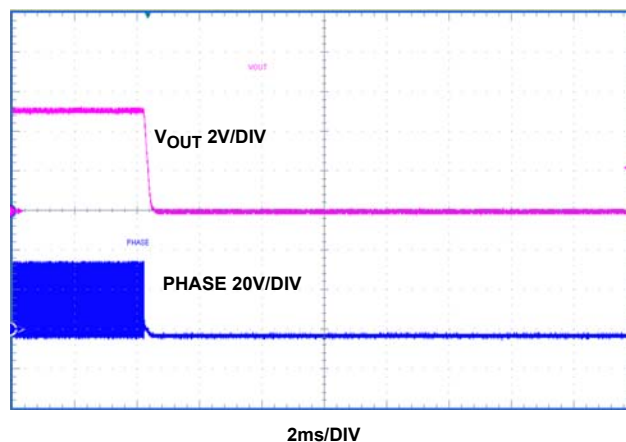


FIGURE 16. SYNCHRONOUS BUCK MODE, $V_{IN} = 36V$, $I_O = 2A$, ENABLE OFF

Performance Curves (Continued)

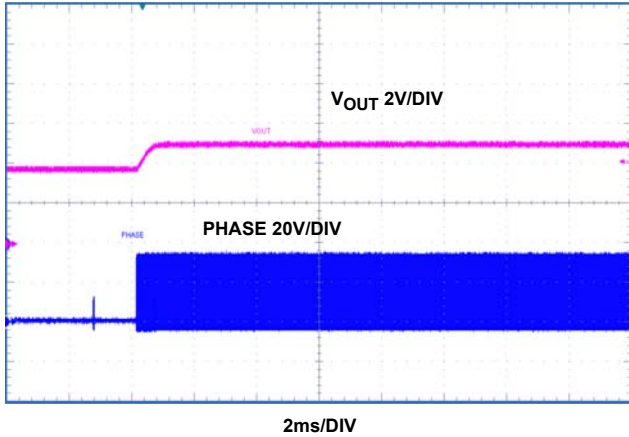


FIGURE 17. V_{IN} 36V, PREBIASED START-UP

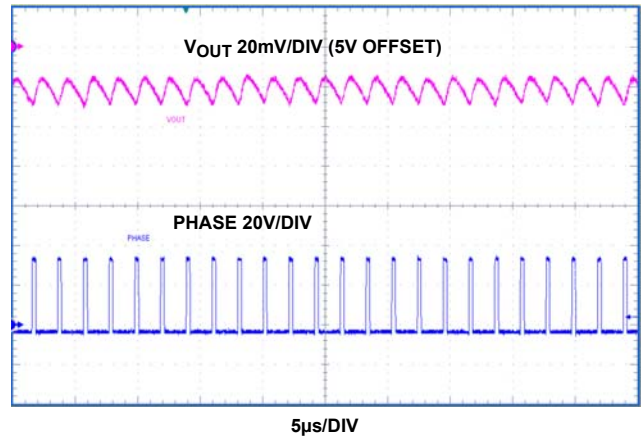


FIGURE 18. SYNCHRONOUS BUCK WITH FORCE PWM MODE, V_{IN} 36V, I_O 2A

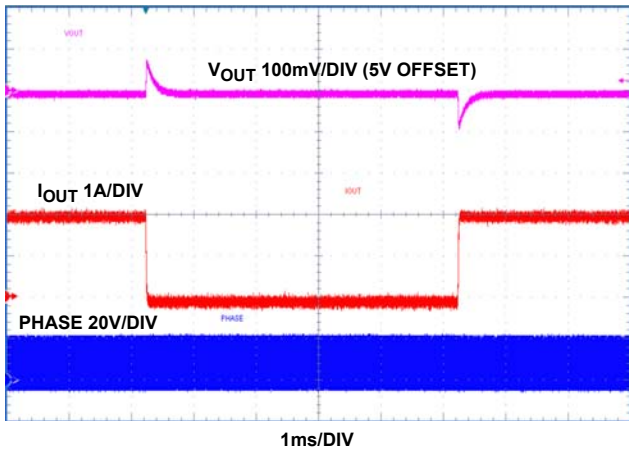


FIGURE 19. V_{IN} 24V, 0 TO 2A STEP LOAD, FORCE PWM MODE

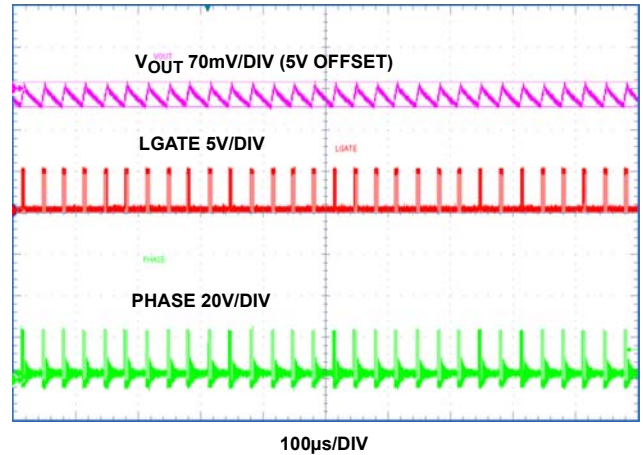


FIGURE 20. V_{IN} 24V, 80mA LOAD, PFM MODE

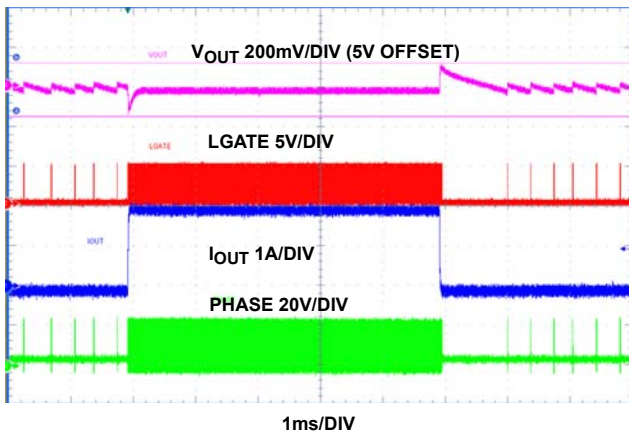


FIGURE 21. V_{IN} 24V, 0 TO 2A STEP LOAD, PFM MODE

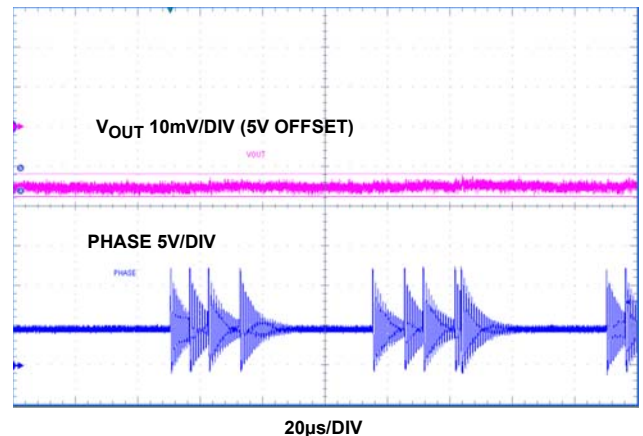


FIGURE 22. NON-SYNCHRONOUS BUCK, FORCE PWM MODE, V_{IN} 12V, NO LOAD

Performance Curves (Continued)

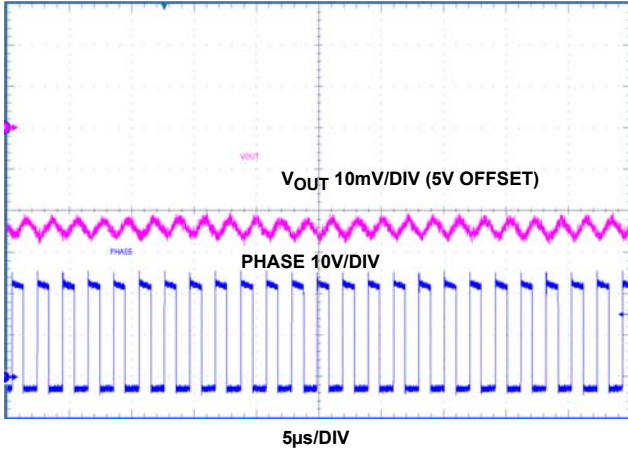


FIGURE 23. NON-SYNCHRONOUS BUCK, FORCE PWM MODE, V_{IN} 12V, 2A

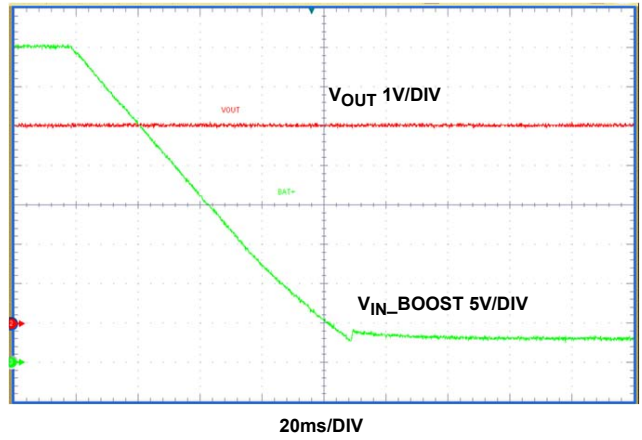


FIGURE 24. BOOST BUCK MODE, BOOST INPUT STEP FROM 40V TO 3V

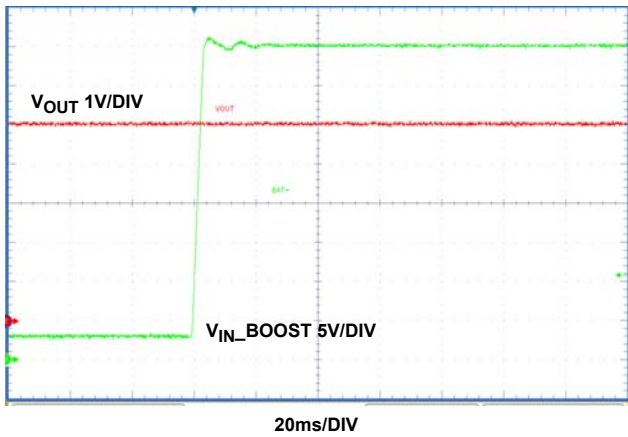


FIGURE 25. BOOST BUCK MODE, BOOST INPUT STEP FROM 3V TO 40V

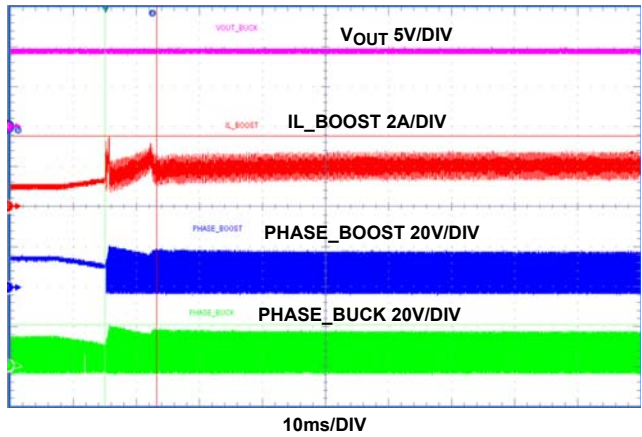


FIGURE 26. BOOST BUCK MODE, $V_O = 9V$, $I_O = 1.8A$, BOOST INPUT DROPS FROM 16V TO 9V DC

Functional Description

Initialization

Initially, the ISL78200 continually monitors the voltage at EN pin. When the voltage on EN pin exceeds its rising threshold, the internal LDO will start-up to build up V_{CC} . After Power-On Reset (POR) circuits detect that V_{CC} voltage has exceeded the POR threshold, the soft-start will be initiated.

Soft-Start

The soft-start (SS) ramp is built up in the external capacitor on the SS pin that is charged by an internal 5 μ A current source.

$$C_{SS}[\mu F] = 6.5 \cdot t_{SS}[S] \quad (EQ. 1)$$

The SS ramp starts from 0V to a voltage above 0.8V. Once SS reaches 0.8V, the bandgap reference takes over and the IC goes into steady state operation.

The SS plays a vital role in the hiccup mode of operation. The IC works as cycle-by-cycle peak current limiting at overload condition. When a harsh condition occurs and the current in the upper side MOSFET reaches the second overcurrent threshold, the SS pin is pulled to ground and a dummy soft-start cycle is initiated. At the dummy SS cycle, the current to charge the soft-start cap is cut down to 1/5 of its normal value. Therefore, a dummy SS cycle takes 5 times that of the regular SS cycle. During the dummy SS period, the control loop is disabled and no PWM output. At the end of this cycle, it will start the normal SS. The hiccup mode persists until the second overcurrent threshold is no longer reached.

The ISL78200 is capable of start-up with prebiased output.

PWM Control

Pulling the MODE pin to GND will set the IC in forced PWM mode. The ISL78200 employs the peak current mode PWM control for fast transient response and cycle-by-cycle current limiting. See page 4 for the block diagram.

The PWM operation is initialized by the clock from the oscillator. The upper MOSFET is turned on by the clock at the beginning of a PWM cycle and the current in the MOSFET starts to ramp up. When the sum of the current sense signal and the slope compensation signal reaches the error amplifier output voltage level, the PWM comparator is triggered to shut down the PWM logic to turn off the high side MOSFET. The high side MOSFET stays off until the next clock signal comes for the next cycle.

The output voltage is sensed by a resistor divider from V_{OUT} to the FB pin. The difference between the FB voltage and 0.8V reference is amplified and compensated to generate the error voltage signal at the COMP pin. Then the COMP pin signal is compared with the current ramp signal to shut down the PWM.

PFM Mode Operation

To pull the MODE pin HIGH (>2.5V) or leave the MODE pin floating will set the IC to have PFM (Pulse Frequency Modulation) operation in light load. In PFM mode, the switching frequency is dramatically reduced to minimize the switching loss. The ISL78200 enters PFM mode when the MOSFET peak current is lower than the PWM/PFM boundary current threshold. This threshold is 700mA as default when there is no programming resistor at MODE pin. It can also be programmed by a resistor at the MODE pin to ground (see Equation 2).

$$R_{MODE} = \frac{118500}{IPFM + 0.2} \quad (EQ. 2)$$

where IPFM is the desired PWM/PFM boundary current threshold and R_{MODE} is the programming resistor.

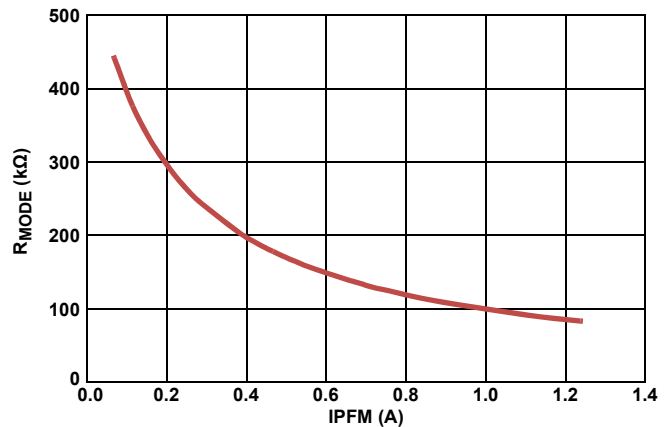


FIGURE 27. R_{MODE} vs IPFM

Synchronous and Non-Synchronous Buck

The ISL78200 supports both synchronous and non-synchronous buck operations. For a non-synchronous buck operation when a power diode is used as the low side power device, the LGATE driver can be disabled with LGATE connected to VCC (before IC start-up).

Input Voltage

With the part switching, the operating ISL78200 input voltage must be under 40V. This recommendation allows for short voltage ringing spikes (within a couple of ns time range) due to part switching while not exceeding 44V as Absolute Maximum Ratings.

Output Voltage

The ISL78200 output voltage can be programmed down to 0.8V by a resistor divider from V_{OUT} to FB. The maximum achievable voltage is $(V_{IN} * D_{MAX} - V_{DROP})$, where V_{DROP} is the voltage drop in the power path including mainly the MOSFET $r_{DS(ON)}$ and inductor DCR. The maximum duty cycle D_{MAX} is decided by $(1/Fs \cdot t_{MINOFF})$.

Output Current

With the high side MOSFET integrated, the maximum current ISL78200 can support is decided by the package and many operating conditions including input voltage, output voltage, duty cycle, switching frequency and temperature, etc.

First: The maximum DC output current is 5A limited by the package.

Second: From the thermal perspective, the die temperature shouldn't be above +125°C with the power loss dissipated inside of the IC. Figures 12 through 14 show the thermal performance of this part operating at different conditions. The part can output 2.5A under typical application condition V_{IN} 8~36V, V_O 5V, 500kHz, still air and +85°C ambient conditions. The output current should be derated under any conditions causing the die temperature to exceed +125°C.

Figure 12 shows a 5V, 2A output application over V_{IN} range under +105°C ambient temperature with 100 CFM air flow.

Figure 13 shows 2A applications under +25°C still air conditions. Different V_{OUT} (5V, 9V, 12V, 20V) applications thermal data are shown over V_{IN} range at +25°C and still air. The temperature rise data in this figure can be used to estimate the die temperature at different ambient temperatures under various operating conditions. Note: More temperature rise is expected at higher ambient temperatures due to more conduction loss caused by $r_{DS(ON)}$ increase.

Figure 14 shows thermal performance under various output currents and input voltages. It shows the temperature rise trend with load and V_{IN} changes.

Basically, the die temperature equals the sum of ambient temperature and the temperature rise resulting from power dissipated from the IC package with a certain junction to ambient thermal impedance θ_{JA} . The power dissipated in the IC is related to the MOSFET switching loss, conduction loss and the internal LDO loss. Besides the load, these losses are also related to input voltage, output voltage, duty cycle, switching frequency and temperature. With the exposed pad at the bottom, the heat of the IC mainly goes through the bottom pad and θ_{JA} is greatly reduced. The θ_{JA} is highly related to layout and air flow conditions. In layout, multiple vias (≥ 15) are strongly recommended in the IC bottom pad. In addition, the bottom pad with its vias should be placed in ground copper plane with an area as large as possible connected through multiple layers. The θ_{JA} can be reduced further with air flow. Refer to Figure 12 for the thermal performance with 100 CFM air flow.

Boost Converter Operation

The Typical Application Schematic III on page 5 shows the circuits where the boost works as a pre-stage to provide input to the following Buck stage. This is for applications when the input voltage could drop to a very low voltage in some constants (in some battery powered systems as an example), causing the output voltage drops out of regulation. The boost converter can be enabled to boost the input voltage up to keep the output voltage in regulation. When the system input voltage recovers back to normal, the boost stage is disabled while only the buck stage is switching.

EXT_BOOST pin is used to set boost mode and monitor the boost input voltage. At IC start-up before soft-start, the controller will latch in boost mode when the voltage on this pin is above 200mV; it will latch in synchronous buck mode if voltage on this pin is below 200mV. In boost mode, the low-side driver output PWM has the same PWM signal with the buck regulator.

In boost mode, the EXT_BOOST pin is used to monitor boost output voltage to turn on and turn off the boost PWM. The AUXVCC pin is used to monitor the boost output voltage to turn on and turn off the boost PWM.

Referring to Figure 28, a resistor divider from boost input voltage to the EXT_BOOST pin is used to detect the boost input voltage. When the voltage on the EXT_BOOST pin is below 0.8V, the boost PWM is enabled with a fixed 500 μ s soft-start when the boost duty cycle increases from $t_{MINON} \cdot F_s$ to ~50% and a 3 μ A sinking current is enabled at the EXT_BOOST pin for hysteresis purposes. When the voltage on the EXT_BOOST pin recovers to above 0.8V, the boost PWM is disabled immediately. Use Equation 3 to calculate the upper resistor R_{UP} (R1 in Figure 28) for a desired hysteresis V_{HYS} at boost input voltage

$$R_{UP} [M\Omega] = \frac{V_{HYS}}{3[\mu A]} \quad (EQ. 3)$$

Use Equation 4 to calculate the lower resistor R_{LOW} (R2 in Figure 28) according to a desired boost enable threshold.

$$R_{LOW} = \frac{R_{UP} \cdot 0.8}{V_{FTH} - 0.8} \quad (EQ. 4)$$

where V_{FTH} is the desired falling threshold on boost input voltage to turn on the boost, 3 μ A is the hysteresis current, and 0.8V is the reference voltage to be compared.

Note the boost start-up threshold has to be selected in a way that the buck is operating well at close loop before boost start-up. Otherwise, large inrush current at boost start-up could occur at boost input due to the buck loop saturation.

Similarly, a resistor divider from boost output voltage to the AUXVCC pin is used to detect the boost output voltage. When the voltage on AUXVCC pin is below 0.8V, the boost PWM is enabled with a fixed 500 μ s soft-start, and a 3 μ A sinking current is enabled at AUXVCC pin for hysteresis purpose. When the voltage on the AUXVCC pin recovers to above 0.8V, the boost PWM is disabled immediately. Use Equation 3 to calculate the upper resistor R_{UP} (R3 in Figure 28) according to a desired hysteresis V_{HY} at boost output voltage. Use Equation 4 to calculate the lower resistor R_{LOW} (R4 in Figure 28) according to a desired boost enable threshold at boost output.

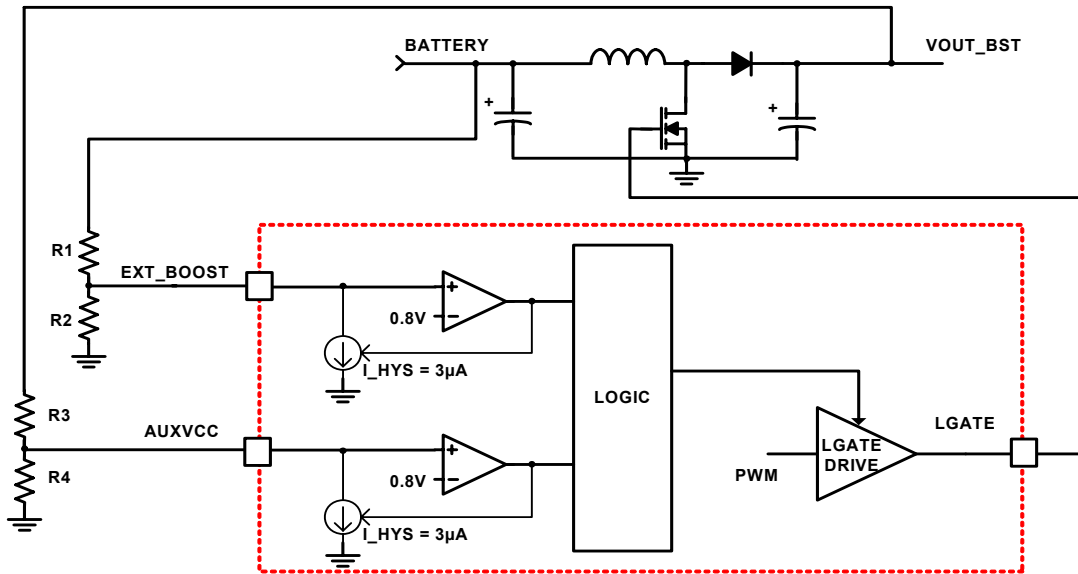


FIGURE 28. BOOST CONVERTER CONTROL

Assuming V_{BAT} is the boost input voltage, V_{OUTBST} is the boost output voltage and V_{OUT} is the buck output voltage, the steady state transfer functions are:

$$V_{OUTBST} = \frac{1}{1-D} \cdot V_{BAT} \quad (\text{EQ. 5})$$

$$V_{OUT} = D \cdot V_{OUTBST} = \frac{D}{1-D} \cdot V_{BAT} \quad (\text{EQ. 6})$$

From Equation 5 and Equation 6, Equation 7 can be derived to estimate the steady state boost output voltage as a function of V_{BAT} and V_{OUT} :

$$V_{OUTBST} = V_{BAT} + V_{OUT} \quad (\text{EQ. 7})$$

After the IC starts up, the boost buck converters can keep working when the battery voltage drops extremely low because the IC's bias (VCC) LDO is powered by the boost output. For an example of 3.3V output application, when the battery drops to 2V, the V_{IN} pin voltage is powered by the boost output voltage that is 5.2V (Equation 7), meaning the V_{IN} pin (buck input) still needs 5.2V to keep the IC working.

Note in the above mentioned case, the boost input current could be high because the input voltage is very low ($V_{IN} \cdot I_{IN} = V_{OUT} \cdot I_{OUT} \cdot \text{Efficiency}$). If the design is to achieve the low input operation with full load, the inductor and MOSFET have to be selected to have enough current ratings to handle the high current appearing at boost input. The boost inductor current are the same with the boost input current, which can be estimated in Equation 8, where P_{OUT} is the output power, V_{BAT} is the boost input voltage, and EFF is the estimated efficiency of the whole boost and buck stages.

$$I_{L_{IN}} = \frac{P_{OUT}}{V_{BAT} \cdot EFF} \quad (\text{EQ. 8})$$

Based on the same concerns of boost input current, the startup sequence must follow the rule that the IC is enabled after the boost input voltage rise above a certain level. The shutdown sequence must follow the rule that the IC is disabled first before the boost input power source is turned off. At boost mode applications where there is no external control signal to enable/disable the IC, an external input UVLO circuit must be implemented for the startup and shutdown sequence.

PFM is not available in boost mode.

Oscillator and Synchronization

The oscillator has a default frequency of 500kHz with the FS pin connected to VCC, ground, or floating. The frequency can be programmed to any frequency between 200kHz and 2.2MHz with a resistor from the FS pin to GND.

$$R_{FS}[k\Omega] = \frac{145000 - 16 \cdot FS[kHz]}{FS[kHz]} \quad (EQ. 9)$$

With the SYNC pins simply connected together, multiple ISL78200s can be synchronized. The slave ICs automatically have 180 degree phase shift with respect to the master IC.

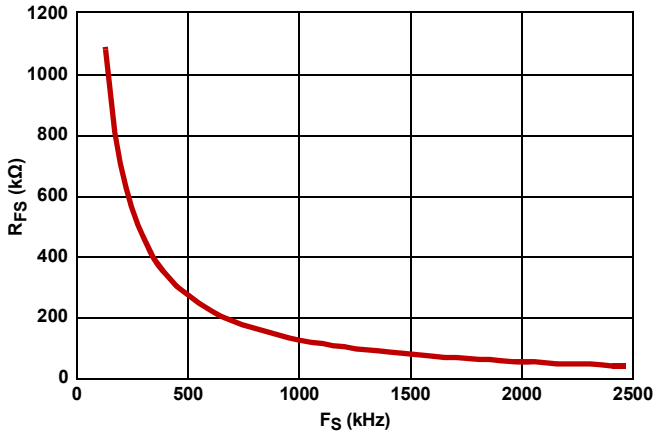


FIGURE 29. R_{FS} vs FREQUENCY

With an external square pulse waveform (with frequency 10% higher than the local frequency, 10% to 90% duty cycle and pulse width higher than 150ns) on the SYNC pin, the ISL78200 will synchronize its switching frequency to the fundamental frequency of the input waveform. The internal oscillator synchronizes with the leading edge of the input signal. The rising edge of UGATE PWM is delayed by 180 degrees from the leading edge of the external clock signal.

Fault Protection

Overcurrent Protection

The overcurrent function protects against any overload condition and output shorts at worst case, by monitoring the current flowing through the upper MOSFET.

There are 2 current limiting thresholds. The first one, I_{OC1}, is to limit the high-side MOSFET peak current cycle-by-cycle. The current limit threshold is set to default at 3.6A with the ILIMIT pin connected to GND or VCC, or left open. The current limit threshold can also be programmed by a resistor, R_{LIM}, at the ILIMIT pin to ground. Use Equation 10 to calculate the resistor.

$$R_{LIM} = \frac{300000}{I_{OC}[A] + 0.018} \quad (EQ. 10)$$

Note that with the lower R_{LIM}, I_{OC1} is higher. I_{OC1} reaches its maximum 5.4A with R_{LIM} at 54.9k (TYP), the OC limit goes to its default value of 3.6A (TYP).

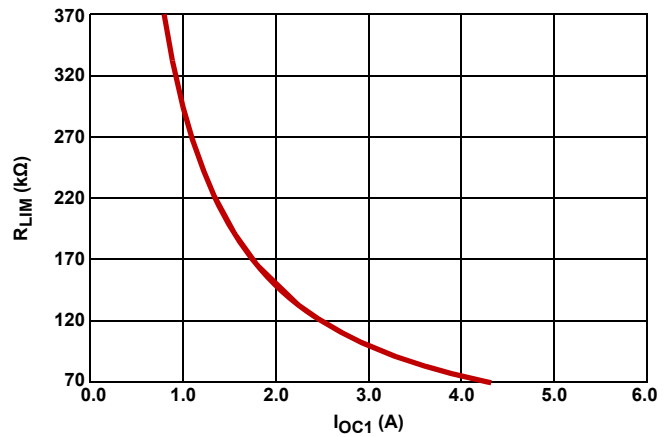


FIGURE 30. R_{LIM} vs I_{OC1}

The second current protection threshold, I_{OC2}, is 15% higher than I_{OC1} mentioned above. At the instant the high-side MOSFET current reaches I_{OC2}, the PWM shuts off after a 2 cycle delay and the IC enters hiccup mode. In hiccup mode, the PWM is disabled for a dummy soft-start duration equal to 5 regular soft-start periods. After this dummy soft-start cycle, the true soft-start cycle is attempted again. The I_{OC2} offers a robust and reliable protection against worst case conditions.

The frequency fold back is implemented for the ISL78200. When overcurrent limiting, the switching frequency is reduced to proportional to the output voltage in order to keep the inductor current under the limit threshold during overload condition. The low limit of frequency under frequency foldback is 40kHz.

Overvoltage Protection

If the voltage detected on the FB pin is over 110% of reference, the high-side and low-side drivers shut down immediately and won't be allowed on until the FB voltage falls down to 0.8V. When the FB voltage drops to 0.8V, the drivers are released on. If the 120% overvoltage threshold is reached, the high-side and low-side driver shut down immediately and the IC is latched off. The IC has to be reset for restart.

Thermal Protection

The ISL78200 PWM will be disabled if the junction temperature reaches +155°C. A +15°C hysteresis insures that the device will not restart until the junction temperature drops below +140°C.

Component Selections

Output Capacitors

Output capacitors are required to filter the inductor current and supply the load transient current.

All ceramic output capacitors are achievable with this IC. Also, in applications the aluminum electrolytic type capacitor provides better load transient and longer holdup time for the load. When low cost, high ESR aluminum capacitors are used at the output, a ceramic capacitor (2.2μF to 10μF) is recommended to handle the ripple current and reduce the total equivalent ESR effectively.

Input Capacitors

Depending upon the system input power rail conditions, the aluminum electrolytic type capacitor is normally needed to provide the stable input voltage and restrict the switching frequency pulse current in small areas over the input traces for better EMC performance. The input capacitor should be able to handle the RMS current from the switching power devices.

Ceramic capacitors must be used at the VIN pin of the IC and multiple capacitors including 1 μ F and 0.1 μ F are recommended. Place these capacitors as closely as possible to the IC.

Output Inductor

Generally the inductor should filter the current ripple to 30~40% of the regulator's maximum average output current. The low DCR inductor should be selected for the highest efficiency. Also, the inductor saturation current rating should be higher than the highest transient expected.

Low Side Power MOSFET

In synchronous buck application, a power N MOSFET is needed as the synchronous low side MOSFET and it must have low $r_{DS(ON)}$, lowest R_g ($R_{g_typ} < 1.5\Omega$ recommended), V_{gth} ($V_{gth_min} \geq 1.2V$) and Q_{gd} . A good example is BSZ100N06LS3G.

Output Voltage Feedback Resistor Divider

The output voltage can be programmed down to 0.8V by a resistor divider from V_{OUT} to FB according to Equation 11.

$$V_{OUT} = 0.8 \cdot \left(1 + \frac{R_{UP}}{R_{LOW}} \right) \quad (EQ. 11)$$

In applications requiring the least input quiescent current, large resistors should be used for the divider to keep its leakage current low. 232k is a recommended for the upper resistor.

Compensation Network

With peak current mode control, type II compensation is normally used for most of applications. However, in applications seeking to achieve higher bandwidth, type III compensation is good to use.

Note in applications where the PFM mode is desired, and type III compensation network is used, the value of the capacitor between the COMP pin and the FB pin (not the capacitor in series with the resistor between COMP and FB) should be minimal to reduce the noise coupling for proper PFM operation. 10pF is recommended for this capacitor between COMP and FB at PFM applications. A capacitor (<1nF) at the FB pin to ground also helps proper PFM mode operation.

Boost Inductor

Besides the need to sustain the current ripple to be within a certain range (30% to 50%), the boost inductor current at its soft-start is a more important perspective to be considered in selection of the boost inductor. Each time the boost starts up, there is a fixed 500 μ s soft-start time when the duty cycle increase linearly from t_{MINON} to ~50%. Before and after boost start-up, the boost output voltage will jump from V_{IN_boost} to voltage ($V_{IN_boost} + V_{OUT_buck}$). The design target in boost

soft-start is to ensure the boost input current is sustained to a minimum but capable of charging the boost output voltage to have a voltage step equaling to V_{OUT_buck} . A big inductor will block the inductor current increase and not high enough to be able to charge the output capacitor to the final steady state value ($V_{IN_boost} + V_{OUT_buck}$) within 500 μ s. A 6.8 μ H inductor is a good starting point for its selection in design. The boost inductor current at start-up must be checked by an oscilloscope to ensure it is under the acceptable range.

Boost Output Capacitor

Based on the same theory in boost start-up described above in boost inductor selection, a large capacitor at boost output will cause high inrush current at boost PWM start-up. 22 μ F is a good choice for applications with buck output voltage less than 10V. Also, some minimum amount of capacitance has to be used in boost output to keep the system stable.

Layout Suggestions

1. Put the input ceramic capacitors as close to the IC VIN pin and power ground connecting to the power MOSFET or diode. Keep this loop (input ceramic capacitor, IC V_{IN} pin and MOSFET/diode) as tiny as possible to achieve the least voltage spikes induced by the trace parasitic inductance.
2. Put the input aluminum capacitors close to IC VIN pin.
3. Keep the phase node copper area small but large enough to handle the load current.
4. Put the output ceramic and aluminum capacitors also close to the power stage components.
5. Put vias (≥ 15) in the bottom pad of the IC. The bottom pad should be placed in the ground copper plane with an area as large as possible in multiple layers to effectively reduce the thermal impedance.
6. Place the 4.7 μ F ceramic decoupling capacitor at the VCC pin and as close as possible to the IC. Put multiple vias (≥ 3) close to the ground pad of this capacitor.
7. Keep the bootstrap capacitor close to the IC.
8. Keep the LGATE drive trace as short as possible and try to avoid using a via in the LGATE drive path to achieve the lowest impedance.
9. Place the positive voltage sense trace close to the load for tighter regulation.
10. Place all the peripheral control components close to the IC.

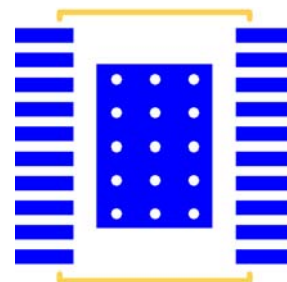


FIGURE 31. PCB VIA PATTERN

ISL78200

Revision History

The revision history provided is for informational purposes only and is believed to be accurate, but not warranted. Please go to web to make sure you have the latest Rev.

| DATE | REVISION | CHANGE |
|--------------------|----------|-----------------|
| September 22, 2011 | FN7641.0 | Initial Release |

Products

Intersil Corporation is a leader in the design and manufacture of high-performance analog semiconductors. The Company's products address some of the industry's fastest growing markets, such as, flat panel displays, cell phones, handheld products, and notebooks. Intersil's product families address power management and analog signal processing functions. Go to www.intersil.com/products for a complete list of Intersil product families.

For a complete listing of Applications, Related Documentation and Related Parts, please see the respective device information page on intersil.com: [ISL78200](http://www.intersil.com/ISL78200)

To report errors or suggestions for this datasheet, please go to www.intersil.com/askourstaff

FITs are available from our website at <http://rel.intersil.com/reports/search.php>

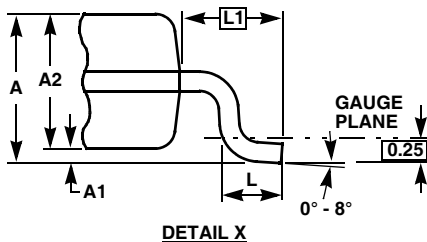
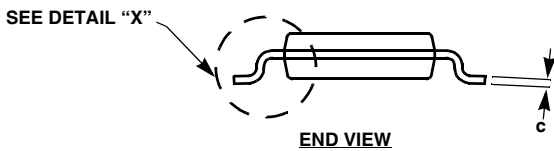
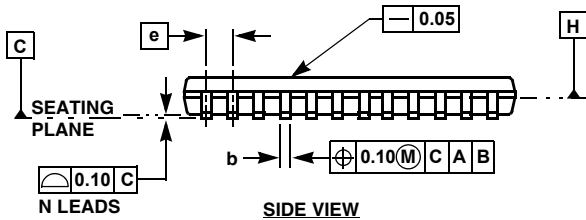
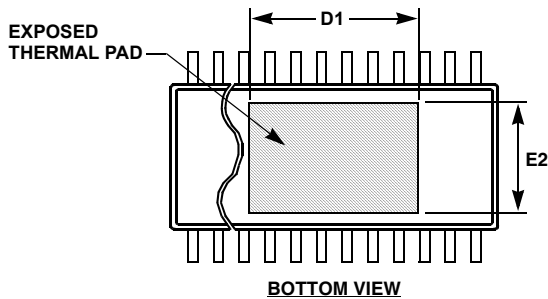
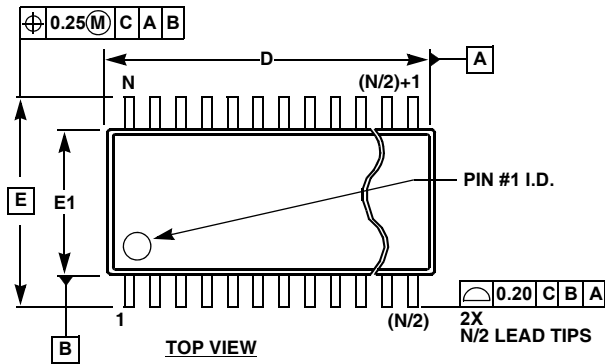
For additional products, see www.intersil.com/product_tree

Intersil products are manufactured, assembled and tested utilizing ISO9000 quality systems as noted in the quality certifications found at www.intersil.com/design/quality

Intersil products are sold by description only. Intersil Corporation reserves the right to make changes in circuit design, software and/or specifications at any time without notice. Accordingly, the reader is cautioned to verify that data sheets are current before placing orders. Information furnished by Intersil is believed to be accurate and reliable. However, no responsibility is assumed by Intersil or its subsidiaries for its use; nor for any infringements of patents or other rights of third parties which may result from its use. No license is granted by implication or otherwise under any patent or patent rights of Intersil or its subsidiaries.

For information regarding Intersil Corporation and its products, see www.intersil.com

HTSSOP (Heat-Sink TSSOP) Family



MDP0048

HTSSOP (HEAT-SINK TSSOP) FAMILY

| SYMBOL | MILLIMETERS | | | | | TOLERANCE |
|--------|-------------|-------|-------|-------|-------|-------------|
| | 14 LD | 20 LD | 24 LD | 28 LD | 38 LD | |
| A | 1.20 | 1.20 | 1.20 | 1.20 | 1.20 | Max |
| A1 | 0.075 | 0.075 | 0.075 | 0.075 | 0.075 | ±0.075 |
| A2 | 0.90 | 0.90 | 0.90 | 0.90 | 0.90 | +0.15/-0.10 |
| b | 0.25 | 0.25 | 0.25 | 0.25 | 0.22 | +0.05/-0.06 |
| c | 0.15 | 0.15 | 0.15 | 0.15 | 0.15 | +0.05/-0.06 |
| D | 5.00 | 6.50 | 7.80 | 9.70 | 9.70 | ±0.10 |
| D1 | 3.2 | 4.2 | 4.3 | 5.0 | 7.25 | Reference |
| E | 6.40 | 6.40 | 6.40 | 6.40 | 6.40 | Basic |
| E1 | 4.40 | 4.40 | 4.40 | 4.40 | 4.40 | ±0.10 |
| E2 | 3.0 | 3.0 | 3.0 | 3.0 | 3.0 | Reference |
| e | 0.65 | 0.65 | 0.65 | 0.65 | 0.50 | Basic |
| L | 0.60 | 0.60 | 0.60 | 0.60 | 0.60 | ±0.15 |
| L1 | 1.00 | 1.00 | 1.00 | 1.00 | 1.00 | Reference |
| N | 14 | 20 | 24 | 28 | 38 | Reference |

Rev. 3 2/07

NOTES:

1. Dimension "D" does not include mold flash, protrusions or gate burrs. Mold flash, protrusions or gate burrs shall not exceed 0.15mm per side.
2. Dimension "E1" does not include interlead flash or protrusions. Interlead flash and protrusions shall not exceed 0.25mm per side.
3. Dimensions "D" and "E1" are measured at Datum Plane H.
4. Dimensioning and tolerancing per ASME Y14.5M-1994.