



- Ethernet based LAN, WAN and other networking applications
- Low Profile
- LL: 0.5μH Max @ 100KHz, 200mV
- DCR: 0.9Ω Max
- Cw/w: 25PF TYP @ 100KHz, 200mV
- Operating Temp: 0°C to +70°C

Electrical Specifications @ 25°C

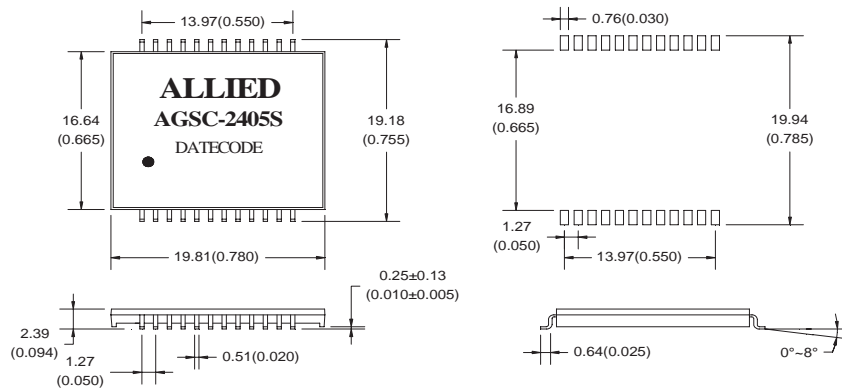
Part Number	OCL(μH Min) @ 100kHz, 200mV	Turns Ratio chip: cable (±5%)	Insertion Loss (dB Max)	Return Loss (dB Min)				
	With 8mA DC Bias			1-30MHz	40MHz	50MHz	60-80MHz	100MHz
AGSC-2405S	350	1CT:1	-1.0 Max	-18	-14.4	-13.1	-12	-10

Electrical Specifications @ 25°C

Part Number	Common Mode Rejection (dB Min)			Cross Talk (dB Min)			Isolation HI-POT (Vrms) 60S
	30MHz	60MHz	100MHz	30MHz	60MHz	100MHz	
AGSC-2405S	-43	-37	-33	-43.5	-37.5	-33	1500

All specifications subject to change without notice.

MECHANICAL



Dimensions: inches(mm)
Unless otherwise specified, all tolerances are ±0.010(0.25)

SCHEMATICS

