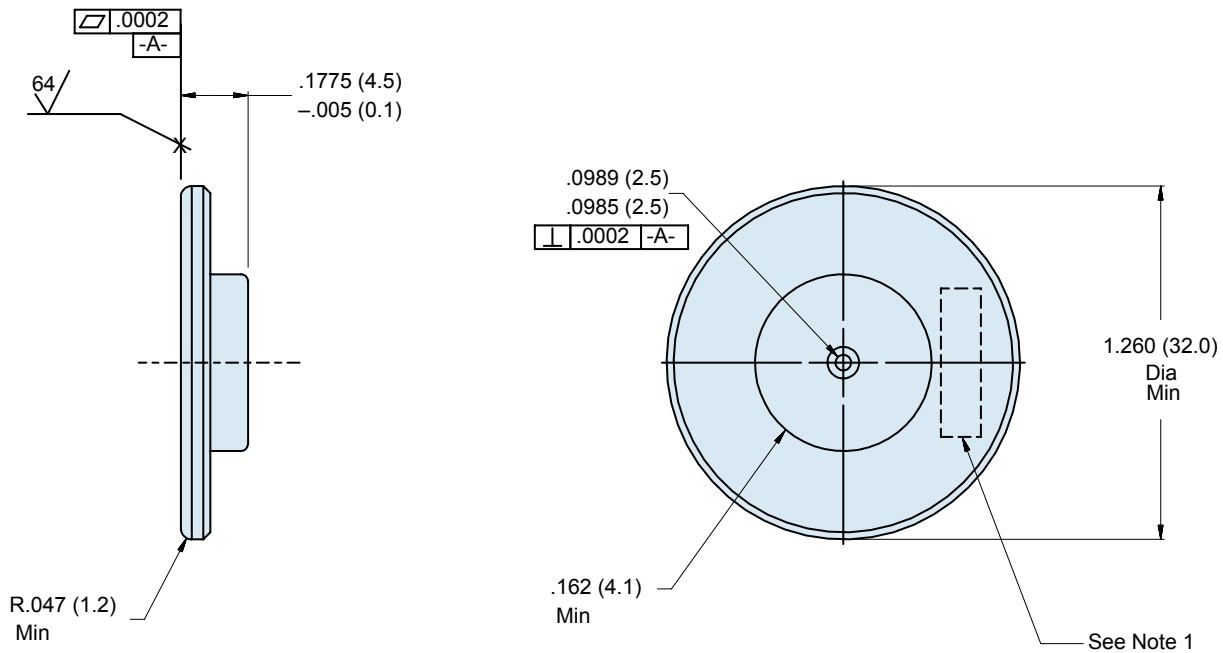


**182-007**  
**Fiber Optic Termini Polishing Tool**  
 for 181-045 2.5 mm Termini



**182-007 W**  
 Product Series ———  
 Basic Number ———  
 W = Wet Polish Supplied  
 with V-Grooves  
 (Omit for Dry Polish)



**APPLICATION NOTES**

- 1 Assembly marked with part number, 06324 and date code.
2. Material/ Finish: Stainless Steel/Pasivated
3. Metric dimensions (mm) are in parentheses.