

PLEASE CHECK WWW.MOLEX.COM FOR LATEST PART INFORMATION

Part Number: [0014441620](#)
Status: **Active**
Overview: [cgrid_sl_products](#)
Description: 2.54mm (.100") Pitch SL™ Insulation Displacement Connector Assembly, Male, Single Row, Version D, Back Ribs, for Wire Size 26, 0.38µm (15µ") Gold (Au), 20 Circuits

Documents:

[3D Model](#) [Product Specification PS-70400 \(PDF\)](#)
[Drawing \(PDF\)](#) [RoHS Certificate of Compliance \(PDF\)](#)

Agency Certification

CSA LR19980
 UL E29179

General

Product Family Ribbon Cable / Wire Trap Connectors
 Series [70475](#)
 Comments Terminals Preloaded
 Component Type Housing
 Glow-Wire Compliant No
 Overview [cgrid_sl_products](#)
 Product Name SL™

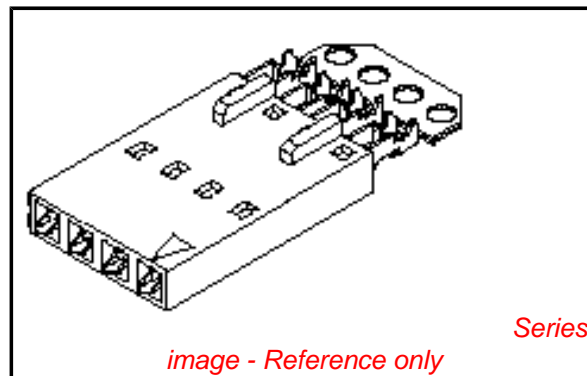
Physical

Circuits (Loaded) 20
 Color - Resin Black
 Durability (mating cycles max) 50
 Entry Angle Vertical
 Flammability 94V-0
 Lock to Mating Part None
 Material - Metal Phosphor Bronze
 Material - Plating Mating Gold
 Material - Plating Termination Tin
 Material - Resin Polyester Alloy
 Number of Rows 1
 PCB Retention None
 Packaging Type Tube
 Pitch - Mating Interface (in) 0.100 In
 Pitch - Mating Interface (mm) 2.54 mm
 Plating min: Mating (µin) 15
 Plating min: Mating (µm) 0.38
 Plating min: Termination (µin) 75
 Plating min: Termination (µm) 1.91
 Polarized to Mating Part No
 Stackable Yes
 Surface Mount Compatible (SMC) N/A
 Temperature Range - Operating -40°C to +105°C
 Termination Interface: Style IDT or Pierce
 Wire Insulation Diameter 1.35mm (.053") max.
 Wire Size AWG 26
 Wire/Cable Type Discrete Wire, Ribbon Cable

Electrical

Current - Maximum per Contact 1.8A
 Voltage - Maximum 250V

Material Info



EU RoHS
ELV and RoHS
Compliant
REACH SVHC
Not Reviewed
Halogen-Free
Status
Not Reviewed

China RoHS



Need more information on product environmental compliance?

Email productcompliance@molex.com
 For a multiple part number RoHS Certificate of Compliance, [click here](#)

Please visit the [Contact Us](#) section for any non-product compliance questions.

Search Parts in this Series

[70475Series](#)

Mates With

[70004](#) Interim Clip (Single Row), [70013](#) Interim Clip (Dual Row)

Use With

[7307](#) Tinned 28AWG, [7767](#) Topcoat 28AWG, [24241](#) Tinned 26AWG, [8996](#) Topcoat 26AWG, [24226](#) Tinned 24AWG, [8997](#) Topcoat 24AWG, [24369](#) High Flex 26AWG, [24389](#) High Flex 24AWG

Old Part Number

70475-0789

Reference - Drawing Numbers

Product Specification

PS-70400

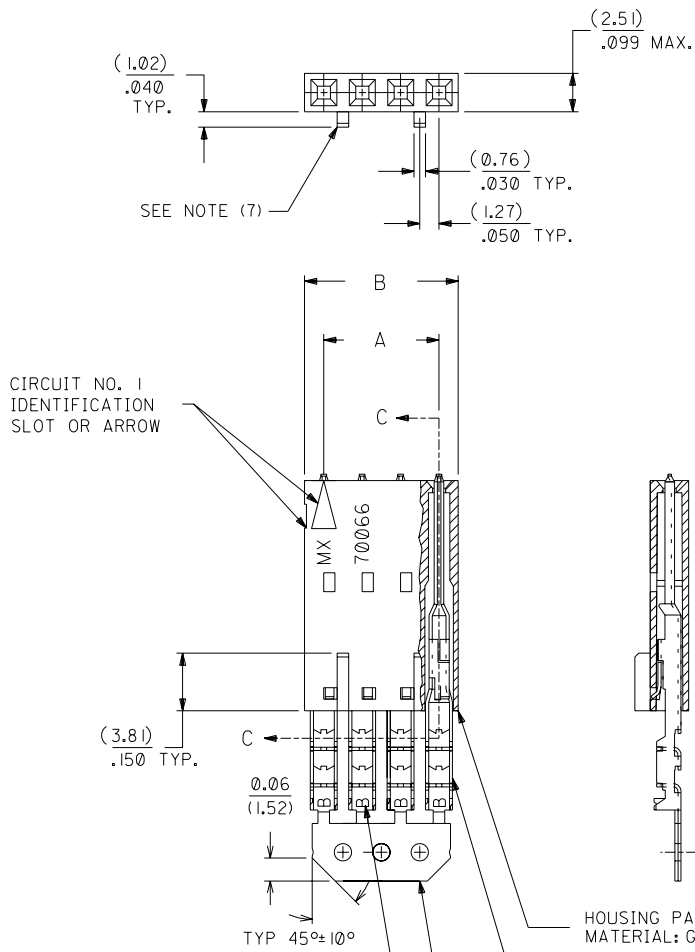
This document was generated on 05/24/2010

PLEASE CHECK WWW.MOLEX.COM FOR LATEST PART INFORMATION

OPTION D

NOTES:

- 1) TO BE USED WITH (26) AWG. STRANDED WIRE WITH (1.35)/.053 DIA. MAX. INSULATION.
- 2) SEE CHART FOR CIRCUIT SIZES.
- 3) STANDARD PACKAGING PER PK-70873-0001. OPTIONAL PACKAGING MAY BE AVAILABLE, REQUEST DWG. PK-70475.
- 4) PARTS STACKABLE END TO END ON (2.54)/.100 CENTERS.
- 5) REFER TO PRODUCT SPECIFICATION: PS-70475.
- 6) SEE DWG. SDA-70475-***** (SHT.3) FOR OPTIONAL HOUSING DETAILS.
- 7) 4 CIRCUIT SHOWN. 3 - 25 CKT'S. HAVE (2) RIBS.
- 8) TO MATE WITH MOLEX PART NO'S.: 70018-****, 70022-****, 70104-****.
- 9) 2 CIRCUIT ASSEMBLIES SUPPLIED AS GROUPED PAIRS.



SECTION C-C

| I.D. SLOT CODE TO WIRE GAUGE CHART | |
|------------------------------------|------------|
| I.D. SLOT CODE | WIRE GAUGE |
| B | 26 AWG. |

| PLATING CODE (STRIPE ON CARRIER STRIP) | |
|--|--------|
| PLATING | COLOR |
| 15 GOLD | YELLOW |

15 GOLD - .000015 MINIMUM GOLD IN SELECT AREA WITH .000075 MINIMUM TIN IN SELECT AREA OVER .000050 MINIMUM NICKEL OVER-ALL.

*THE PRIMARY SHIPPING CARTON WILL BE LABELED "COMPLIANT TO RoHS DIRECTIVE 2002/95/EC AND ELV ANNEX II OF DIRECTIVE 2000/53/EC". CARTONS WITHOUT THIS LABEL MAY CONTAIN PRODUCT WITH LEAD.

| CKT. SIZE | A | B | EDP. NO. | ENG. NO. |
|-----------|--------------------|--------------------|------------|--------------|
| 2 | (2.54) .100 | (5.05) .199 | 14-44-1602 | A-70475-0771 |
| 3 | (5.08) .200 | (7.59) .299 | 14-44-1603 | A-70475-0772 |
| 4 | (7.62) .300 | (10.13) .399 | 14-44-1604 | A-70475-0773 |
| 5 | (10.16) .400 | (12.67) .499 | 14-44-1605 | A-70475-0774 |
| 6 | (12.70) .500 | (15.21) .599 | 14-44-1606 | A-70475-0775 |
| 7 | (15.24) .600 | (17.75) .699 | 14-44-1607 | A-70475-0776 |
| 8 | (17.78) .700 | (20.29) .799 | 14-44-1608 | A-70475-0777 |
| 9 | (20.32) .800 | (22.83) .899 | 14-44-1609 | A-70475-0778 |
| 10 | (22.86) .900 | (25.37) .999 | 14-44-1610 | A-70475-0779 |
| 11 | (25.54) 1.000 | (27.91) 1.099 | 14-44-1611 | A-70475-0780 |
| 12 | (27.94) 1.100 | (30.45) 1.199 | 14-44-1612 | A-70475-0781 |
| 13 | (30.48) 1.200 | (32.99) 1.299 | 14-44-1613 | A-70475-0782 |
| 14 | (33.02) 1.300 | (35.53) 1.399 | 14-44-1614 | A-70475-0783 |
| 15 | (35.56) 1.400 | (38.07) 1.499 | 14-44-1615 | A-70475-0784 |
| 16 | (38.01) 1.500 | (40.61) 1.599 | 14-44-1616 | A-70475-0785 |
| 17 | (40.64) 1.600 | (43.15) 1.699 | 14-44-1617 | A-70475-0786 |
| 18 | (43.18) 1.700 | (45.69) 1.799 | 14-44-1618 | A-70475-0787 |
| 19 | (45.72) 1.800 | (48.23) 1.899 | 14-44-1619 | A-70475-0788 |
| 20 | (48.26) 1.900 | (50.77) 1.999 | 14-44-1620 | A-70475-0789 |
| 21 | (50.80) 2.000 | (53.31) 2.099 | 14-44-1621 | A-70475-0790 |
| 22 | (53.34) 2.100 | (55.85) 2.199 | 14-44-1622 | A-70475-0791 |
| 23 | (55.88) 2.200 | (58.39) 2.299 | 14-44-1623 | A-70475-0792 |
| 24 | (58.42) 2.300 | (60.93) 2.399 | 14-44-1624 | A-70475-0793 |
| 25 | (60.96) 2.400 | (63.47) 2.499 | 14-44-1625 | A-70475-0794 |

| LTR. | REVISIONS | LTR. | REVISIONS |
|------|---|------|---------------------------------------|
| E | REVISED PER ECR NO. U82124 10-17-88 MGB | D | REVISE PER ECR #U81370 5/20/88 MJM |
| F | LEAD FREE LCP2004-1769 RWHITE 04/03/24 | C | REDRAWN ON CAD ECR# 8842 5/23/86 W.Z. |
| EI | ADD CARRIER CHAMF ECN #UDT1998-0280 05/20/98 LMCGRATH | | |

| DIMENSIONS SHOWN (METRIC) INCH | |
|---|-----------------------------|
| UNLESS OTHERWISE SPECIFIED TOLERANCES: ANGULAR ± 1/2° | |
| 3 PLACE | ± .010 INCH / --- METRIC |
| 2 PLACE | ± .014 INCH / ± 0.25 METRIC |
| 1 PLACE | --- INCH / ± 0.35 METRIC |

REVISIONS: □ = , ▽ = REVISE ONLY ON CAD SYSTEM

TITLE: ASSEMBLY, SL CONNECTOR (SINGLE ROW - (2.54)/.100 GRID)

MOLEX INCORPORATED SHEET NO. DATE 10/13/84
LISLE, ILL. 60532 U.S.A.

PART NO. SDA-70475-0771-0794
DRWG. NO.

SEE CHART

DRWG. BY: WAZ CHK'D BY: WAZ
APP'D BY: RL SCALE: 4 : 1

THIS DRAWING CONTAINS INFORMATION THAT IS PROPRIETARY TO MOLEX INC. AND SHOULD NOT BE USED WITHOUT WRITTEN PERMISSION.