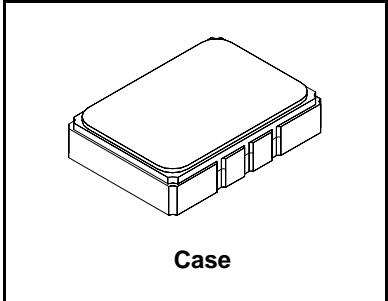




**XVC5002**

**122.88 MHz  
VCXO**



- **Voltage-controlled Crystal Oscillator**
- **Complementary PECL Output**
- **Enable/Disable Input**
- **7.2 x 5.2 x 1.8 mm Surface-mount Case**
- **Complies with Directive 2002/95/EC (RoHS)**

**Electrical Characteristics**

Characteristic	Sym	Notes	Minimum	Typical	Maximum	Units
Nominal Frequency	fo			122.88		MHz
Component Storage Temperature			-55		+125	°C
Storage Temperature in Tape and Reel			-40		+85	°C
Operating Temperature Range			-40		+85	°C
Power Supply Voltage	Vdd		2.97	3.30	3.63	V
Load Impedance				50		ohm
Output Logic Low ("0" level)			Vdd - 1.810		Vdd - 1.620	V
Output Logic High ("1" level)			Vdd - 1.025		Vdd - 0.880	V
Duty Cycle Symmetry			45		55	%
Output Rise Time, 20% to 80% Vdd					1.0	ns
Output Fall Time, 80% to 20% Vdd					1.0	ns
Power Supply Current	Idd				80	mA
Control Voltage Input Range	Vcon			1.65 ±1.35		V
Frequency Stability					±50	ppm
Frequency Tuning Range, 1.65 ±1.35 V		1	±50			ppm
Start Up Time					10	ms
Enable Voltage Logic High			0.7 Vdd			-
Enable Voltage Logic Low					0.3 Vdd	-
Phase Jitter, integrated over 12 kHz to 20 MHz					1.0	ps
Standard Shipping Quantity on 180 mm (7") Reel				1000		units
Lid Symbolization				5002    YWWS		



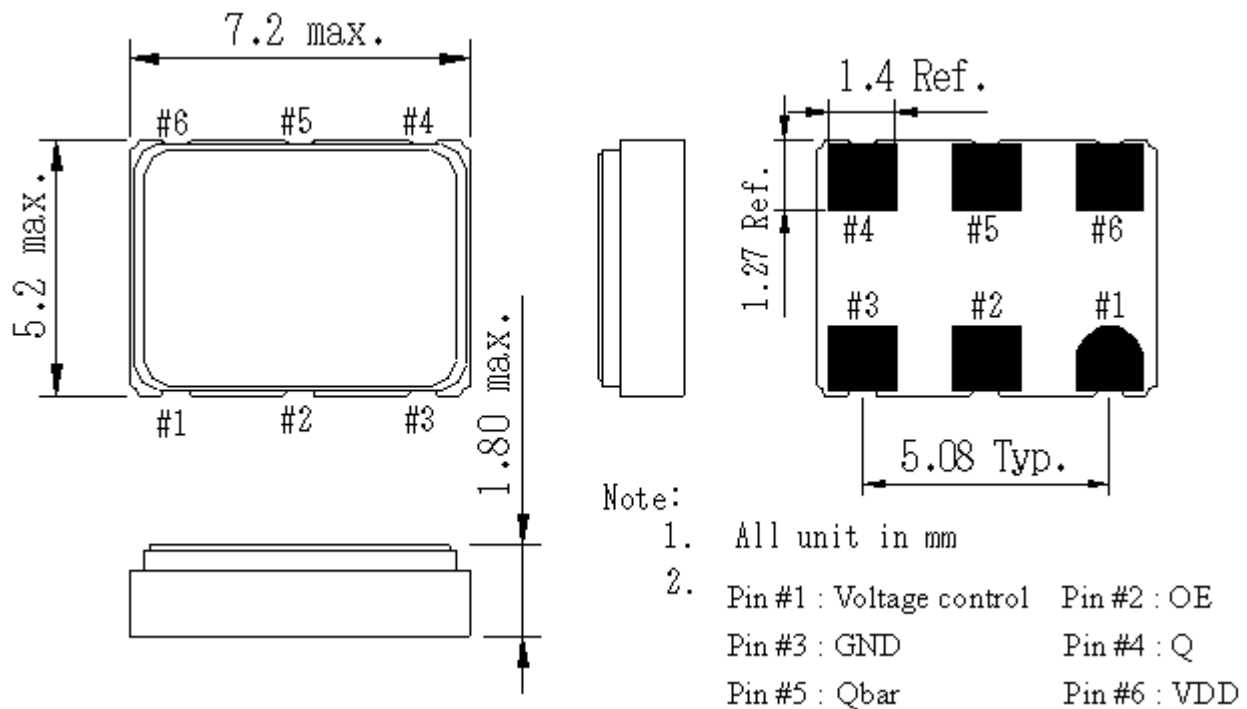
**CAUTION: Electrostatic Sensitive Device. Observe precautions for handling.**

**Notes:**

1. Frequency tuning range beyond the initial tolerance at 25 °C, plus drift due to changes in temperature, power supply voltage and aging.
2. The design, manufacturing process, and specifications of this device are subject to change without notice.

---

## Case Dimensions and Pin Functions



### Enable/Disable Function:

If Pin 2 is logic high or open, differential outputs on Pins 4 and 5 are enabled.

If Pin 2 is logic low, differential outputs on Pins 4 and 5 are disabled.

