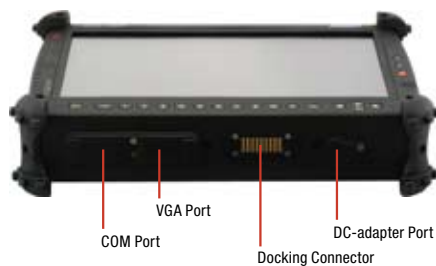
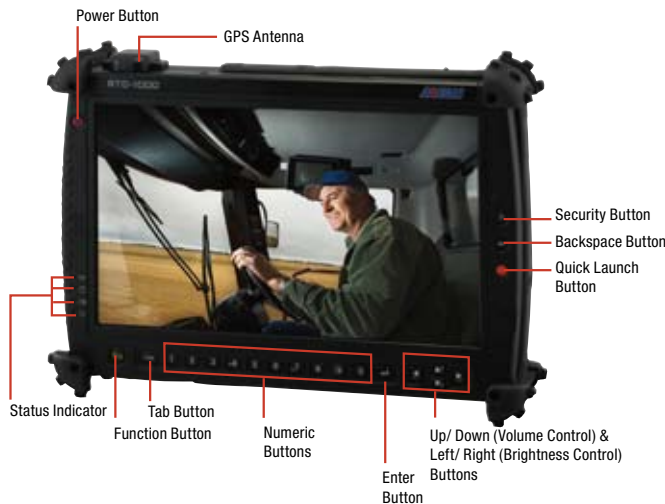


RTC-1000A

10.2" Rugged Tablet Computer



Features

- Intel® Atom™ N270 1.6GHz Processor
- DDR2 SODIMM Socket x 1, Up To 2GB (Optional)
- 10.2" 1024 x 600 500-nit TFT LCD Sunlight Readable Display (Optional)
- Touch Screen, Advanced Optibond Technology (AOT™)
- Rugged, Water and Dust Proof, IP65 Compliance
- PCMCIA or Smart Card, CompactFlash™ Card Sockets
- 9-Cell Smart Li-Ion High-Capacity Battery, 7-Hour Battery Life
- WiFi 802.11 b/g + Bluetooth® 2.0
- GSM/ 3G/ 3.5G (Optional), GPS (Optional)
- Built-in G-Sensor
- Numeric Keypad, Programmable Function Keys



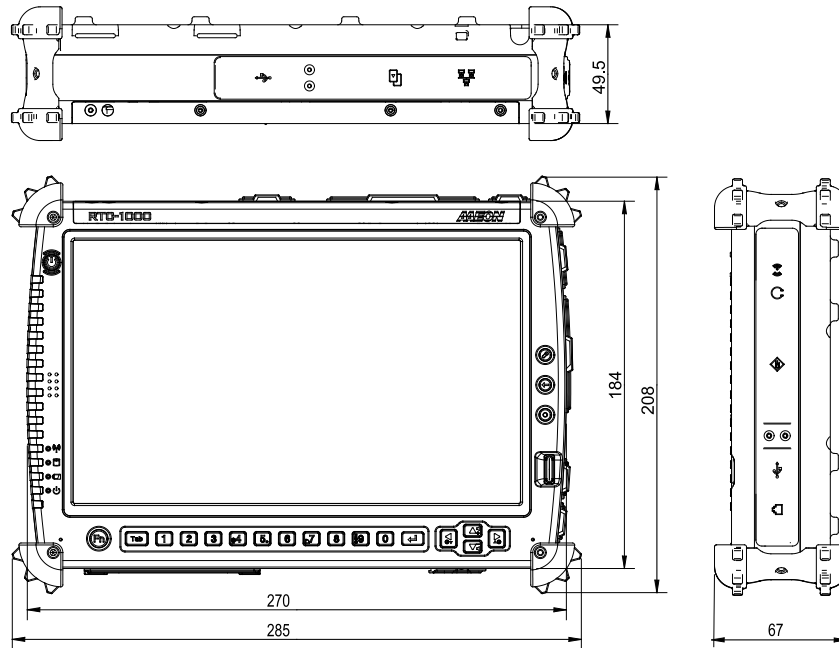
Specifications

| System | |
|-----------------------|--|
| Processor | Intel® Atom™ N270 1.6 GHz processor |
| System Memory | 200-pin DDR2 SODIMM socket x 1, up to 2 GB (Optional) |
| LCD / CRT Controller | Intel® 945GSE |
| LCD Display | 10.2" WSVGA (1024 x 600) TFT LCD with Touch Screen (AOT) |
| Communication | Gigabit Ethernet, RJ-45 x 1 WLAN 802.11 b/g + Bluetooth® 2.0 Class 1 3.5G Modem module (Optional) |
| I/O Port | COM x 1 (RS-232/422/485) USB2.0 x 2 Mini USB x 1 VGA x 1 Docking port (Contact pins with USB/COM/VGA/Power signals) x 1 Two Audio in/out jacks for Microphone/ Earphone |
| Storage Disk | 2.5" SATA Hard Disk/SSD (Optional) |
| Expansion Slot | PCMCIA (Default) or Smart Card x 1, Mini Card x 2 (Internal), CompactFlash™ (Default) x 1, SIM x 1 |
| OS Support | Windows® Embedded Standard 2009 (Default), Windows® Embedded Standard 7 (Optional), Linux: Ubuntu 9.04 (Optional) |
| Mechanical | |
| Construction | Al-Mg alloy |
| Color | Black |
| Dimension | 10.63" (W) x 7.24" (D) x 1.93" (H) (270mm x 184mm x 49mm) |
| Carton Dimension | 17.95" (W) x 11.69" (D) x 15.27" (H) (456mm x 297mm x 388mm) |
| Gross Weight | 5 lb (2.3 kg), including 9-cell battery, hand strap & bumpers |
| Environmental | |
| Operating Temperature | -4°F ~ 140°F (-20°C ~ 60°C) |
| Storage Temperature | -67°F ~ 167°F (-55°C ~ 75°C) |
| Operating Humidity | 10 to 95% @ 40°C, non-condensing |
| Water & Dust Proof | IP65 Compliance |
| Vibration | Meets MIL-STD-810G-514.6, Procedure I Cat. 24, Fig. 514.6E-1 & 514.6E-2 (Unit is powered off) ASTM 4169-99 Truck Assurance Level 2, Schedule E (Unit is operating) |
| Drop | 26 drops of 48 inches height to 2" plywood over concrete with unit off MIL-STD-810G-516.6, Procedure IV |
| ESD | Air +/- 8KV, Contact +/- 4KV, IEC61000-4-2 |
| EMC/ Safety | CE / FCC Class B / UL |
| Power Supply | |
| AC/ DC Adapter | AC Power input: 100V-240V, 50Hz-60Hz, 65W DC Power output: 19V |
| Battery | 3S3P 9-cell (7,800 mAh) battery, 7-Hour battery life |

RTC-1000A

Dimension

Unit: mm



| LCD | |
|--------------------|--|
| Display Type | 10.2" 16:9 TFT LCD |
| Max. Resolution | 1024 x 600 |
| Max. Color | 262K colors |
| Dot Size | 0.2175 x 0.2175 |
| Luminance | 200/500 cd/m ² (Optional) |
| View Angle | Vertical 60° (R)/ 60° (L) Horizontal 70° (U)/ 70° (L) |
| Touch Screen | |
| Type | 4-wire, Analog Resistive |
| Resolution | 1024 x 600 |
| Light Transmission | ≥ 85% |

Note: RTC-1000A has a RJ-11 connector, but the cable modem function has been removed.

Ordering Information

- **TF-RTC-1000A1-TA-WB-1110**
Rugged Tablet Computer, Intel® Atom™ N270 1.6 GHz, 10.2" 200 nits, DC19V, TS/AOT, 1 GB RAM, 80 GB HDD, Windows® Embedded Standard 2009, WiFi, Bluetooth®
- **TF-RTC-1000A1-TAS-WB-1110**
Rugged Tablet Computer, Intel® Atom™ N270 1.6 GHz, 10.2" 500 nits, DC19V, TS/AOT/Sunlight Readable, 1 GB RAM, 80 GB HDD, Windows® Embedded Standard 2009, WiFi, Bluetooth®

Optional Accessories

- **AP-LN9686879000**
3.5G Modem Module Kit
- **9761100016**
GPS Module Kit
- **TF-RDS-141V-0000**
Office Docking Station
- **TF-RDS-141V-0002**
Vehicle Docking Station
- **1757407201**
Vehicle DC/DC Adapter
- **2192619061**
Carry Bag