



SANYO Semiconductors

# DATA SHEET

An ON Semiconductor Company

## STK433-060N-E — Thick-Film Hybrid IC 2channel class-AB Audio Power IC 50W+50W

### Overview

The STK433-060N-E is a hybrid IC designed to be used in 50W × 2ch class AB audio power amplifiers.

### Application

- Audio Power amplifiers

### Features

- Pin-to-pin compatible outputs ranging from 40W to 150W.
- Output load impedance:  $R_L = 6\Omega$  recommended.
- Allows the use of predesigned applications for standby and mute circuit.
- Miniature package.
- Allowable load shorted time: 0.3 second

### Series model

	STK433-040N-E	STK433-060N-E	STK433-130N-E	STK433-330N-E
Output1 (10%/1kHz)	40W × 2ch	50W × 2ch	150W × 2ch	150W × 3ch
Output2 (0.4%/20Hz to 20kHz)	25W × 2ch	35W × 2ch	100W × 2ch	100W × 3ch
Max. rating $V_{CC}$ (quiescent)	±38V	±46V	±71.5V	±71.5V
Max. rating $V_{CC}$ (6Ω)	±36V	±40V	±63V	±63V
Recommended operating $V_{CC}$ (6Ω)	±24V	±27V	±44V	±44V
Dimensions (excluding pin height)	47.0mm×25.6mm×9.0mm		67.0mm×25.6mm×9.0mm	64.0mm×36.6mm×9.0mm

	STK433-840N-E	STK433-870N-E	STK433-890N-E
Output1 (10%/1kHz)	40W × 4ch	60W × 4ch	80W × 4ch
Output2 (0.4%/20Hz to 20kHz)	25W × 4ch	40W × 4ch	50W × 4ch
Max. rating $V_{CC}$ (quiescent)	±38V	±50V	±54V
Max. rating $V_{CC}$ (6Ω)	±36V	±44V	±47V
Recommended operating $V_{CC}$ (6Ω)	±25V	±30V	±34V
Dimensions (excluding pin height)	64.0mm×31.1mm×9.0mm		78.0mm×44.1mm×9.0mm

■ Any and all SANYO Semiconductor Co.,Ltd. products described or contained herein are, with regard to "standard application", intended for the use as general electronics equipment. The products mentioned herein shall not be intended for use for any "special application" (medical equipment whose purpose is to sustain life, aerospace instrument, nuclear control device, burning appliances, transportation machine, traffic signal system, safety equipment etc.) that shall require extremely high level of reliability and can directly threaten human lives in case of failure or malfunction of the product or may cause harm to human bodies, nor shall they grant any guarantee thereof. If you should intend to use our products for new introduction or other application different from current conditions on the usage of automotive device, communication device, office equipment, industrial equipment etc. , please consult with us about usage condition (temperature, operation time etc.) prior to the intended use. If there is no consultation or inquiry before the intended use, our customer shall be solely responsible for the use.

■ Specifications of any and all SANYO Semiconductor Co.,Ltd. products described or contained herein stipulate the performance, characteristics, and functions of the described products in the independent state, and are not guarantees of the performance, characteristics, and functions of the described products as mounted in the customer's products or equipment. To verify symptoms and states that cannot be evaluated in an independent device, the customer should always evaluate and test devices mounted in the customer's products or equipment.

**SANYO Semiconductor Co., Ltd.**

<http://www.sanyosemi.com/en/network/>

# STK433-060N-E

## Specifications

**Absolute Maximum Ratings** at Ta = 25°C, Tc = 25°C unless otherwise specified

Parameter	Symbol	Conditions	Ratings	Unit
Maximum power supply voltage	V <sub>CC</sub> max (0)	Non- signal	±46	V
	V <sub>CC</sub> max (1)	Signal, R <sub>L</sub> ≥ 6Ω	±40	V
	V <sub>CC</sub> max (2)	Signal, R <sub>L</sub> ≥ 4Ω	±33	V
Minimum operation supply voltage	V <sub>CC</sub> min		±10	V
#13 Operating voltage *5	VST OFF max	#13 voltage	-0.3 to +5.5	V
Thermal resistance	θj-c	Per one power transistor	3.5	°C/W
Junction temperature	Tj max	Should satisfy Tj max and Tc max	150	°C
Operating substrate temperature	Tc max		125	°C
Storage temperature	Tstg		-30 to +125	°C
Allowable time for load short-circuit *4	ts	V <sub>CC</sub> = ±27V, R <sub>L</sub> = 6Ω, f = 50Hz P <sub>O</sub> = 35W, 1ch drive	0.3	s

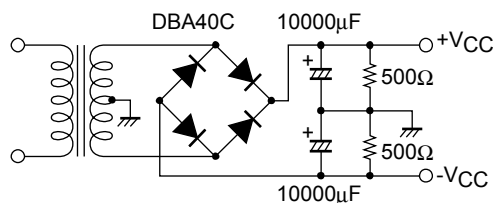
**Operating Characteristics** at Tc = 25°C, R<sub>L</sub> = 6Ω (Non-inductive Load), Rg = 600Ω, VG = 30dB

Parameter	Symbol	Conditions *2				Ratings			Unit
		V <sub>CC</sub> [V]	f [Hz]	P <sub>O</sub> [W]	THD [%]	min	typ	max	
Output power *1	P <sub>O</sub> 1	±27	20 to 20k		0.4	33	35		W
	P <sub>O</sub> 2	±27	1k		10		50		
	P <sub>O</sub> 3	±22	1k		1	R <sub>L</sub> =4Ω		35	
Total harmonic distortion *1	THD 1	±27	20 to 20k	5.0	VG=30dB			0.4	%
	THD 2	±27	1k					0.02	
Frequency characteristics *1	f <sub>L</sub> , f <sub>H</sub>	±27		1.0	+0 -3dB	20 to 50k			Hz
Input impedance	ri	±27	1k	1.0			55		kΩ
Output noise voltage *3	V <sub>NO</sub>	±33			Rg=2.2kΩ			1.0	mVrms
Quiescent current	I <sub>CCO</sub>	±33			No load	15	30	70	mA
Quiescent current at stand-by	I <sub>CST</sub>	±33			VST=0V			1.0	mA
Output neutral voltage	V <sub>N</sub>	±33				-70	0	+70	mV
#13 Stand-by ON threshold *5	VST ON	±27			Stand-by		0	0.6	V
#13 Stand-by OFF threshold *5	VST OFF	±27			Operation	2.5	3.0	5.5	V

### Note

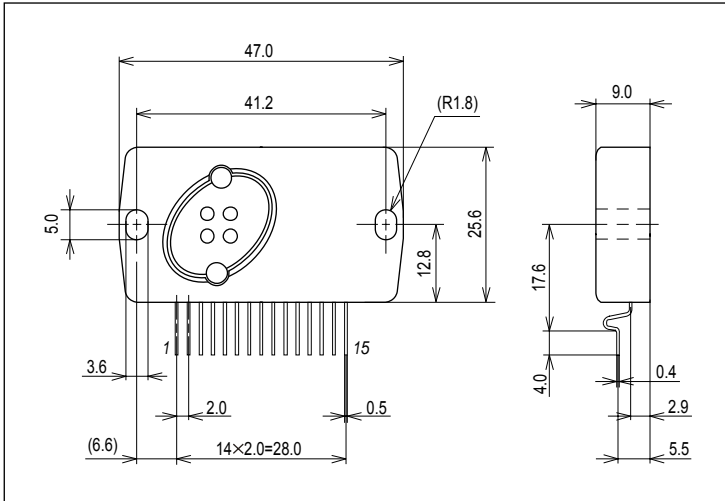
- \*1. 1channel operation.
- \*2. All tests are measured using a constant-voltage supply unless otherwise specified
- \*3. The output noise voltage is peak value of an average-reading meter with a rms value scale (VTVM).  
A regulated AC supply (50Hz) should be used to eliminate the effects of AC primary line flicker noise
- \*4. Allowable time for load short-circuit and output noise voltage are measured using the specified transformer power supply.
- \*5. The impression voltage of ' #13 (Stand-By) pin ' must not exceed the maximum rating.  
Power amplifier operate by impressing voltage +2.5 to +5.5V to ' #13 (Stand-By) pin '.
- \* Please connect - PreV<sub>CC</sub> pin ( #1 pin ) with the stable minimum voltage.  
and connect so that current does not flow in by reverse bias.
- \* In case of heat sink design, we request customer to design in the condition to have assumed market.
- \* The case of this Hybrid-IC is using thermosetting silicon adhesive (TSE322SX).
- \* Weight of HIC : (typ) 12.0g  
Outer carton dimensions (W×L×H) : 452mm×325mm×192mm

Specified transformer power supply  
(Equivalent to MG-200)



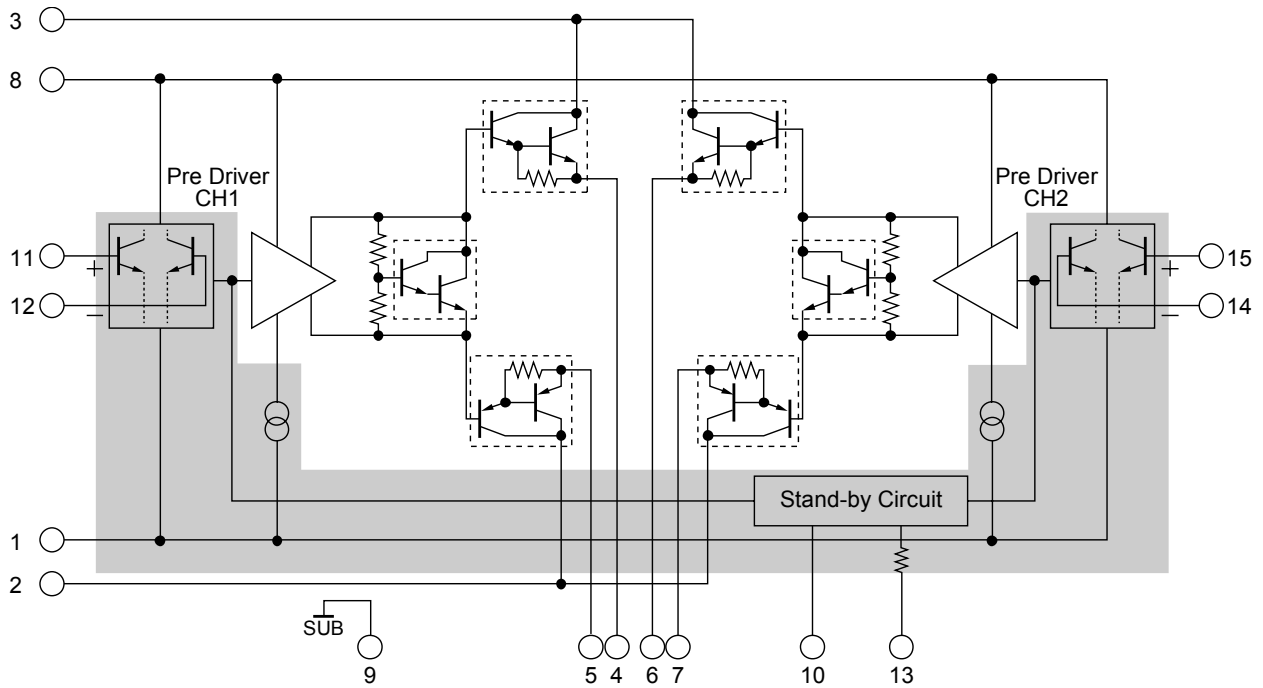
Package Dimensions

unit : mm (typ)



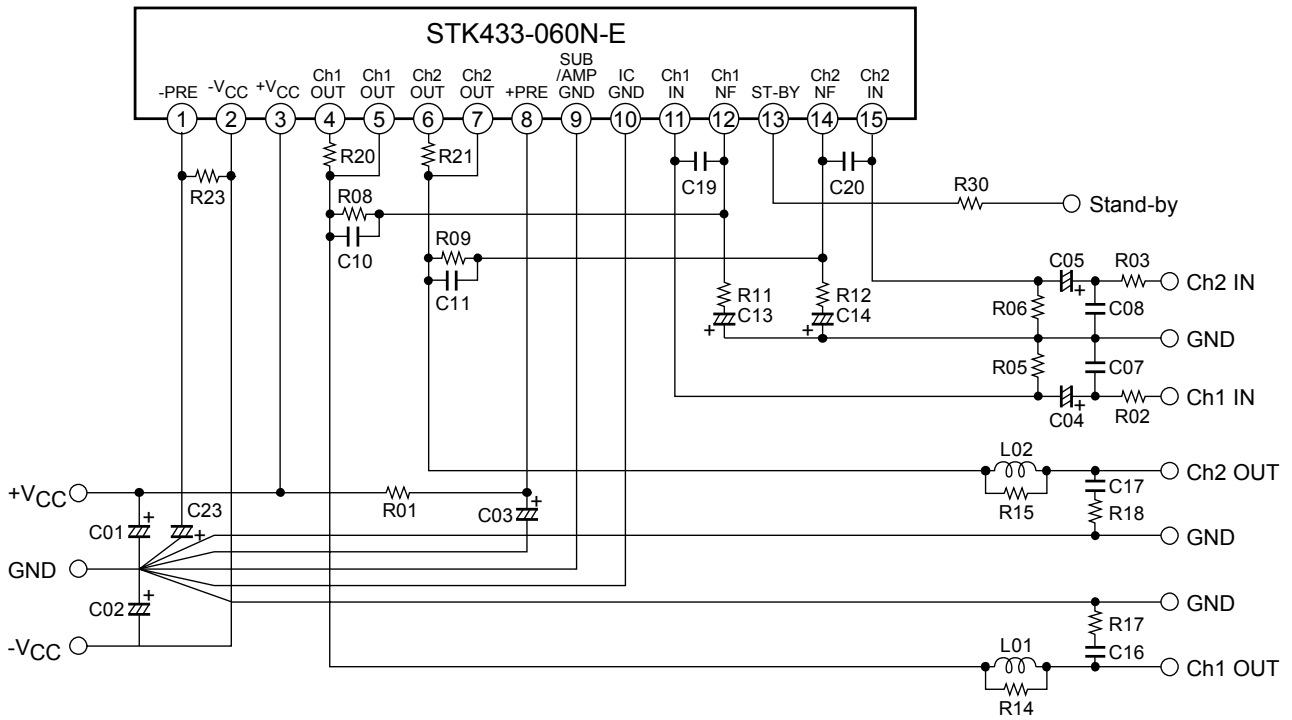
RoHS directive pass

Equivalent Circuit



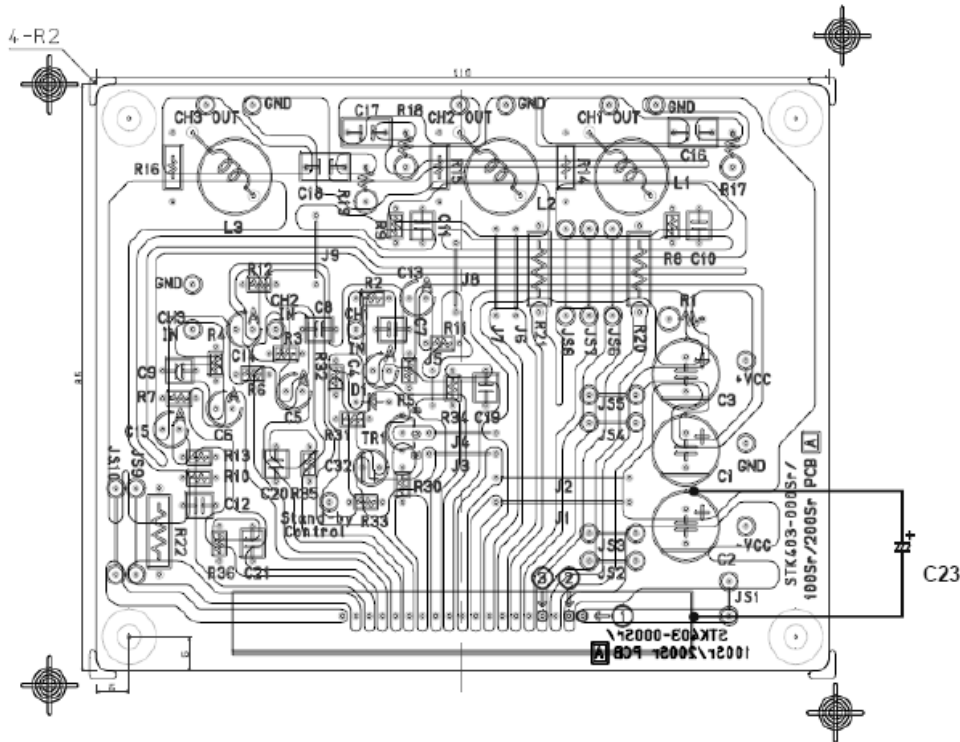
# STK433-060N-E

## Application Circuit



## PCB Layout Example

Top view



## STK433-060N-E

### STK433-040N-E/060N-E/130N-E/330N-E PCB PARTS LIST

PCB Name : STK403-000Sr/100Sr/200Sr PCB A

Location No.  (*2) 2ch Amp doesn't mount parts of ( ).	RATING	Component		
Hybrid IC#1 Pin Position	-	STK433-		
		040N-E	060N-E	130N-E/ 330N-E
R01	100Ω, 1W	○		
R02, R03, (R04)	1kΩ, 1/6W	○		
R05, R06, (R07), R08, R09, (R10)	56kΩ, 1/6W	○		
R11, R12, (R13)	1.8kΩ, 1/6W	○		
R14, R15, (R16)	4.7Ω, 1/4W	○		
R17, R18, (R19)	4.7Ω, 1W	○		
R20, R21, (R22)	0.22Ω, 5W	○		
C01, C02, C03, C23 (*3)	100μF, 100V	○		
C04, C05, (C06)	2.2μF, 50V	○ (*1)		
C07, C08, (C09)	470pF, 50V	○		
C10, C11, (C12)	3pF, 50V	○		
C13, C14, (C15)	10μF, 10V	○ (*1)		
C16, C17, (C18)	0.1μF, 50V	○		
C19, C20, (C21)	***pF, 50V	100pF	56pF	N.C.
R34, R35, (R36)	3kΩ, 1/6W	Short		
L01, L02, (L03)	3μH	○		
Stand-By Control Circuit	Tr1	VCE ≥ 75V, IC ≥ 1mA		
	D1	Di		
	R30 (*4)	***kΩ, 1/6W		
	R31	33kΩ, 1/6W		
	R32	1kΩ, 1/6W		
	R33	2kΩ, 1/6W		
	C32	33μF, 10V		
J1, J2, J3, J4, J5, J6, J8, J9	-	○		
J7, JS2, JS3, JS4, JS5, JS7 JS8, JS9	-	-		
JS6, JS10	-	○		
JS1 (R23)	100Ω, 1W	○		

(\*1) Capacitor mark "A" side is "-" (negative).

(\*2) STK433-040N-E/060N-E/130N-E (2ch Amp) doesn't mount parts of ( )

(\*3) Add parts C23 to the other side of PCB.

(\*4) Recommended standby circuit is used.

## STK433-060N-E

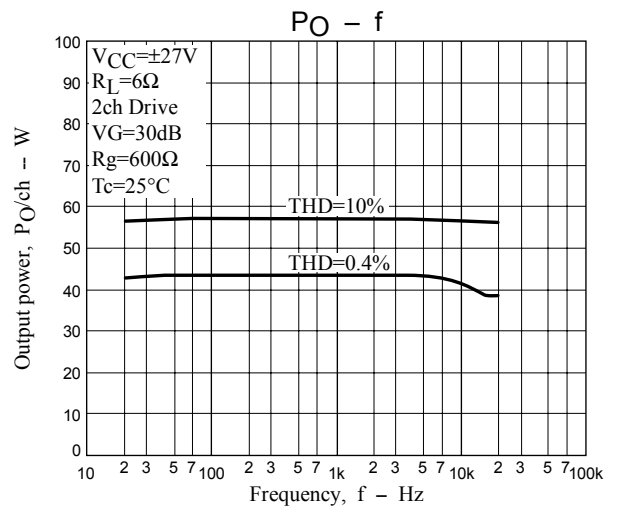
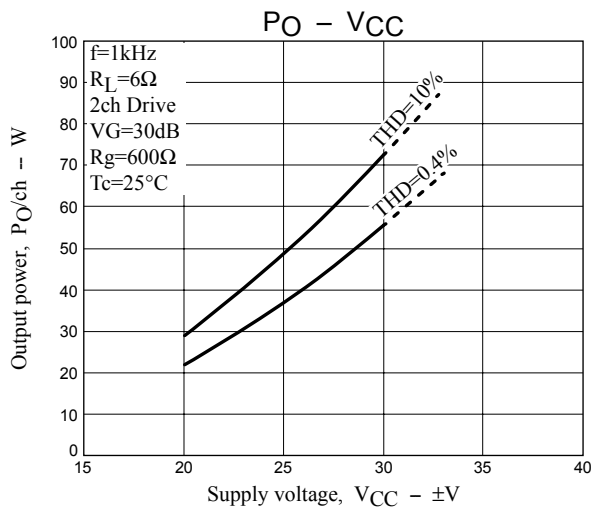
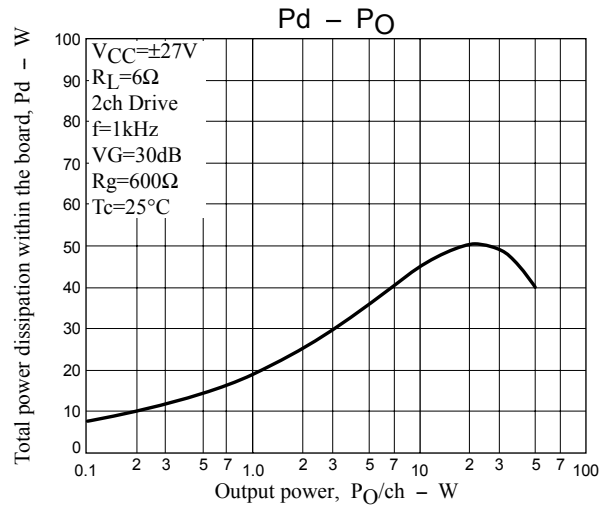
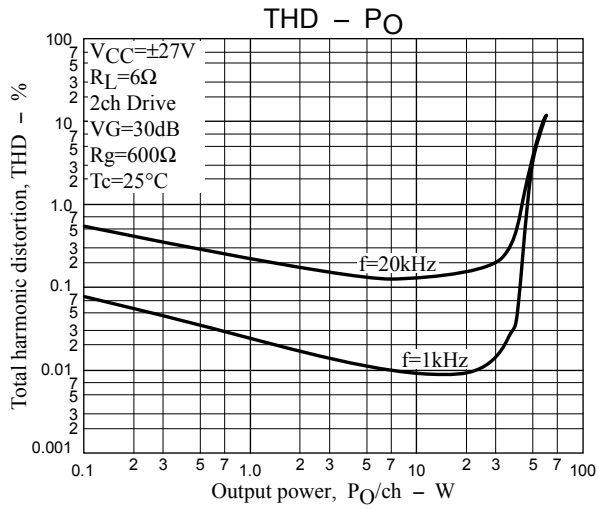
### Recommended external components

STK433-040N-E/060N-E/130N-E/330N-E

Parts Location	Recommended value	Circuit purpose	Above Recommended value	Below Recommended value
R01, R23	100Ω/1W	Resistance for Ripple filter. (Fuse resistance is recommended. Ripple filter is constituted with C03, C23.)	Short-through current may decrease at high frequency.	Short-through current may increase at high frequency.
R02, R03, R04	1kΩ	Resistance for input filters.	-	-
R05, R06, R07	56kΩ	Input impedance is determined.	Output neutral voltage(VN) shift. (It is referred that R05=R08, R06=R09)	
R08, R09, R10	56kΩ	Voltage Gain (VG) is determined with R11, R12, R13	-	-
R11, R12, R13	1.8kΩ	Voltage Gain (VG) is determined with R8, R9, R10 (As for VG, it is desirable to set up by R11, R12, R13)	It may oscillate. (Vg < 30dB)	With especially no problem
R14, R15, R16	4.7Ω	Resistance for oscillation prevention.	-	-
R17, R18, R19	4.7Ω/1W	Resistance for oscillation prevention.	-	-
R20, R21, R22	0.22Ω/2W	This resistance is used as detection resistance of the protection circuit application.	Decrease of Maximum output Power	It may cause thermal runaway
R30	Note *5	Select Restriction resistance, for the impression voltage of '#17 (Stand-By) pin' must not exceed the maximum rating.		
C01, C02	100μF/50V	Capacitor for oscillation prevention. • Locate near the HIC as much as possible. • Power supply impedance is lowered and stable operation of the IC is carried out. (Electrolytic capacitor is recommended.)	-	-
C03, C23	100μF/50V	Decoupling capacitor • The Ripple ingredient mixed in an input side is removed from a power supply line. (Ripple filter is constituted with R01, R23.)	The change in the Ripple ingredient mixed in an input side from a power supply line	
C04, C05, C06	2.2μF/50V	Input coupling capacitor.(for DC current prevention.)	-	
C07, C08, C09	470pF	Input filter capacitor • A high frequency noise is reduced with the filter constituted by R02, R03, R04	-	
C10, C11, C12	3pF	Capacitor for oscillation prevention.	It may oscillate.	
C13, C14, C15	10μF/10V	Negative feedback capacitor. The cutoff frequency of a low cycle changes. ( $f_L = 1/(2\pi \cdot C13 \cdot R11)$ )	The voltage gain (VG) of low frequency is extended. However, the pop noise at the time of a power supply injection also becomes large.	The voltage gain (VG) of low frequency decreases.
C16, C17, C18	0.1μF	Capacitor for oscillation prevention.	It may oscillate.	
C19, C20, C21	100pF (040N-E) 56pF (060N-E) N.C. (130N-E, 330N-E)	Capacitor for oscillation prevention.	It may oscillate.	
L01, L02, L03	3μH	Coil for oscillation prevention.	With especially no problem	It may oscillate.



Characteristic of Evaluation Board





A Thermal Design Tip For STK433-060N-E Amplifier

[Thermal Design Conditions]

The thermal resistance (θc-a) of the heat-sink which manages the heat dissipation inside the Hybrid IC will be determined as follow:

(Condition 1) The case temperature (Tc) of the Hybrid IC should not exceed 125°C

Pd × θc-a + Ta < 125°C .....(1)

Where Ta : the ambient temperature for the system

(Condition 2) The junction temperature of each power transistor should not exceed 150°C

Pd × θc-a + Pd/N × θj-c + Ta < 150°C .....(2)

Where N : the number of transistors (two for 1 channel , ten for channel)

θj-c : the thermal resistance of each transistor (see specification)

Note that the power consumption of each power transistor is assumed to be equal to the total power dissipation (Pd) divided by the number of transistors (N).

From the formula (1) and (2), we will obtain:

θc-a < (125 - Ta)/Pd .....(1)'

θc-a < (150 - Ta)/Pd - θj-c/N .....(2)'

The value which satisfies above formula (1)' and (2)' will be the thermal resistance for a desired heat-sink.

Note that all of the component except power transistors employed in the Hybrid IC comply with above conditions.

[Example of Thermal Design]

Generally, the power consumption of actual music signals are being estimated by the continuous signal of 1/8 P<sub>O</sub> max. (Note that the value of 1/8 P<sub>O</sub> max may be varied from the country to country.)

(Sample of STK433-060N-E ; 35W×2ch)

If V<sub>CC</sub> is ±27V, and R<sub>L</sub> is 6Ω, then the total power dissipation (Pd) of inside Hybrid IC is as follow;

Pd = 33W (at 4.375W output power, 1/8 of P<sub>O</sub> max)

There are four (4) transistors in Audio Section of this Hybrid IC, and thermal resistance (θj-c) of each transistor is 3.5°C/W. If the ambient temperature (Ta) is guaranteed for 50°C, then the thermal resistance (θc-a) of a desired heat-sink should be;

From (1)' θc-a < (125 - 50)/33 < 2.27

From (2)' θc-a < (150 - 50)/33 - 3.5/4 < 2.16

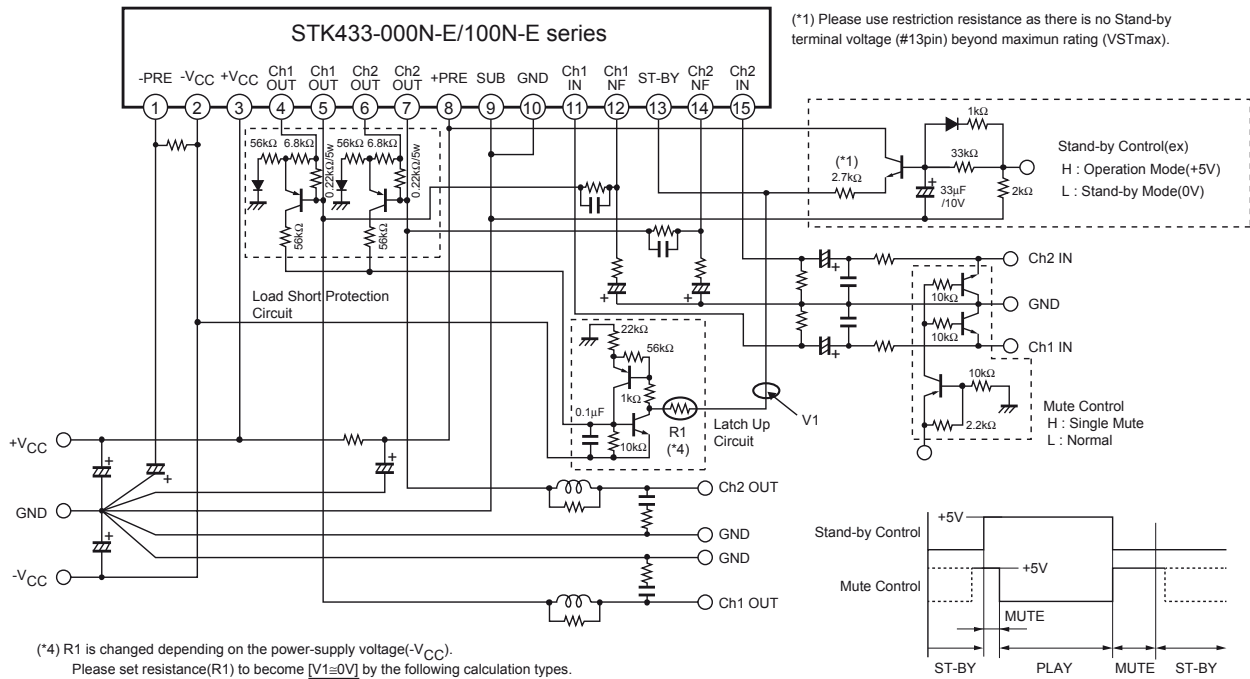
Therefore, in order to satisfy both (1)' and (2)', the thermal resistance of a desired Heat-sink will be 2.16°C/W.

[Note]

Above are reference only. The samples are operated with a constant power supply. Please verify the conditions when your system is actually implemented.

# STK433-060N-E

## STK433-000N-E/100N-E series Stand-by Control & Mute Control & Load-Short Protection Application

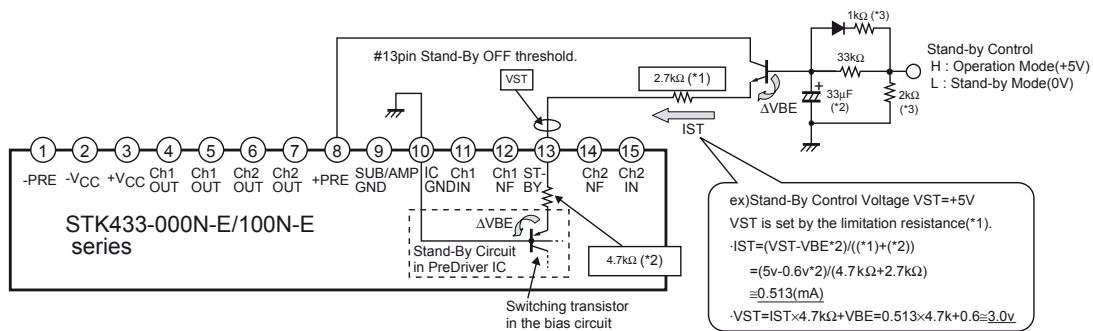


### [STK433-000N-E/100N-E series Stand-By Control Example]

#### [Feature]

- The pop noise which occurs to the time of power supply on/off can be improved substantially by recommendation Stand-By Control Application.
- Stand-By Control can be done by additionally adjusting the limitation resistance to the voltage such as miccom, the set design is easy.

(Reference circuit) STK433-000N-E/100N-E series test circuit To Stand-By Control added +5V.



#### [Operation explanation] #13pin Stand-By Control Voltage VST

##### (1) Operation Mode

The switching transistor in the bias circuit turns on and places the amplifier into the operating mode, when 13pin (VST) voltage added above 2.5V (typ 3.0V).

##### (2) Stand-By Mode

When 13pin (VST) voltage is stopped (= 0V), the switching transistor in the bias circuit turn off. placing the amplifier into the standby mode.

(\*1) The current limiting resistor must be used to ensure that stand-by pin (13pin) voltage does not exceed its maximum rated value VST max.

(\*2) The pop noise level when the power is turned on can be reduced by setting the time constant with a capacitor in operating mode.

(\*3) Determines the time constant at which the capacitor (\*2) is discharged in stand-by mode.

- SANYO Semiconductor Co.,Ltd. assumes no responsibility for equipment failures that result from using products at values that exceed, even momentarily, rated values (such as maximum ratings, operating condition ranges, or other parameters) listed in products specifications of any and all SANYO Semiconductor Co.,Ltd. products described or contained herein.
- Regarding monolithic semiconductors, if you should intend to use this IC continuously under high temperature, high current, high voltage, or drastic temperature change, even if it is used within the range of absolute maximum ratings or operating conditions, there is a possibility of decrease reliability. Please contact us for a confirmation.
- SANYO Semiconductor Co.,Ltd. strives to supply high-quality high-reliability products, however, any and all semiconductor products fail or malfunction with some probability. It is possible that these probabilistic failures or malfunction could give rise to accidents or events that could endanger human lives, trouble that could give rise to smoke or fire, or accidents that could cause damage to other property. When designing equipment, adopt safety measures so that these kinds of accidents or events cannot occur. Such measures include but are not limited to protective circuits and error prevention circuits for safe design, redundant design, and structural design.
- In the event that any or all SANYO Semiconductor Co.,Ltd. products described or contained herein are controlled under any of applicable local export control laws and regulations, such products may require the export license from the authorities concerned in accordance with the above law.
- No part of this publication may be reproduced or transmitted in any form or by any means, electronic or mechanical, including photocopying and recording, or any information storage or retrieval system, or otherwise, without the prior written consent of SANYO Semiconductor Co.,Ltd.
- Any and all information described or contained herein are subject to change without notice due to product/technology improvement, etc. When designing equipment, refer to the "Delivery Specification" for the SANYO Semiconductor Co.,Ltd. product that you intend to use.
- Upon using the technical information or products described herein, neither warranty nor license shall be granted with regard to intellectual property rights or any other rights of SANYO Semiconductor Co.,Ltd. or any third party. SANYO Semiconductor Co.,Ltd. shall not be liable for any claim or suits with regard to a third party's intellectual property rights which has resulted from the use of the technical information and products mentioned above.

This catalog provides information as of August, 2012. Specifications and information herein are subject to change without notice.