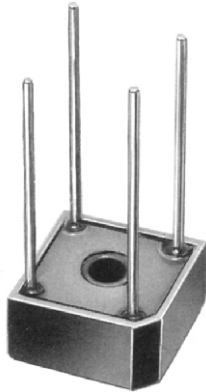


# MP10M SERIES

## 10 AMPS EPOXY BRIDGE RECTIFIER



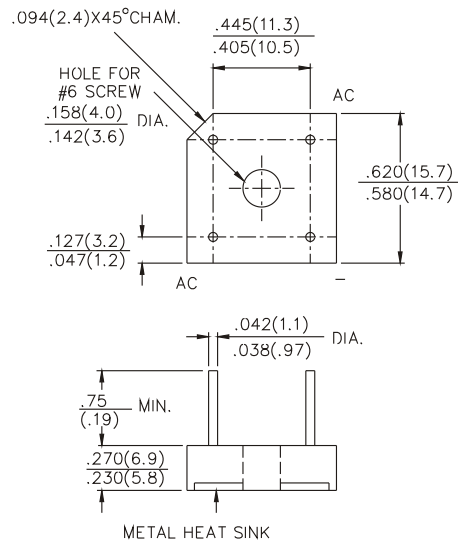
**CHENG-YI  
ELECTRONIC**



### FEATURES

- 10 Amps forward current at  $T_c + 80^\circ\text{C}$
- 100 Amps peak one half cycle surge current
- 2000 Volts Minimum circuit-to-case insulation
- Case: Molded plastic with heatsink internally
- Mounted in the Bridge Encapsulation
- Electrically isolated metal case for maximum heat dissipation
- Mounting: thru hole for #6 screw
- UL Recognized file # E149311

VOLTAGE RANGE  
50 TO 1000 VOLTS PRV  
CURRENT  
10 Amperes



Dimensions in inches and (millimeters)

### MAXIMUM RATINGS AND ELECTRICAL CHARACTERISTICS

Ratings at  $25^\circ\text{C}$  ambient temperature unless otherwise specified.  
Single phase, half wave, 60Hz, resistive or inductive load.  
For capacitive load, derate current by 20%.

		MP1005 M	MP101 M	MP102 M	MP104 M	MP106M	MP108M	MP1010M	UNITS
Maximum Recurrent Peak Reverse Voltage	$V_{RRM}$	50	100	200	400	600	800	1000	V
Maximum RMS Bridge Input Voltage	$V_{RMS}$	35	70	140	280	420	560	700	V
Maximum Average Forward Output Current @ $T_A = 25^\circ\text{C}$	$I_{(AV)}$	10							A
Peak Forward Surge Current 8.3 ms single half sine-wave superimposed on rated load	$I_{FSM}$	200							A
Maximum DC Forward Voltage drop per element at 5.0A DC	$V_F$	1.1							V
Maximum DC Reverse Current at rated DC Blocking Voltage Per Element @ $T_A = 25^\circ\text{C}$	$I_R$	10							$\mu\text{A}$
Operating Temperature Range	$T_J$	-55 to +125							$^\circ\text{C}$
Storage Temperature Range	$T_{STG}$	-55 to +150							$^\circ\text{C}$

\*(Plastic case & Metal base)

# MP10M SERIES

## 10 AMPS EPOXY BRIDGE RECTIFIER



**CHENG-YI  
ELECTRONIC**

### RATING AND CHARACTERISTICS CURVES MP10M SERIES

Fig.1 - MAXIMUM NON-REPETITIVE  
FORWARD SURGE CURRENT

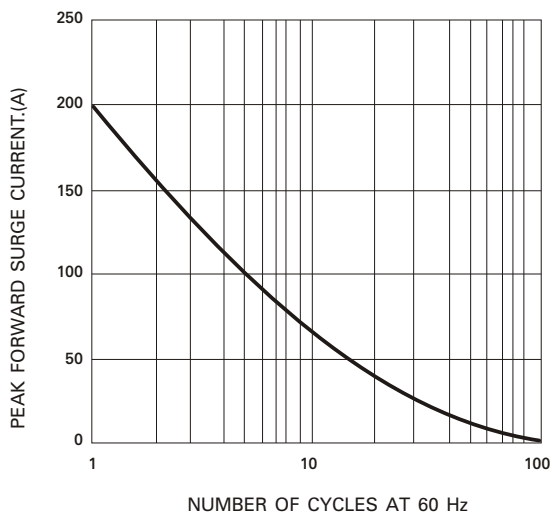


Fig.2 - TYPICAL FORWARD CURRENT  
DERATING CURVE

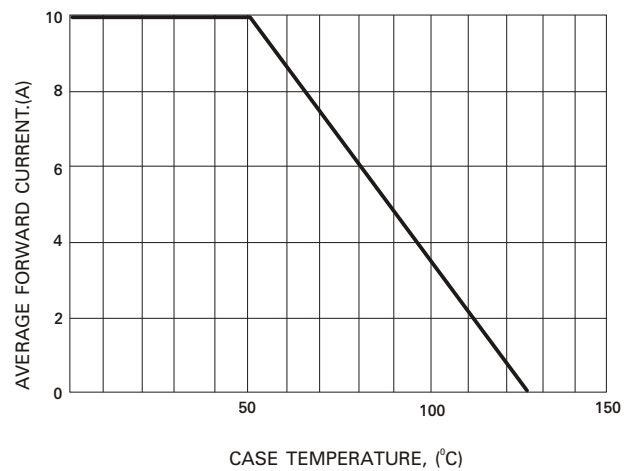


Fig.3 - TYPICAL INSTANTANEOUS FORWARD  
CHARACTERISTICS

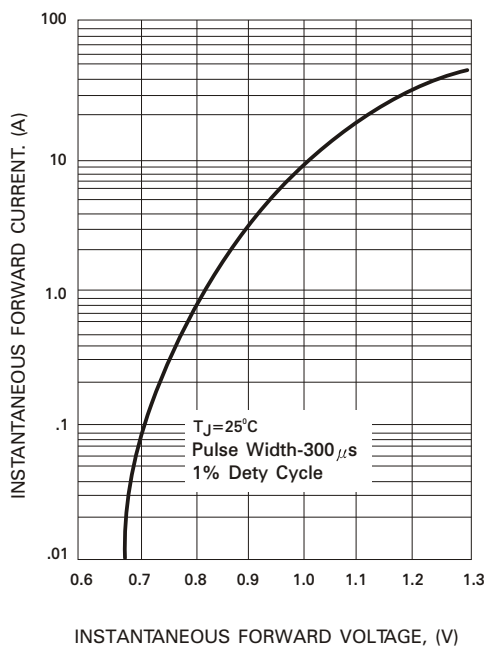


Fig.4 - TYPICAL REVERSE CHARACTERISTICS

