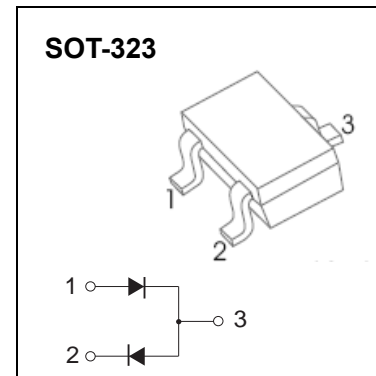




SWITCHING DIODE

FEATURES

- For high-speed switching applications
- Connected in series
- **Pb-Free package is available**
RoHS product for packing code suffix "G"
Halogen free product for packing code suffix "H"
- **Moisture Sensitivity Level 1**



MARKING: KJG or A7

Maximum Ratings @Ta=25°C

Parameter	Symbol	Limit	Unit
Reverse voltage	V_R	75	V
Forward current	I_o	150	mA
Forward power dissipation	P_D	200	mW
Junction temperature	T_j	150	°C
Storage temperature	T_{stg}	-55~+150	°C

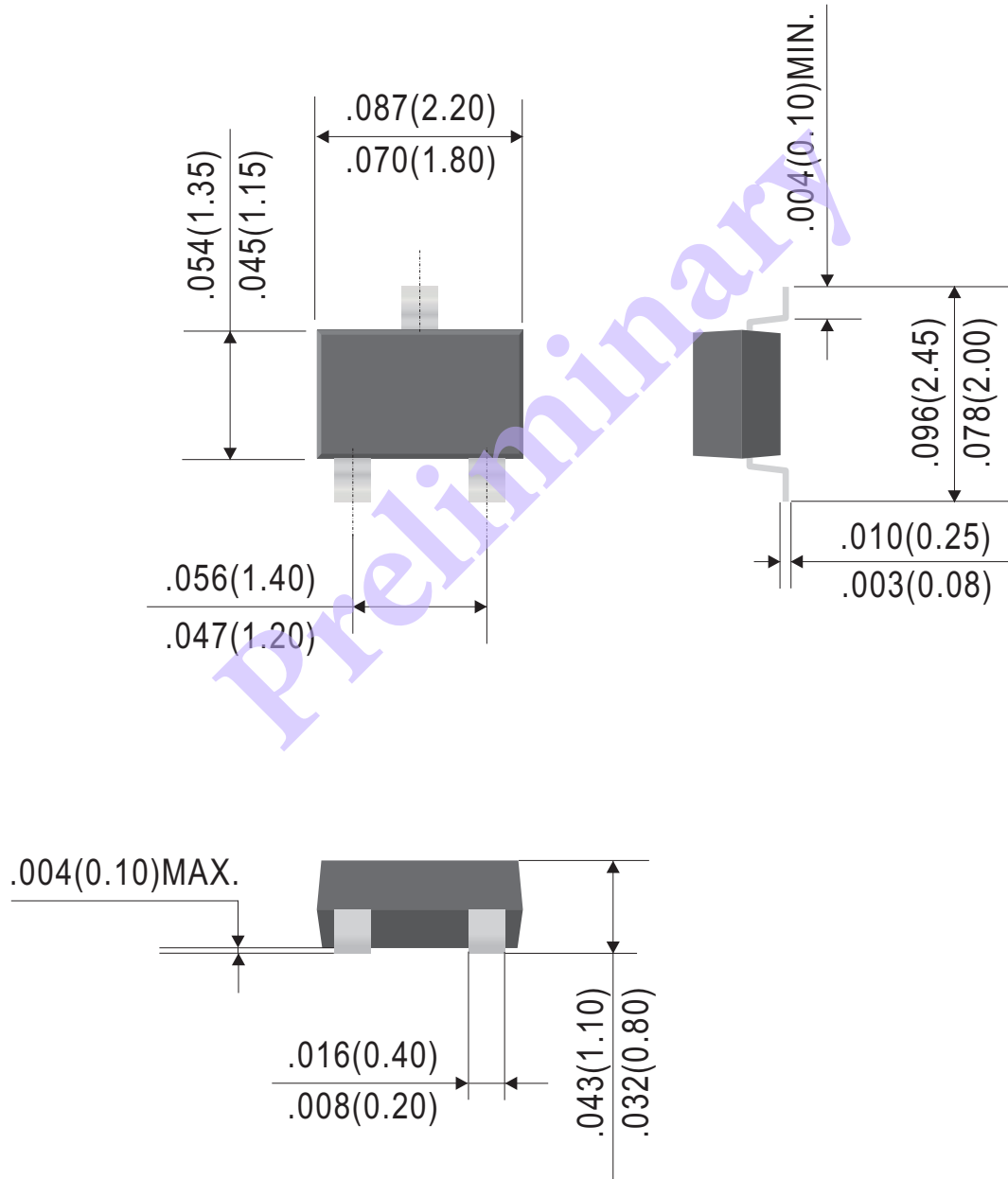
ELECTRICAL CHARACTERISTICS (Ta=25°C unless otherwise specified)

Parameter	Symbol	Test conditions	Min	Max	Unit
Reverse breakdown voltage	$V_{(BR)}$	$I_R=100\mu A$	75		V
Reverse voltage leakage current	I_R	$V_R=75V$ $V_R=20V$		2.5 25	μA nA
Forward voltage	V_F	$I_F=1mA$ $I_F=10mA$ $I_F=50mA$ $I_F=150mA$		715 855 1000 1250	mV
Diode capacitance	C_D	$V_R=0V$ $f=1MHz$		2	pF
Reveres recovery time	t_{rr}	$I_F=I_R=10mA$ $I_{rr}=0.1 \times I_R$ $R_L=100\Omega$		4	ns



Outline Drawing

SOT-323



Dimensions in inches and (millimeters)