

Silicon NPN Power Transistors

2SD2488

DESCRIPTION

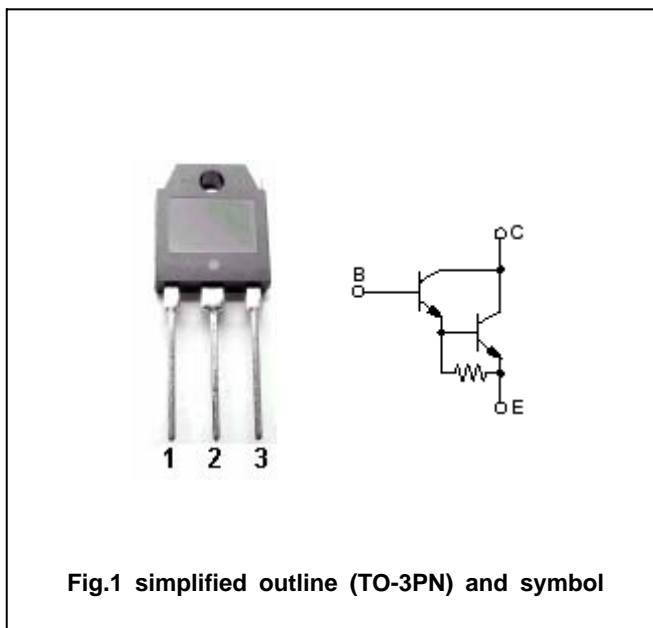
- With TO-3PN package
- DARLINGTON
- High DC current gain

APPLICATIONS

- Audio ,regulator and general purpose

PINNING

PIN	DESCRIPTION
1	Base
2	Collector;connected to mounting base
3	Emitter



Absolute maximum ratings(Ta=)

SYMBOL	PARAMETER	CONDITIONS	VALUE	UNIT
V _{CBO}	Collector-base voltage	Open emitter	200	V
V _{CEO}	Collector-emitter voltage	Open base	200	V
V _{EBO}	Emitter-base voltage	Open collector	5	V
I _C	Collector current		15	A
I _B	Base current		1	A
P _C	Collector power dissipation	T _C =25	130	W
T _j	Junction temperature		150	
T _{stg}	Storage temperature		-55~150	

Silicon NPN Power Transistors

2SD2488

CHARACTERISTICS

T_j=25 unless otherwise specified

SYMBOL	PARAMETER	CONDITIONS	MIN	TYP.	MAX	UNIT
V _{(BR)CEO}	Collector-emitter breakdown voltage	I _C =30mA ; I _B =0	200			V
V _{CEsat}	Collector-emitter saturation voltage	I _C =10A ; I _B =10mA			2.5	V
V _{BEsat}	Base-emitter saturation voltage	I _C =10A ; I _B =10mA			3.0	V
I _{CBO}	Collector cut-off current	V _{CB} =200V I _E =0			100	μ A
I _{EBO}	Emitter cut-off current	V _{EB} =5V ; I _C =0			100	μ A
h _{FE}	DC current gain	I _C =10A ; V _{CE} =4V	5000		30000	
C _{ob}	Output capacitance	I _E =0 ; V _{CB} =10V ; f=1MHz		120		pF
f _T	Transition frequency	I _E =-2A ; V _{CE} =12V		70		MHz

◆ h_{FE} Classifications

O	P	Y
5000-12000	6500-20000	15000-30000

Silicon NPN Power Transistors

2SD2488

PACKAGE OUTLINE

