



P/N: TS6121AX DATA SHEET

Feature



- Designed to meet IEEE 802.3u requirement, including 350uH OCL with 8mA bias.
- Operating temperature range: 0°C to +70°C.
- Storage temperature range: -25°C to +125°C.

Electrical Specifications @ 25°C

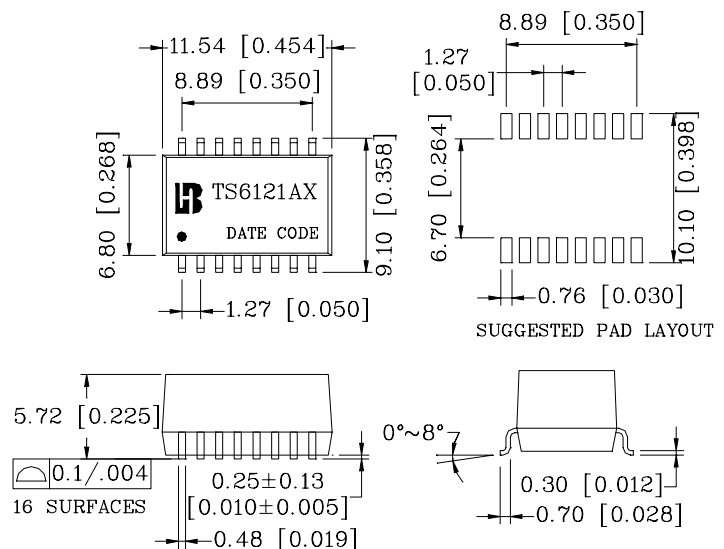
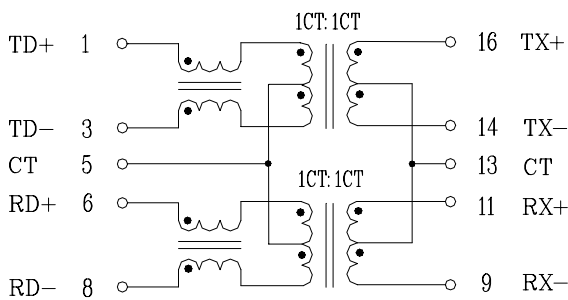
Part Number	Turns Ratio (±5%)		OCL (uH Min) @100KHz/0.1V with 8mA Bias	L.L (uH Max)	C _{w/w} (pF Max)	Rise Time 10-90% (nS Typ)	HI-POT (Vrms)
	1-3:16-14	6-8:11-9					
TS6121AX	1CT:1CT	1CT:1CT	350	0.5	50	2.5	1500

Continue

Part Number	Insertion Loss (dB Max)	Return Loss (dB Min)			Cross talk (dB Min)		DCMR (dB Min)		
		0.3-100MHz	30MHz	60MHz	80MHz	0.3-60MHz	60-100MHz	30MHz	60MHz
TS6121AX	-1.15	-18	-14	-12	-45	-35	-40	-35	-30

Schematic

Mechanical



Units: mm[Inches] Tolerance: xx.x0±0.25[0.010]
0.xx±0.05[0.002]