

“LAN-MATE” SERIES

SINGLE RJ45 CONNECTOR MODULE WITH INTEGRATED 10/100 BASE-TX MAGNETICS

P/N: LU1S041E

Page : 1/2

A. General Specifications:

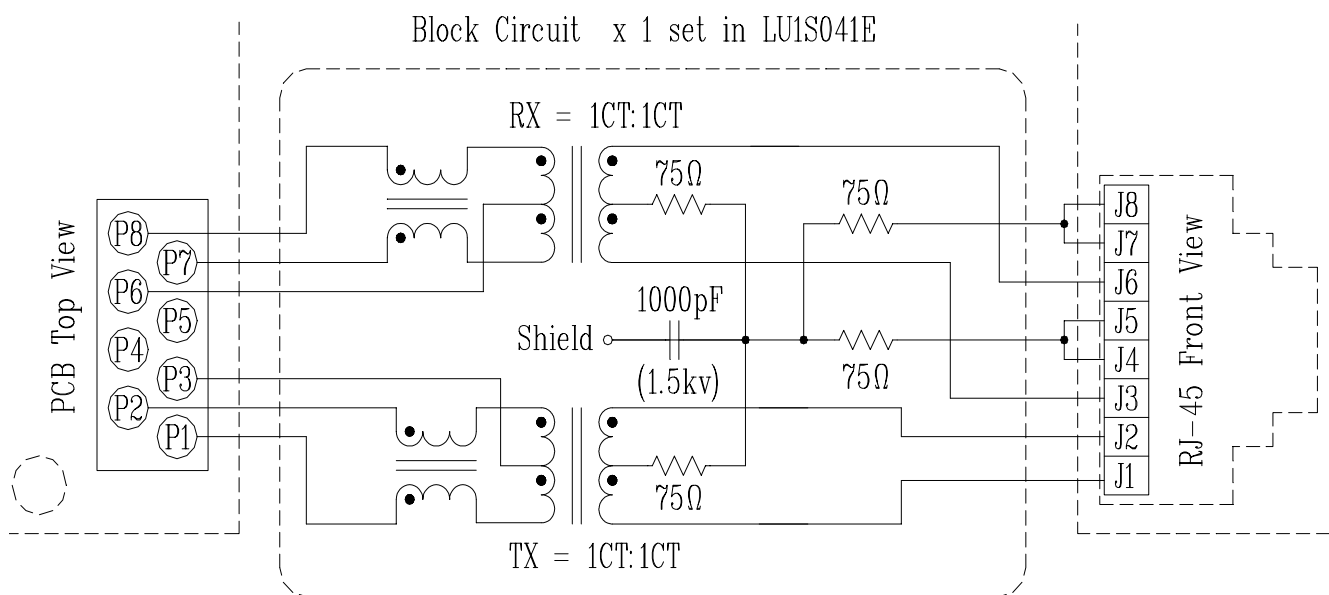
1. RJ-45 connector integrated with X'FMER / Impedance Resistor/High Voltage Capacitor
2. Size same as RJ-45 connector to save PCB board space.
3. Reduce EMI radiation, improve EMI performance.
4. Design for 100 base transmission over UTP-5 CABLE.
5. Operating temp range:0 °C to +70 °C.

B. Electrical Specifications 25°C :

1. Turn Ratios: RX =1CT:1CT(±5%) & TX=1CT:1CT
2. Primary OCL Inductance :350 H Min at 100 KHz /0.1Vrms with 8mA Bias
3. Cw/w : 28 pF Max
4. Leakage Inductance(TX&RX): 0.5 H Max
5. Insertion Loss (0.3 to 100 MHz): -1.15 dB Max
6. Return Loss (dB MIN):

30MHz	40MHz	50MHz	60MHz	80MHz
-16	-14	-13.5	-13	-10
7. Cross talk (dB MIN): -35 @0.3-80 MHz
8. Differential to Common Mode Rejection (dB MIN): -30 @0.3-100MHz
9. Rise Time: (ns Typ.) (10-90%): 2.5ns
10. HI-POT Isolation: 1500Vrms

C. Schematic :

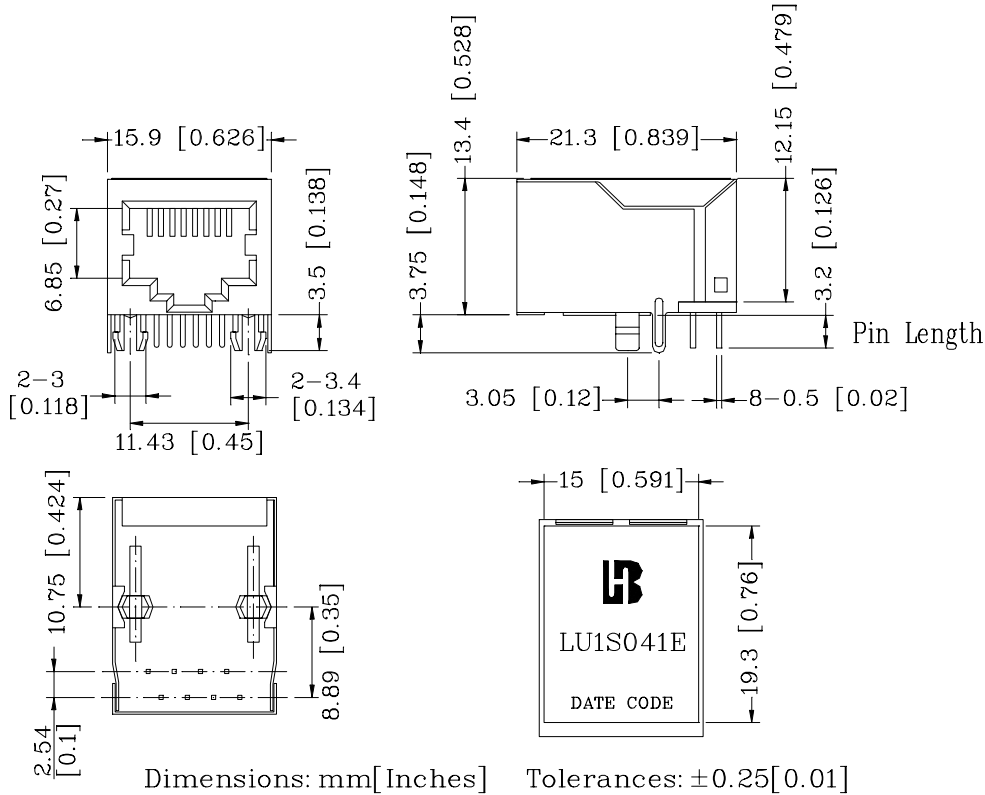


“LAN-MATE” SERIES

SINGLE RJ45 CONNECTOR MODULE WITH INTEGRATED 10/100 BASE-TX MAGNETICS

P/N: LU1S041E

D. Mechanical:



1. Plastic Material : PBT 15% Glass Filled (UL 94V-0) , Black Housing
2. Metal Shield : Brass C2680-H, 20u Nickle Plated, t=0.25mm
3. Spring Wire : 0.45mm Dia. Phosphor bronze with 6u gold plated .
4. Solder Pin : 0.4x0.4mm ,Phosphor bronze with Solder plated
5. Durability : 300 Mating cycles Min .

E. PCB Layout Mounting Hole (Top View)

