



## Micropower Low Profile Surface Mount Inductors

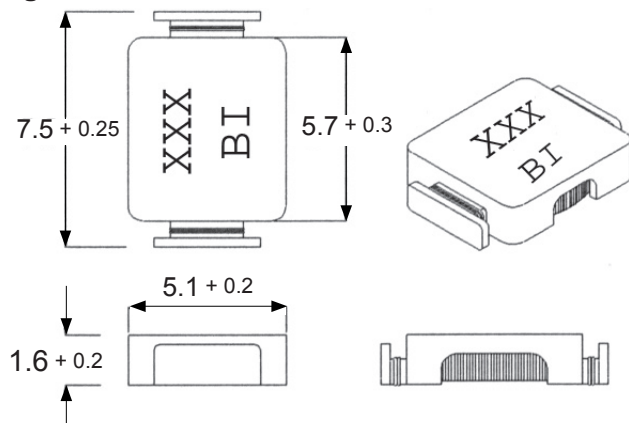
- Operating Temperature Range: -40°C to +125°C

### Specifications @ 25 °C

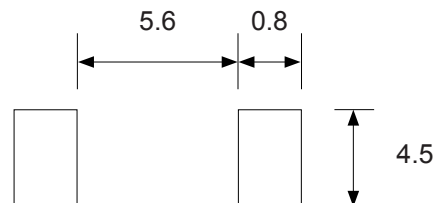
Part Number	Inductance		Rated <sup>(1)</sup> DC Current Amps	I <sub>sat</sub> <sup>(2)</sup> Amps	DC Resistance Ω Max.
	Zero DC (μH ±20%)	@ 100kHz, 0.1 V RMS with DC (μH Min.)			
HM64-101R0LF	1.0	0.80	1.67	2.1	0.103
HM64-102R2LF	2.2	1.60	1.40	1.4	0.130
HM64-104R7LF	4.7	3.22	0.98	1.0	0.180
HM64-10100LF	10.0	6.96	0.67	0.68	0.240
HM64-10150LF	15.0	10.71	0.54	0.54	0.330
HM64-10220LF	22.0	15.26	0.45	0.45	0.360
HM64-10330LF	33.0	23.59	0.37	0.37	0.550
HM64-10470LF	47.0	32.48	0.31	0.31	0.850

- Notes:
- (1) Rated DC current is the approximate current at which inductance will be decreased by 30% from its initial (zero DC) value or the DC current at which ΔT = 40°C, whichever is lower.
  - (2) Peak Current (I<sub>sat</sub>) for approximately 30% inductance roll-off.

### Outline Dimensions (mm)

**Figure 1**


### Recommended Solder Pad Layout

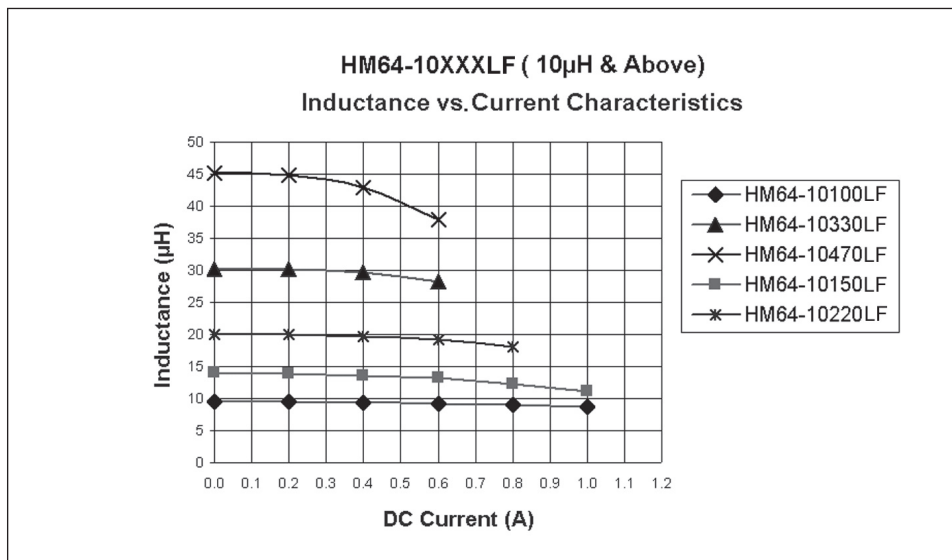
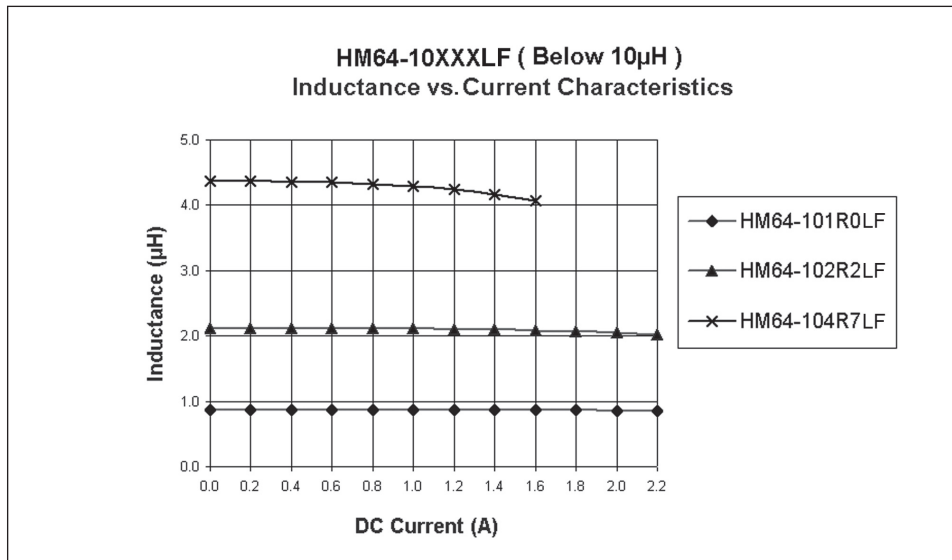


### Packaging

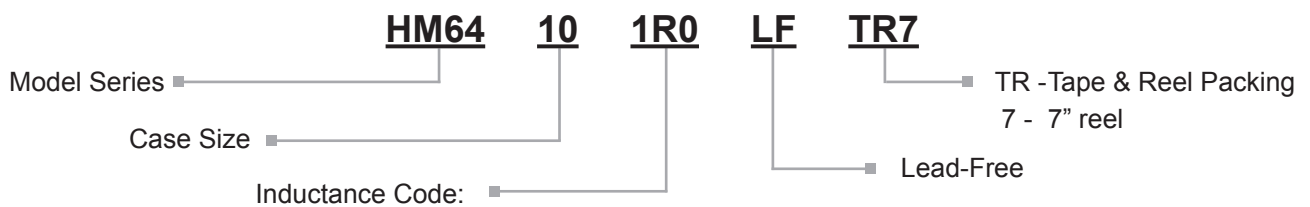
Standard: Embossed Tape & Reel

Reel:	Diameter:	=	7" (177.8mm)
	Capacity:	=	500 Units

## Electrical Characteristics @ 25 °C



## Ordering Information



First 2 digits are significant. Last digit denotes the number of trailing zeros. For values below 10 $\mu$ H, "R" denotes the decimal point.