



Rail-to-Rail I/O, High-Slew-Rate OP Amp

Features

- +2.2V to +7V Single-Supply Operation
- Input / Output Rail-to-Rail
- Low Input Current
- High Output Driving Capacity
- Low Quiescent Current: 500µA @ 5V
- High Slew Rate 6.5V/µs
- High Gain-Bandwidth Product 6.5MHz
- High Open Loop Gain 95dB
- High PSRR 70dB

Applications

- Headphone Driver
- Portable Equipment
- Battery-Powered Equipment
- Multimedia Audio
- ASIC Input or Output Amplifier
- Sensor Amplifier
- Low Power/Low Voltage Applications
- Set-up Box Audio HP or Pre-driver Applications

General Description

G1214A is a input/output rail-to-rail Operational Amplifier. It can be operated from +2.2V to +7V single supply or from ±1.1V to ±3.5 dual supply. G1214A can drive 66mA into resistor loads to within 10% power rail. AC performance is very excellent with 6.5MHz bandwidth, 6.5V/µs Slew Rate, 95dB open loop gain, 60 degree phase margin and low distortion.

Supply current of G1214A is only 500µA per Amplifier. It is very suitable for low current consumption applications to control high current loads. Applications include audio amplification for computers, sound ports, sound cards and set-top boxes.

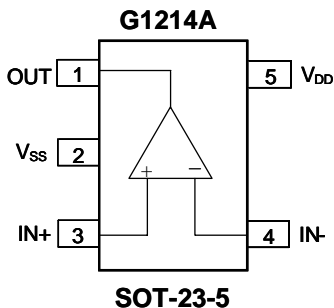
G1214A is housed in a small SOT-23-5 package.

Ordering Information

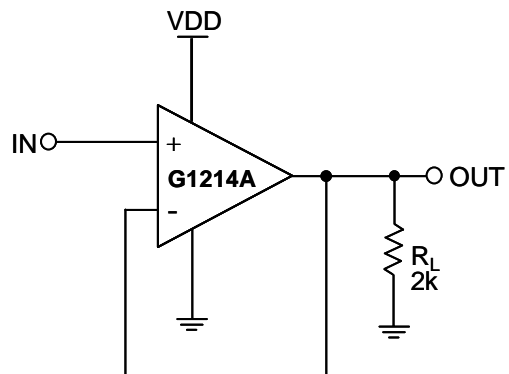
ORDER NUMBER	MARKING	TEMP. RANGE	PACKAGE (Green)
G1214AT11U	124Ax	-40°C to 85°C	SOT-23-5

Note:T1: SOT-23-5
 1: Bonding Code
 U: Tape & Reel

Pin Configuration



Typical Application Circuit



Rail-to-Rail is a registered trademark of Nippon Motorola, Ltd.