



**SANYO Semiconductors**

# DATA SHEET

An ON Semiconductor Company



**LC75836W**

CMOS IC

## 1/4-Duty General-Purpose LCD Display Driver

### Overview

The LC75836W is 1/4-duty general-purpose microprocessor-controlled LCD driver that can be used in applications such as frequency display in products with electronic tuning. In addition to being able to drive up to 140 segments directly, the LC75836W can also control up to 4 general-purpose output ports.

### Features

- 1/4 duty, 1/3 bias drive (Up to 140 segment can be displayed.)
- Serial data input supports CCB\* format communication with the system controller (support 3V operation).
- Serial data control of the power-saving mode based backup function and the all segments forced off function.
- Serial data control of switching between the segment output port and general-purpose output port functions.
- Serial data control of the frame frequency of the common and segment output waveforms.
- Either RC oscillator operating or external clock operating mode can be selected with the serial control data.
- High generality, since display data is displayed directly without the intervention of a decoder circuit.
- The  $\overline{\text{INH}}$  pin allows the display to be forced to the off state.
- RC oscillation circuit (with external resistor and capacitor)

- CCB is a registered trademark of SANYO Electric Co., Ltd.
- CCB is SANYO Semiconductor's original bus format. All bus addresses are managed by SANYO Semiconductor for this format.

■ Any and all SANYO Semiconductor Co.,Ltd. products described or contained herein are, with regard to "standard application", intended for the use as general electronics equipment (home appliances, AV equipment, communication device, office equipment, industrial equipment etc.). The products mentioned herein shall not be intended for use for any "special application" (medical equipment whose purpose is to sustain life, aerospace instrument, nuclear control device, burning appliances, transportation machine, traffic signal system, safety equipment etc.) that shall require extremely high level of reliability and can directly threaten human lives in case of failure or malfunction of the product or may cause harm to human bodies, nor shall they grant any guarantee thereof. If you should intend to use our products for applications outside the standard applications of our customer who is considering such use and/or outside the scope of our intended standard applications, please consult with us prior to the intended use. If there is no consultation or inquiry before the intended use, our customer shall be solely responsible for the use.

■ Specifications of any and all SANYO Semiconductor Co.,Ltd. products described or contained herein stipulate the performance, characteristics, and functions of the described products in the independent state, and are not guarantees of the performance, characteristics, and functions of the described products as mounted in the customer's products or equipment. To verify symptoms and states that cannot be evaluated in an independent device, the customer should always evaluate and test devices mounted in the customer's products or equipment.

**SANYO Semiconductor Co., Ltd.**

<http://semicon.sanyo.com/en/network>

# LC75836W

## Specifications

**Absolute Maximum Ratings** at  $T_a = 25^\circ\text{C}$ ,  $V_{SS} = 0\text{V}$

Parameter	Symbol	Conditions	Ratings	Unit
Maximum supply voltage	$V_{DD\text{ max}}$	$V_{DD}$	-0.3 to +7.0	V
Input voltage	$V_{IN1}$	CE, CL, DI, $\overline{INH}$	-0.3 to +7.0	V
	$V_{IN2}$	OSC, $V_{DD1}$ , $V_{DD2}$	-0.3 to $V_{DD}+0.3$	
Output voltage	$V_{OUT}$	S1 to S35, COM1 to COM4, P1 to P4, OSC	-0.3 to $V_{DD}+0.3$	V
Output current	$I_{OUT1}$	S1 to S35	300	$\mu\text{A}$
	$I_{OUT2}$	COM1 to COM4	3	
	$I_{OUT3}$	P1 to P4	5	
Allowable power dissipation	$P_{dmax}$	$T_a=85^\circ\text{C}$	100	mW
Operating temperature	$T_{opr}$		-40 to +85	$^\circ\text{C}$
Storage temperature	$T_{stg}$		-55 to +125	$^\circ\text{C}$

**Allowable Operating Ranges** at  $T_a = -40$  to  $+85^\circ\text{C}$ ,  $V_{SS} = 0\text{V}$

Parameter	Symbol	Conditions	Ratings			Unit
			min	typ	max	
Supply voltage	$V_{DD}$	$V_{DD}$	4.5		6.0	V
Input voltage	$V_{DD1}$	$V_{DD1}$		$2/3V_{DD}$	$V_{DD}$	V
	$V_{DD2}$	$V_{DD2}$		$1/3V_{DD}$	$V_{DD}$	
Input high-level voltage	$V_{IH1}$	CE, CL, DI, $\overline{INH}$	$0.4V_{DD}$		6.0	V
	$V_{IH2}$	OSC external clock operating mode	$0.4V_{DD}$		$V_{DD}$	
Input low-level voltage	$V_{IL1}$	CE, CL, DI, $\overline{INH}$	0		$0.2V_{DD}$	V
	$V_{IL2}$	OSC external clock operating mode	0		$0.2V_{DD}$	
Recommended external resistor for RC oscillation	$R_{osc}$	OSC RC oscillator operating mode		39		$\text{k}\Omega$
Recommended external capacitor for RC oscillation	$C_{osc}$	OSC RC oscillator operating mode		1000		pF
Guaranteed range of RC oscillation	$f_{osc}$	OSC RC oscillator operating mode	19	38	76	kHz
External clock operating frequency	$f_{CK}$	OSC external clock operating mode [Figure 4]	19	38	76	kHz
External clock duty cycle	$D_{CK}$	OSC external clock operating mode [Figure 4]	30	50	70	%
Data setup time	$t_{ds}$	CL, DI [Figure 2][Figure 3]	160			ns
Data hold time	$t_{dh}$	CL, DI [Figure 2][Figure 3]	160			ns
CE wait time	$t_{cp}$	CE, CL [Figure 2][Figure 3]	160			ns
CE setup time	$t_{cs}$	CE, CL [Figure 2][Figure 3]	160			ns
CE hold time	$t_{ch}$	CE, CL [Figure 2][Figure 3]	160			ns
High-level clock pulse width	$t_{\phi H}$	CL [Figure 2][Figure 3]	160			ns
Low-level clock pulse width	$t_{\phi L}$	CL [Figure 2][Figure 3]	160			ns
Rise time	$t_r$	CE, CL, DI [Figure 2][Figure 3]		160		ns
Fall time	$t_f$	CE, CL, DI [Figure 2][Figure 3]		160		ns
$\overline{INH}$ switching time	$t_c$	$\overline{INH}$ , CE [Figure 5]	10			$\mu\text{s}$

# LC75836W

## Electrical Characteristics for the Allowable Operating Ranges

Parameter	Symbol	Pin	Conditions	Ratings			Unit
				min	typ	max	
Hysteresis	$V_H$	CE, CL, DI, $\overline{INH}$			$0.03V_{DD}$		V
Input high-level current	$I_{IH1}$	CE, CL, DI, $\overline{INH}$	$V_I = 6.0V$			5.0	$\mu A$
	$I_{IH2}$	OSC	$V_I = V_{DD}$ external clock operating mode			5.0	
Input low-level current	$I_{IL1}$	CE, CL, DI, $\overline{INH}$	$V_I = 0V$	-5.0			$\mu A$
	$I_{IL2}$	OSC	$V_I = 0V$ external clock operating mode	-5.0			
Output high-level voltage	$V_{OH1}$	S1 to S35	$I_O = -20\mu A$	$V_{DD}-0.9$			V
	$V_{OH2}$	COM1 to COM4	$I_O = -100\mu A$	$V_{DD}-0.9$			
	$V_{OH3}$	P1 to P4	$I_O = -1mA$	$V_{DD}-0.9$			
Output low-level voltage	$V_{OL1}$	S1 to S35	$I_O = 20\mu A$			0.9	V
	$V_{OL2}$	COM1 to COM4	$I_O = 100\mu A$			0.9	
	$V_{OL3}$	P1 to P4	$I_O = 1mA$			0.9	
Output middle-level voltage *1	$V_{MID1}$	S1 to S35	1/3 bias $I_O = \pm 20\mu A$	$2/3V_{DD}-0.9$		$2/3V_{DD}+0.9$	V
	$V_{MID2}$	S1 to S35	1/3 bias $I_O = \pm 20\mu A$	$1/3V_{DD}-0.9$		$1/3V_{DD}+0.9$	
	$V_{MID3}$	COM1 to COM4	1/3 bias $I_O = \pm 100\mu A$	$2/3V_{DD}-0.9$		$2/3V_{DD}+0.9$	
	$V_{MID4}$	COM1 to COM4	1/3 bias $I_O = \pm 100\mu A$	$1/3V_{DD}-0.9$		$1/3V_{DD}+0.9$	
Oscillator frequency	fosc	OSC	RC oscillator operating mode $R_{osc} = 39 k\Omega$ , $C_{osc} = 1000pF$	30.4	38	45.6	kHz
Current drain	$I_{DD1}$	$V_{DD}$	Power-saving mode			5	$\mu A$
	$I_{DD2}$	$V_{DD}$	$V_{DD} = 6.0V$ output open RC oscillator operating mode fosc = 38kHz		350	700	
	$I_{DD3}$	$V_{DD}$	$V_{DD} = 6.0V$ output open External clock operating mode f <sub>CK</sub> = 38kHz $V_{IH2} = 0.5V_{DD}$ $V_{IL2} = 0.1V_{DD}$		450	900	

Note: \*1 Excluding the bias voltage generation divider resistors built in the  $V_{DD1}$  and  $V_{DD2}$ . (See Figure 1.)

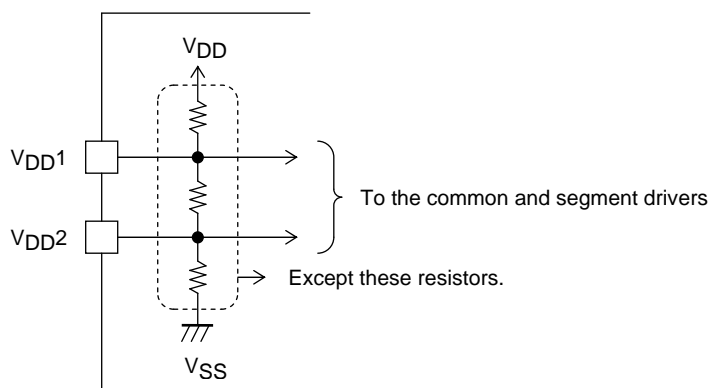


Figure 1

1. When CL is stopped at the low level

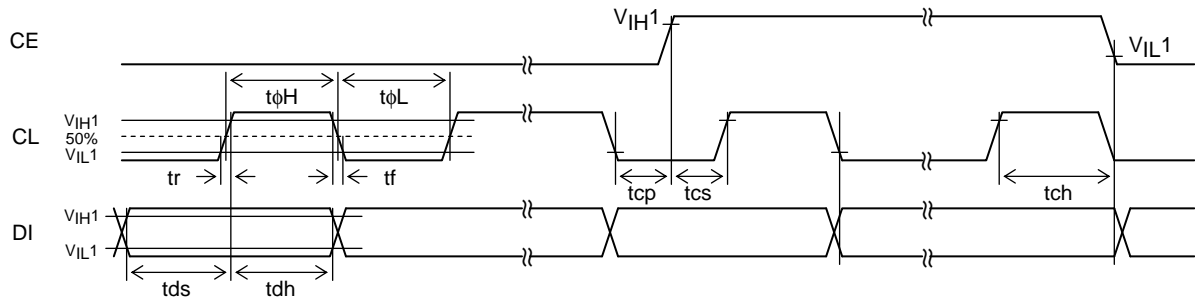


Figure 2

2. When CL is stopped at the high level

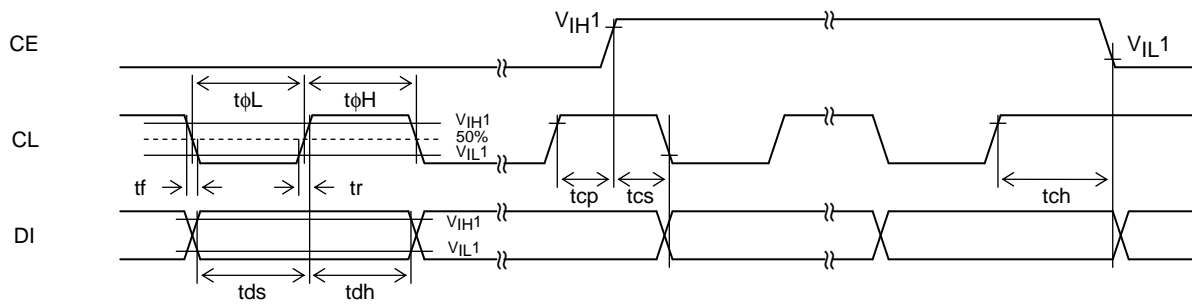


Figure 3

3. OSC pin clock timing in external clock operating mode

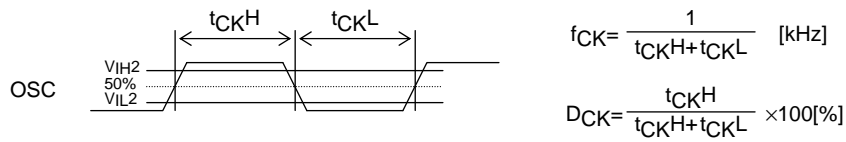
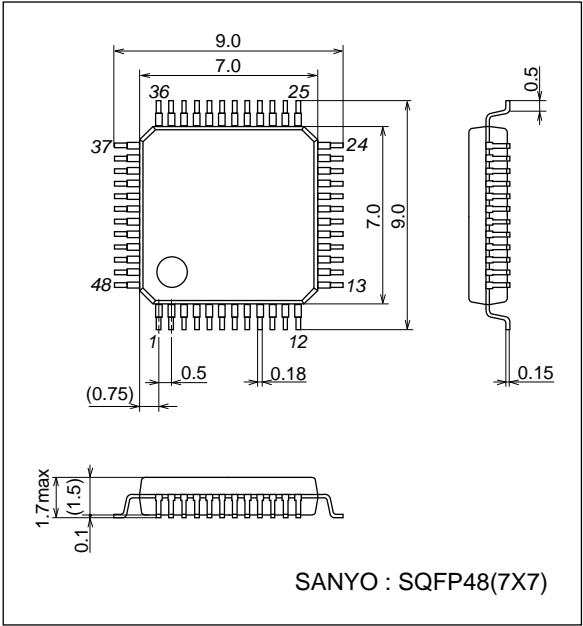


Figure 4

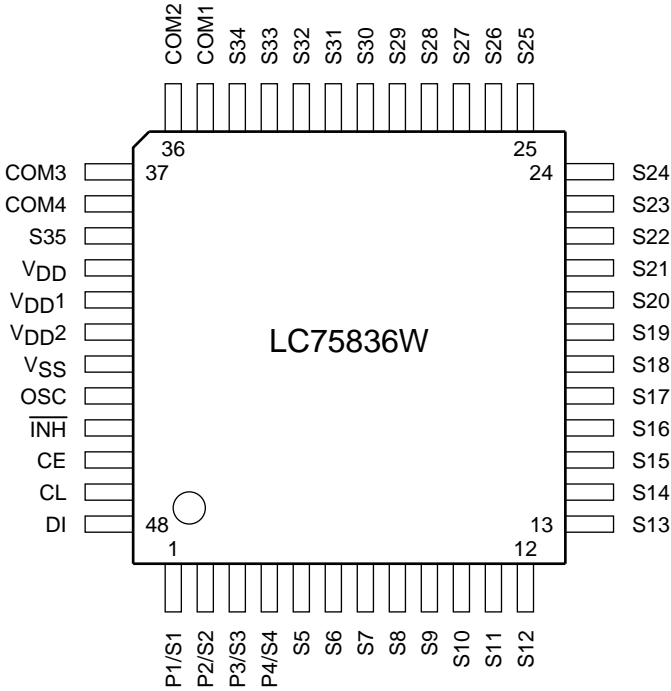
# LC75836W

## Package Dimensions

unit : mm (typ)  
3163B

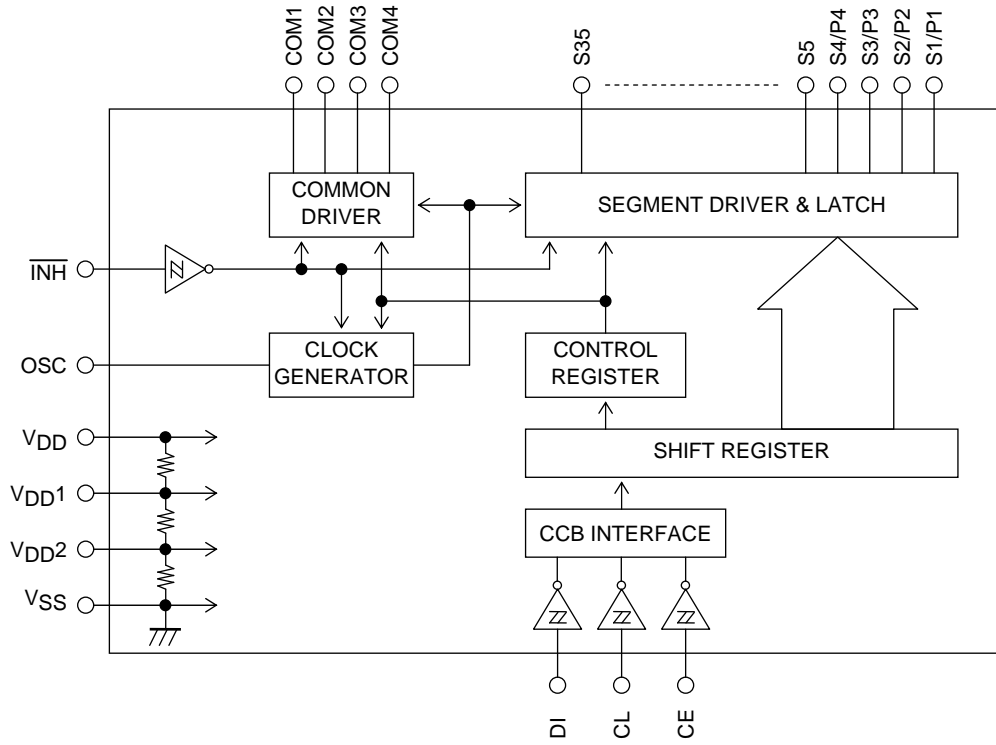


## Pin Assignment



Top view

Block Diagram



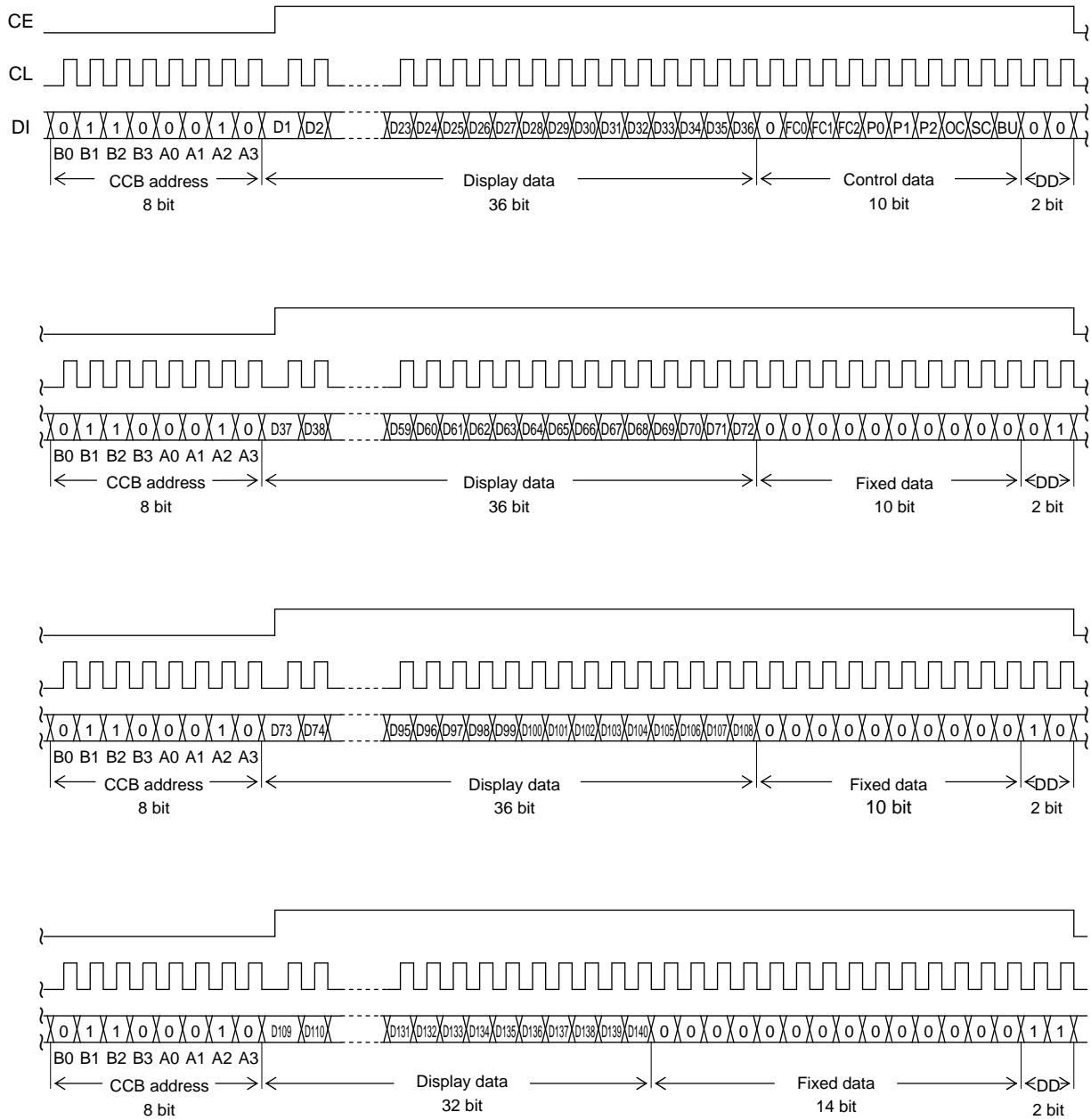
# LC75836W

## Pin Functions

Symbol	Pin No.	Function	Active	I/O	Handling when unused
S1/P1 to S4/P4 S5 to S34 S35	1 to 4  5 to 34 39	Segment outputs for displaying the display data transferred by serial data input. The S1/P1 to S4/P4 pins can be used as general-purpose output ports when so set up by the control data.	-	O	OPEN
COM1 to COM4	35 to 38	Common driver outputs. The frame frequency is $f_o$ [Hz].	-	O	OPEN
OSC	44	Oscillator connection. An oscillator circuit is formed by connecting an external resistor and capacitor to this pin. This pin can be used as the external clock input pin if external clock operating mode is selected with the control data.	-	I/O	$V_{DD}$
CE CL DI	46 47 48	Serial data transfer inputs. Must be connected to the controller. CE: Chip enable CL: Synchronization clock DI: Transfer data	H ↑ -	I I I	GND
$\overline{INH}$	45	Display off control input <ul style="list-style-type: none"> <li>• <math>\overline{INH} = \text{low } (V_{SS})</math> ...Display forced off <ul style="list-style-type: none"> <li>S1/P1 to S4/P4 = low (<math>V_{SS}</math>) (These pins are forcibly set to the segment output port function and held at the <math>V_{SS}</math> level.)</li> <li>S5 to S35 = low (<math>V_{SS}</math>)</li> <li>COM1 to COM4 = low (<math>V_{SS}</math>)</li> <li>OSC = Z (high impedance)</li> <li>RC oscillation stopped</li> <li>Inhibits external clock input.</li> </ul> </li> <li>• <math>\overline{INH} = \text{high } (V_{DD})</math>...Display on <ul style="list-style-type: none"> <li>RC oscillation enabled (RC oscillator operating mode)</li> <li>Enables external clock input (external clock operating mode).</li> </ul> </li> </ul> <p>However, serial data transfer is possible when the display is forced off.</p>	L	I	GND
$V_{DD1}$	41	Used to apply the LCD drive 2/3 bias voltage externally.	-	I	OPEN
$V_{DD2}$	42	Used to apply the LCD drive 1/3 bias voltage externally.	-	I	OPEN
$V_{DD}$	40	Power supply pin. A power voltage of 4.5 to 6.0V must be applied to this pin.	-	-	-
$V_{SS}$	43	Ground pin. Must be connected to ground.	-	-	-

Serial Data Transfer Formats

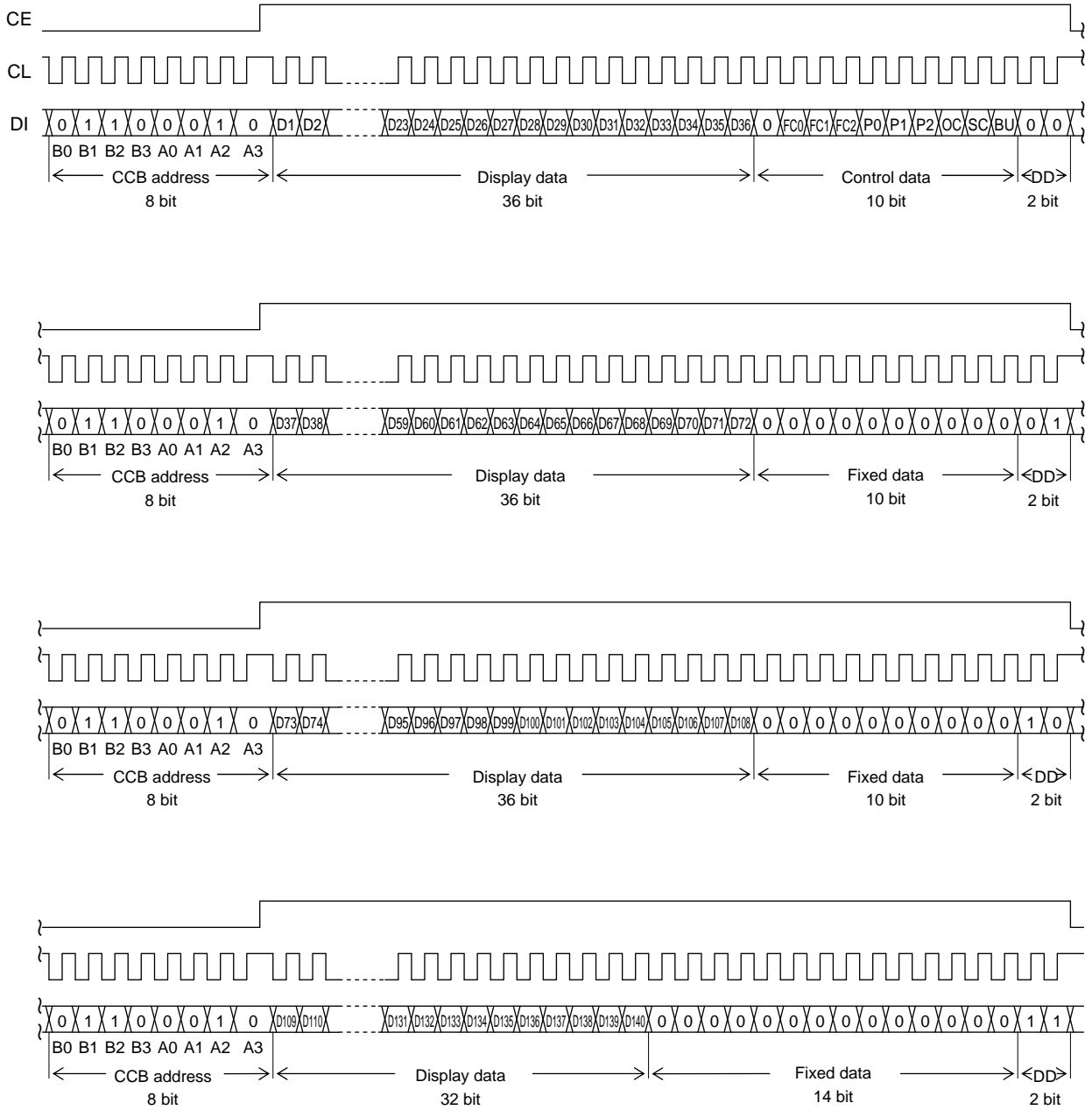
1. When CL is stopped at the low level



Note: DD is the direction data.



2. When CL is stopped at the high level

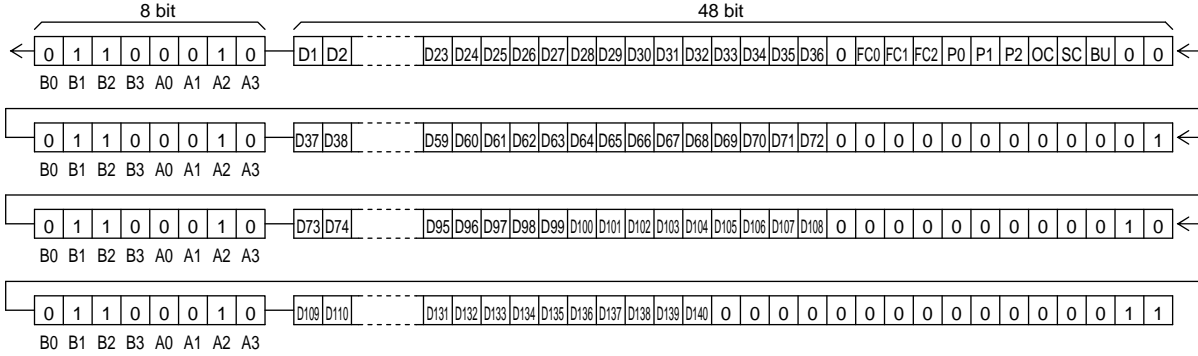


Note: DD is the direction data.

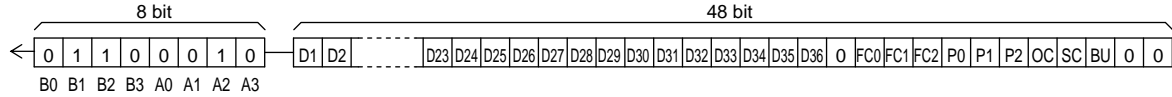
- CCB address ..... "46H"
- D1 to D140 ..... Display data
- FC0 to FC2 ..... Common/segment output waveform frame frequency control data
- P0 to P2 ..... Segment output port/general-purpose output port switching control data
- OC ..... RC oscillator operating mode/external clock operating mode switching control data
- SC ..... Segments on/off control data
- BU ..... Normal mode/power-saving mode control data

**Serial Data Transfer Example**

- When 109 or more segments are used  
All 192 bits of serial data must be sent.



- When fewer than 109 segments are used  
Either 48, 96, or 144 bits of serial data must be sent, depending on the number of segments to be used. However, the serial data shown below (the D1 to D36 display data and the control data) must always be sent.



## Control Data Functions

### 1. FC0 to FC2: Common/segment output waveform frame frequency control data

These control data bits set the frame frequency of the common and segment output waveforms.

Control data			Frame frequency fo [Hz]
FC0	FC1	FC2	
1	1	0	$f_{osc}/768, f_{CK}/768$
1	1	1	$f_{osc}/576, f_{CK}/576$
0	0	0	$f_{osc}/384, f_{CK}/384$
0	0	1	$f_{osc}/288, f_{CK}/288$
0	1	0	$f_{osc}/192, f_{CK}/192$

### 2. P0 to P2: Segment output port/general-purpose output port switching control data

These control data bits switch the segment output port/general-purpose output port functions of the S1/P1 to S4/P4 output pins.

Control data			Output pin state			
P0	P1	P2	S1/P1	S2/P2	S3/P3	S4/P4
0	0	0	S1	S2	S3	S4
0	0	1	P1	S2	S3	S4
0	1	0	P1	P2	S3	S4
0	1	1	P1	P2	P3	S4
1	0	0	P1	P2	P3	P4

Note: Sn (n = 1 to 4): Segment output ports

Pn (n = 1 to 4): General-purpose output ports

Note that when the general-purpose output port function is selected, the correspondence between the output pins and the display data will be that shown in the table.

Output pin	Corresponding display data
S1/P1	D1
S2/P2	D5
S3/P3	D9
S4/P4	D13

For example, if the general-purpose output port function is selected for the S4/P4 output pin, that output pin will output a high level ( $V_{DD}$ ) when the display data D13 is 1, and a low level ( $V_{SS}$ ) when the D13 is 0.

### 3. OC: RC oscillator operating mode/external clock operating mode switching control data.

This control data bit switches the OSC pin function (either RC oscillator operating mode or external clock operating mode).

OC	OSC pin function
0	RC oscillator operating mode
1	External clock operating mode

Note: An external resistor,  $R_{osc}$ , and an external capacitor,  $C_{osc}$ , must be connected to the OSC pin if RC oscillator operating mode is selected.

### 4. SC: Segment on/off control data

This control data bit controls the on/off state of the segments.

SC	Display state
0	On
1	Off

Note that when the segments are turned off by setting SC to 1, the segments are turned off by outputting segment off waveforms from the segment output pins.

## LC75836W

---

### 5. BU: Normal mode/power-saving mode control data

This control data bit selects either normal mode or power saving mode.

BU	Mode
0	Normal mode
1	Power saving mode. ( In RC oscillator operating mode (OC = 0), the OSC pin oscillator is stopped, and in external clock operating mode (OC = 1), acceptance of the external clock is stopped. In this mode the common and segment output pins go to the $V_{SS}$ levels. However, S1/P1 to S4/P4 output pins that are set to be general-purpose output ports by the control data P0 to P2 can be used as general-purpose output ports. )

## LC75836W

### Display Data and Output Pin Correspondence

Output pin	COM1	COM2	COM3	COM4
S1/P1	D1	D2	D3	D4
S2/P2	D5	D6	D7	D8
S3/P3	D9	D10	D11	D12
S4/P4	D13	D14	D15	D16
S5	D17	D18	D19	D20
S6	D21	D22	D23	D24
S7	D25	D26	D27	D28
S8	D29	D30	D31	D32
S9	D33	D34	D35	D36
S10	D37	D38	D39	D40
S11	D41	D42	D43	D44
S12	D45	D46	D47	D48
S13	D49	D50	D51	D52
S14	D53	D54	D55	D56
S15	D57	D58	D59	D60
S16	D61	D62	D63	D64
S17	D65	D66	D67	D68
S18	D69	D70	D71	D72

Output pin	COM1	COM2	COM3	COM4
S19	D73	D74	D75	D76
S20	D77	D78	D79	D80
S21	D81	D82	D83	D84
S22	D85	D86	D87	D88
S23	D89	D90	D91	D92
S24	D93	D94	D95	D96
S25	D97	D98	D99	D100
S26	D101	D102	D103	D104
S27	D105	D106	D107	D108
S28	D109	D110	D111	D112
S29	D113	D114	D115	D116
S30	D117	D118	D119	D120
S31	D121	D122	D123	D124
S32	D125	D126	D127	D128
S33	D129	D130	D131	D132
S34	D133	D134	D135	D136
S35	D137	D138	D139	D140

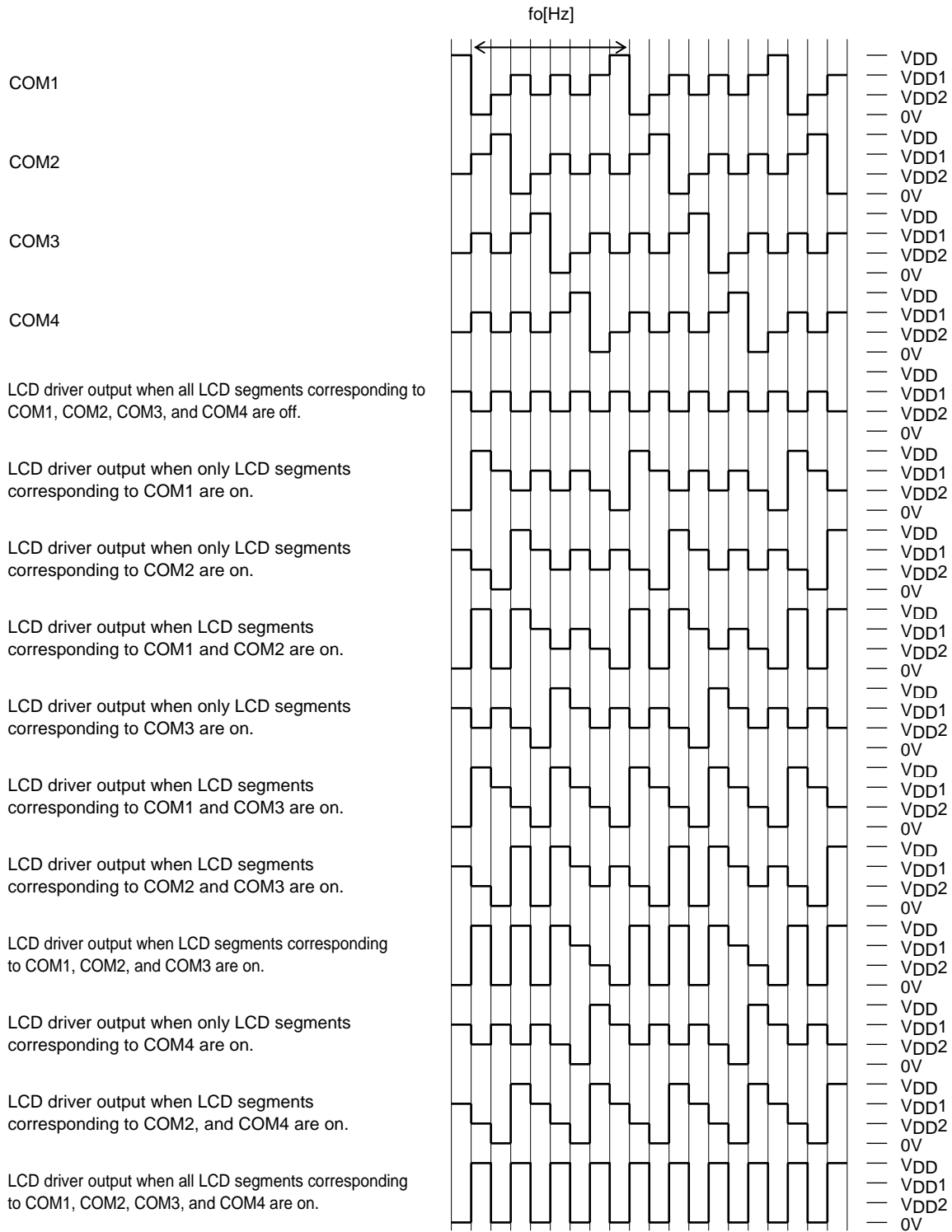
Note: Applies when the S1/P1 to S4/P4 output pins are set to their segment output function.

For example, the table below lists the output states for the S21 output pin.

Display data				Output pin (S21) state
D81	D82	D83	D84	
0	0	0	0	The LCD segments corresponding to COM1, COM2, COM3, and COM4 are off.
0	0	0	1	The LCD segment corresponding to COM4 is on.
0	0	1	0	The LCD segment corresponding to COM3 is on.
0	0	1	1	The LCD segments corresponding to COM3 and COM4 are on.
0	1	0	0	The LCD segment corresponding to COM2 is on.
0	1	0	1	The LCD segments corresponding to COM2 and COM4 are on.
0	1	1	0	The LCD segments corresponding to COM2 and COM3 are on.
0	1	1	1	The LCD segments corresponding to COM2, COM3, and COM4 are on.
1	0	0	0	The LCD segment corresponding to COM1 is on.
1	0	0	1	The LCD segments corresponding to COM1 and COM4 are on.
1	0	1	0	The LCD segments corresponding to COM1 and COM3 are on.
1	0	1	1	The LCD segments corresponding to COM1, COM3, and COM4 are on.
1	1	0	0	The LCD segments corresponding to COM1 and COM2 are on.
1	1	0	1	The LCD segments corresponding to COM1, COM2, and COM4 are on.
1	1	1	0	The LCD segments corresponding to COM1, COM2, and COM3 are on.
1	1	1	1	The LCD segments corresponding to COM1, COM2, COM3, and COM4 are on.

# LC75836W

## Output Waveforms (1/4-Duty 1/3-Bias Drive Scheme)



Control data			Frame frequency $f_o$ [Hz]
FC0	FC1	FC2	
1	1	0	$f_{osc}/768, f_{CK}/768$
1	1	1	$f_{osc}/576, f_{CK}/576$
0	0	0	$f_{osc}/384, f_{CK}/384$
0	0	1	$f_{osc}/288, f_{CK}/288$
0	1	0	$f_{osc}/192, f_{CK}/192$

Display Control and the  $\overline{\text{INH}}$  Pin

Since the LSI internal data (the display data D1 to D140 and the control data) is undefined when power is first applied, applications should set the  $\overline{\text{INH}}$  pin low at the same time as power is applied to turn off the display. (This sets the S1/P1 to S4/P4, S5 to S35, and COM1 to COM4 pins to the  $V_{SS}$  level.) and during this period send serial data from the controller. The controller should then set the  $\overline{\text{INH}}$  pin high after the data transfer has completed. This procedure prevents meaningless displays at power on.

(See Figure 5.)

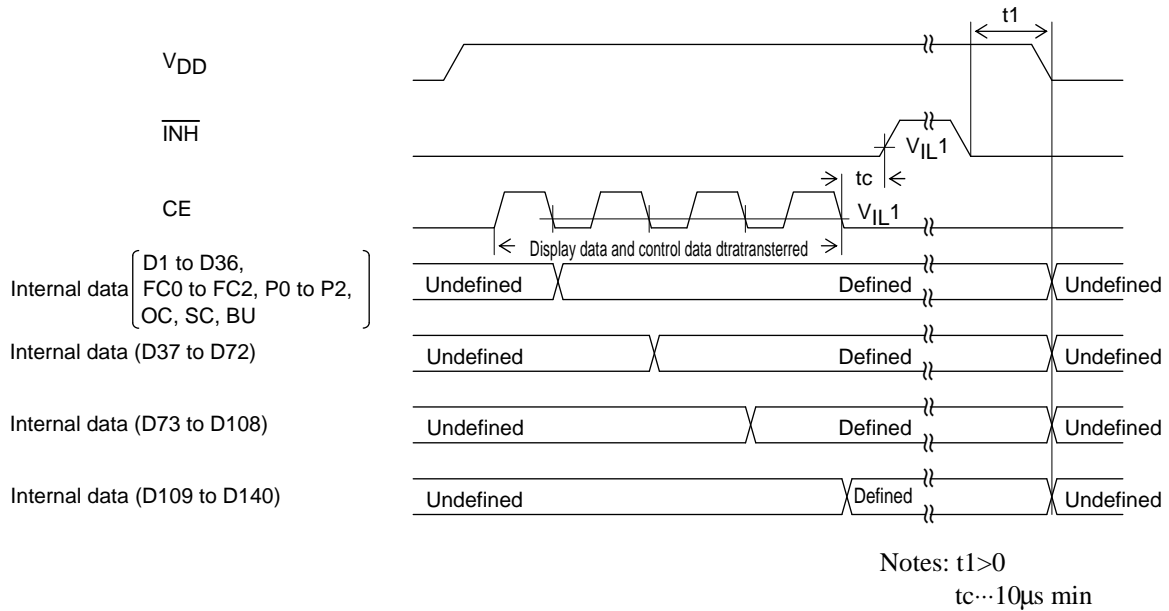


Figure 5

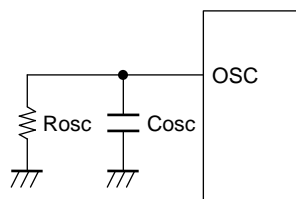
## Notes on Controller Transfer of Display Data

Since the LC75836W transfer the display data (D1 to D140) in four separate transfer operations, we recommend that applications make a point of completing all four data transfers within a period of less than 30ms to prevent observable degradation of display quality.

## OSC Pin Peripheral Circuit

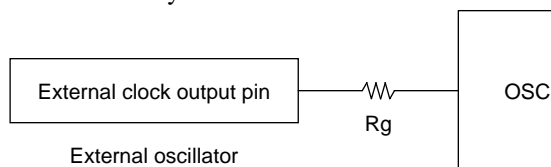
(1) RC oscillator operating mode (control data OC = 0)

An external resistor,  $R_{osc}$ , and an external capacitor,  $C_{osc}$ , must be connected between the OSC pin and GND if RC oscillator operating mode is selected.



(2) External clock operating mode (control data OC = 1)

When the external clock operating mode is selected, insert a current protection resistor  $R_g$  (4.7 to 47k $\Omega$ ) between the OSC pin and external clock output pin (external oscillator). Determine the value of the resistance according to the allowable current value at the external clock output pin. Also make sure that the waveform of the external clock is not heavily distorted.

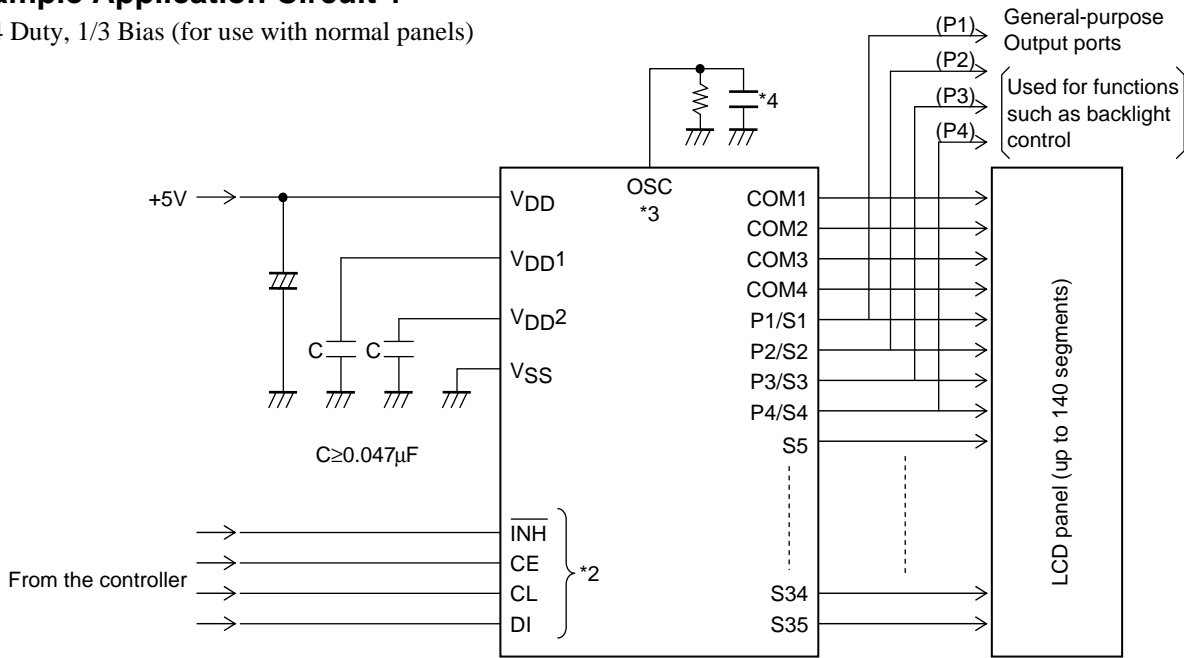


Note: Allowable current value at external clock output pin  $> \frac{V_{DD}}{R_g}$



**Sample Application Circuit 1**

1/4 Duty, 1/3 Bias (for use with normal panels)



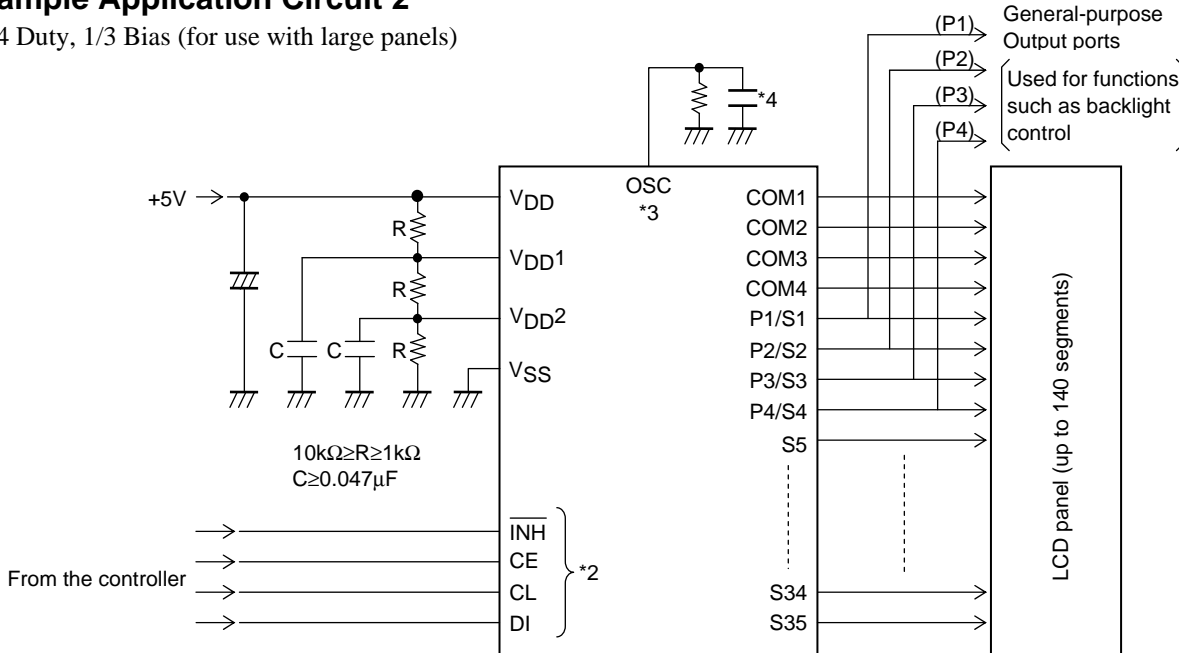
\*2: The pins to be connected to the controller (CE, CL, DI,  $\overline{\text{INH}}$ ) can handle 3V.

\*3: In RC oscillator operating mode, an external resistor, R<sub>osc</sub>, and an external capacitor, C<sub>osc</sub>, must be connected between the OSC pin and ground. If external clock operating mode is selected, a current protection resistor, R<sub>g</sub> (4.7 to 47 kΩ), must be inserted between the external clock output pin (on the external oscillator) and the OSC pin. (See the “OSC Pin Peripheral Circuit” section.)

\*4: When a capacitor except the recommended external capacitance (C<sub>osc</sub> = 1000pF) is connected to the OSC pin, it should be in the range 220 to 2200pF.

**Sample Application Circuit 2**

1/4 Duty, 1/3 Bias (for use with large panels)



\*2: The pins to be connected to the controller (CE, CL, DI,  $\overline{\text{INH}}$ ) can handle 3V.

\*3: In RC oscillator operating mode, an external resistor, R<sub>osc</sub>, and an external capacitor, C<sub>osc</sub>, must be connected between the OSC pin and ground. If external clock operating mode is selected, a current protection resistor, R<sub>g</sub> (4.7 to 47 kΩ), must be inserted between the external clock output pin (on the external oscillator) and the OSC pin. (See the “OSC Pin Peripheral Circuit” section.)

\*4: When a capacitor except the recommended external capacitance (C<sub>osc</sub> = 1000pF) is connected to the OSC pin, it should be in the range 220 to 2200pF.

- SANYO Semiconductor Co.,Ltd. assumes no responsibility for equipment failures that result from using products at values that exceed, even momentarily, rated values (such as maximum ratings, operating condition ranges, or other parameters) listed in products specifications of any and all SANYO Semiconductor Co.,Ltd. products described or contained herein.
- SANYO Semiconductor Co.,Ltd. strives to supply high-quality high-reliability products, however, any and all semiconductor products fail or malfunction with some probability. It is possible that these probabilistic failures or malfunction could give rise to accidents or events that could endanger human lives, trouble that could give rise to smoke or fire, or accidents that could cause damage to other property. When designing equipment, adopt safety measures so that these kinds of accidents or events cannot occur. Such measures include but are not limited to protective circuits and error prevention circuits for safe design, redundant design, and structural design.
- In the event that any or all SANYO Semiconductor Co.,Ltd. products described or contained herein are controlled under any of applicable local export control laws and regulations, such products may require the export license from the authorities concerned in accordance with the above law.
- No part of this publication may be reproduced or transmitted in any form or by any means, electronic or mechanical, including photocopying and recording, or any information storage or retrieval system, or otherwise, without the prior written consent of SANYO Semiconductor Co.,Ltd.
- Any and all information described or contained herein are subject to change without notice due to product/technology improvement, etc. When designing equipment, refer to the "Delivery Specification" for the SANYO Semiconductor Co.,Ltd. product that you intend to use.
- Information (including circuit diagrams and circuit parameters) herein is for example only; it is not guaranteed for volume production.
- Upon using the technical information or products described herein, neither warranty nor license shall be granted with regard to intellectual property rights or any other rights of SANYO Semiconductor Co.,Ltd. or any third party. SANYO Semiconductor Co.,Ltd. shall not be liable for any claim or suits with regard to a third party's intellectual property rights which has resulted from the use of the technical information and products mentioned above.

This catalog provides information as of March, 2009. Specifications and information herein are subject to change without notice.