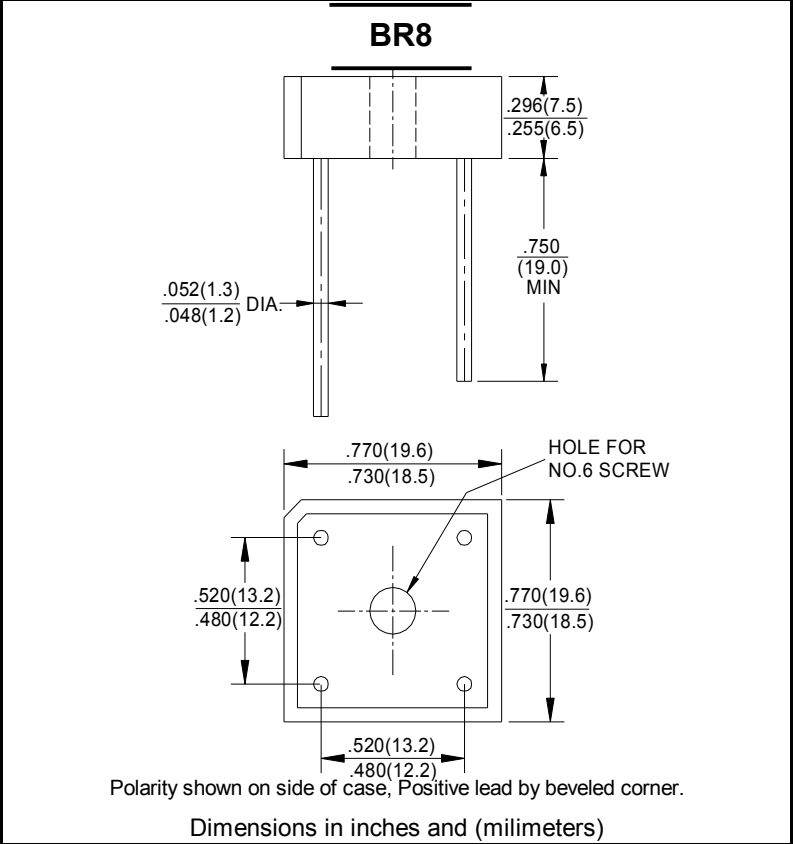


<b>GLASS PASSIVATED BRIDGE RECTIFIERS</b>	<b>REVERSE VOLTAGE</b> - 50 to 1000Volts <b>FORWARD CURRENT</b> - 10.0 Amperes
---	---

**FEATURES**

- Surge overload rating -200 amperes peak
- Low forward voltage drop
- Small size; simple installation
- Sliver plated copper leads
- Mounting position: Any



## MAXIMUM RATINGS AND ELECTRICAL CHARACTERISTICS

Rating at 25°C ambient temperature unless otherwise specified.  
 Single phase, half wave ,60Hz, resistive or inductive load.  
 For capacitive load, derate current by 20%

CHARACTERISTICS	SYMBOL	BR 10005SG	BR 1001SG	BR 1002SG	BR 1004SG	BR 1006SG	BR 1008SG	BR 1010SG	UNIT
Maximum Recurrent Peak Reverse Voltage	VRRM	50	100	200	400	600	800	1000	v
Maximum RMS Bridge Input Voltage	VRMS	35	70	140	280	420	560	700	v
Maximum Average Forward Rectified Output Current at	I(AV)	10.0							A
Tc=50°C		6.0							
TA=100°C (Note1)		6.0							
TA=50°C (Note2)		6.0							
Peak Forward Surage Current 8.3ms Single Half Sine-Wave Super Imposed on Rated Load	IFSM	200							A
Maximum Forward Voltage Drop Per Bridge Element at 5.0A Peak	VF	1.1							V
Maximum Reverse Current at Rated DC Blocking Voltage Per Element	IR	10.0							µA
TA=25°C		1.0							mA
TA=100°C									
Operating Temperature Rang	TJ	-55 to +150							°C
Storage Temperature Rang	TSTG	-55 to +150							°C

Notes:1. Unit mounted on metal chassis  
 2. Unit mounted on P.C. board

# RATING AND CHARACTERISTIC CURVES

## BR10G SERIES

FIG.1-DERATING CURVE  
OUTPUT RECTIFIED CURRENT

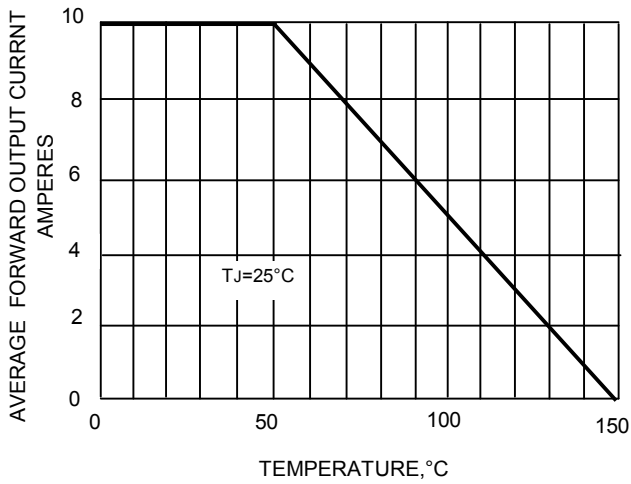


FIG.2-MAXIMUM FORWARD SURGE CURRENT

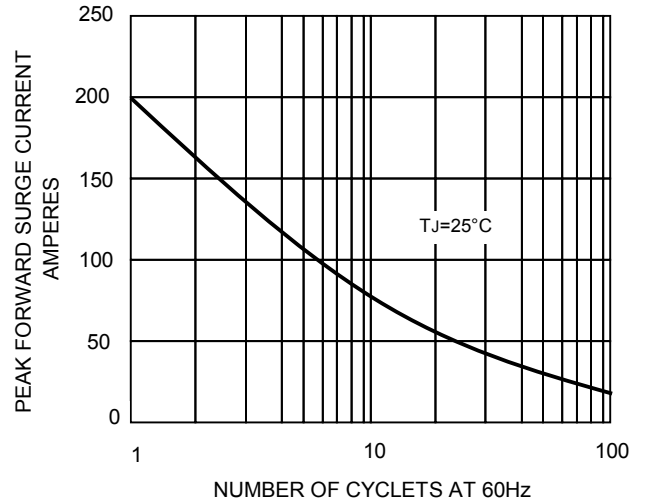


FIG.3-TYPICAL FORWARD CHARACTERISTICS

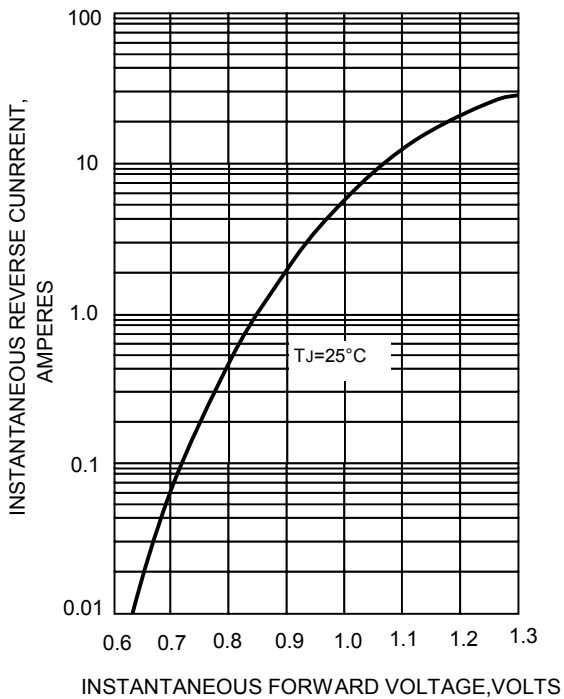


FIG.4-TYPICAL REVERSE CHARACTERISTICS

