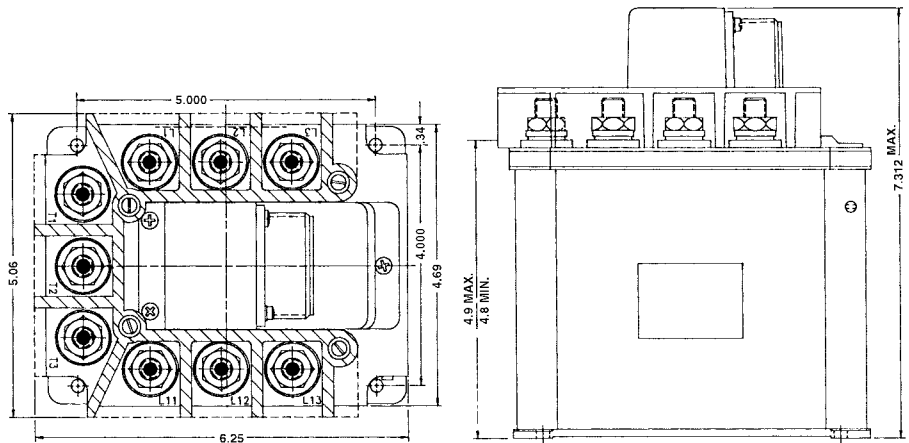


B-460 6PST, 250 Amps, 208 VAC, 400 Hz

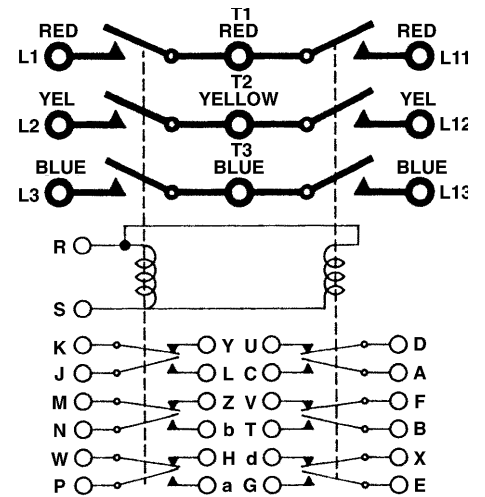


Dimensions for this product are expressed in inches. Multiply values by 25.4 for millimeters.

Features:

- 6PST Main Contacts
- 208 VAC
- 250 Amps
- High Reliability
- Meets many requirements of MIL-R-6106

CONTACTOR CONFIGURATION



Notes:

PRODUCT SPECIFICATIONS	
Construction	Gasket Sealed, Vented
Main Contacts:	
Configuration	6PST
Voltage (Nominal)	208 VAC, 400 Hz
Current (Resistive)	250 Amps
Auxiliary Contacts:	
Configuration	6-SPST N.O., 6-SPST N.C.
Voltage (Nominal)	28 VDC or 208 VAC, 400 Hz
Current	
Resistive	6 Amps
Inductive	6 Amps
Lamp	3 Amps
Coil Data:	
Duty Cycle	Continuous
Voltage (Nominal)	28 VDC
Pick-Up Voltage	18 VDC Maximum
Drop-Out Voltage	1 - 7 VDC
Coil Current @ 28 VDC & +25°C	1.5 Amps Maximum
Operating Temperature	-54°C to +71°C
Life:	
Electrical	50,000 Cycles
Mechanical	100,000 Cycles
Weight Maximum	7 Lbs.

For factory-direct application assistance, contact the HARTMAN product team at (419) 521-9500, Fax (419) 526-2749.

© 2004 by Tyco Electronics Corporation. All Rights Reserved. HARTMAN and TYCO are trademarks.