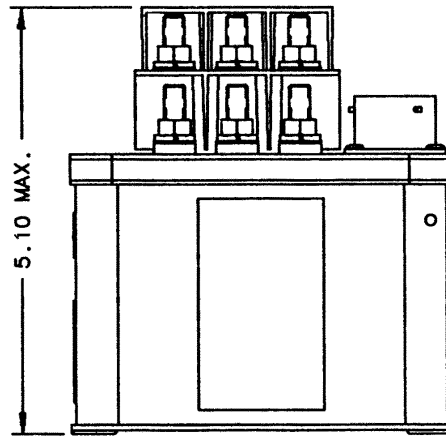
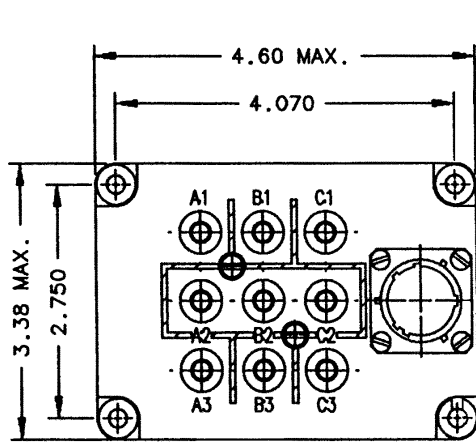


**B-435K-3 3PDT, Center Off, 140 Amps,
115/200 VAC, 400 Hz**

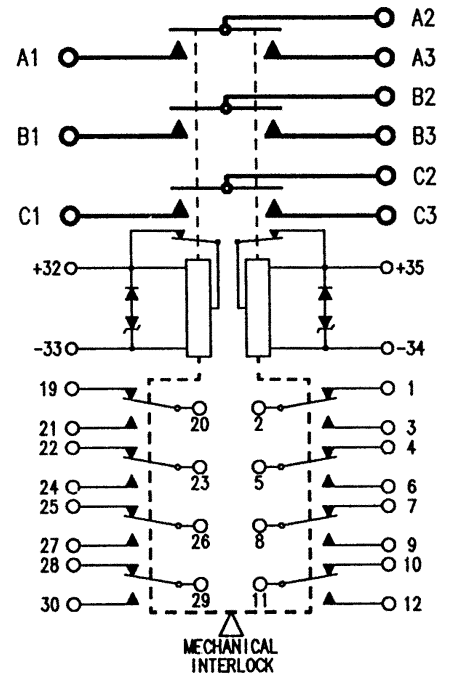


Dimensions for this product are expressed in inches.
Multiply values by 25.4 for millimeters.

Features:

- 3PDT Center Off Main Contacts
- Transient Suppression
- Mechanically Interlocked
- Economizing Coil
- 115/200 VAC, 400 Hz
- 140 Amps
- High Reliability
- Meets many requirements of MIL-R-6106

CONTACTOR CONFIGURATION



Notes:

PRODUCT SPECIFICATIONS	
Construction	Gasket Sealed, Vented
Main Contacts:	
Configuration	3PDT Center Off
Voltage (Nominal)	115/200 VAC, 400 Hz
Current (Resistive)	140 Amps
Auxiliary Contacts:	
Configuration	8-SPDT
Voltage (Nominal)	28 VDC or 115 VAC, 400 Hz
Current	
Resistive	1 Amp
Inductive	0.5 Amp
Coil Data:	
Duty Cycle	Continuous (Economizing)
Voltage (Nominal)	28 VDC
Pick-Up Voltage	17 VDC Maximum
Drop-Out Voltage	1.5 - 7 VDC
Coil Current @ 28 VDC & +25°C	
In-Rush	3.5 Amps Maximum
Hold	0.35 Amps Maximum
Operating Temperature	-55°C to +71°C
Life:	
Electrical	50,000 Cycles
Mechanical	100,000 Cycles
Weight	2.86 Lbs.

For factory-direct application assistance, contact the HARTMAN product team at (419) 521-9500, Fax (419) 526-2749.

© 2004 by Tyco Electronics Corporation. All Rights Reserved. HARTMAN and TYCO are trademarks.