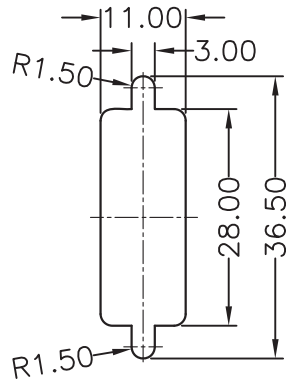
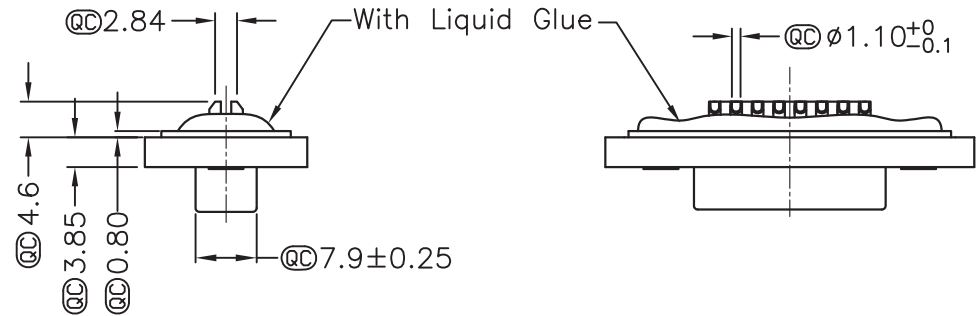
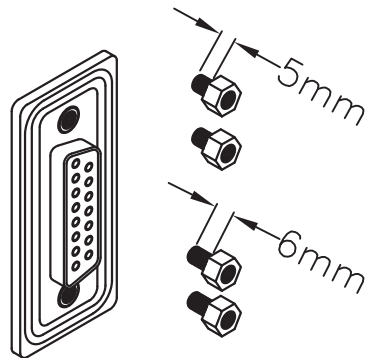
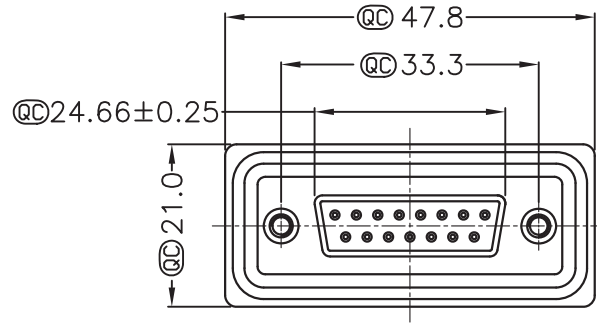


Screw L=5.0 For Panel Thickness Under 1.2mm

Screw L=6.0 For Panel Thickness Between 1.2~2.0mm



Recommended Panel Cut-Out



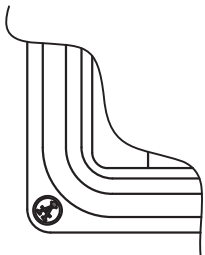
@C = Important Dimension

**Material:**

- Waterproof Rate: IP67
- Connector: Black, Nylon + GF
- Pin: Copper Alloy, Gold Plated
- Applicable Wire Range: 22AWG - 26AWG
- Insulators: PBT
- Max Torque on hex stand off: 9.92LB

**Electrical:**

- Current Rating: 5A
- Dielectric voltage: 500V AC / 1 Minute
- Insulation resistance: >500MΩ Min.
- Operating Temperature: -40°C to +105°C



⊕ = Assmann logo



ITEM NO.

**A-DF15LL-WP-R**

TITLE

D-Sub Connector Waterproof, Solder Cup Version,  
Female, 15-Pin

**ASSMANN**  
Electronics, Inc.

1840 W. Drake Drive, Suite 101 • Tempe, AZ 85283  
Toll Free: 1-877-277-6266 • Email: info@usa-assmann.com

THIS DRAWING IS UNPUBLISHED  
©Copyright 2009 by Assmann Electronic Components  
All International Rights Reserved