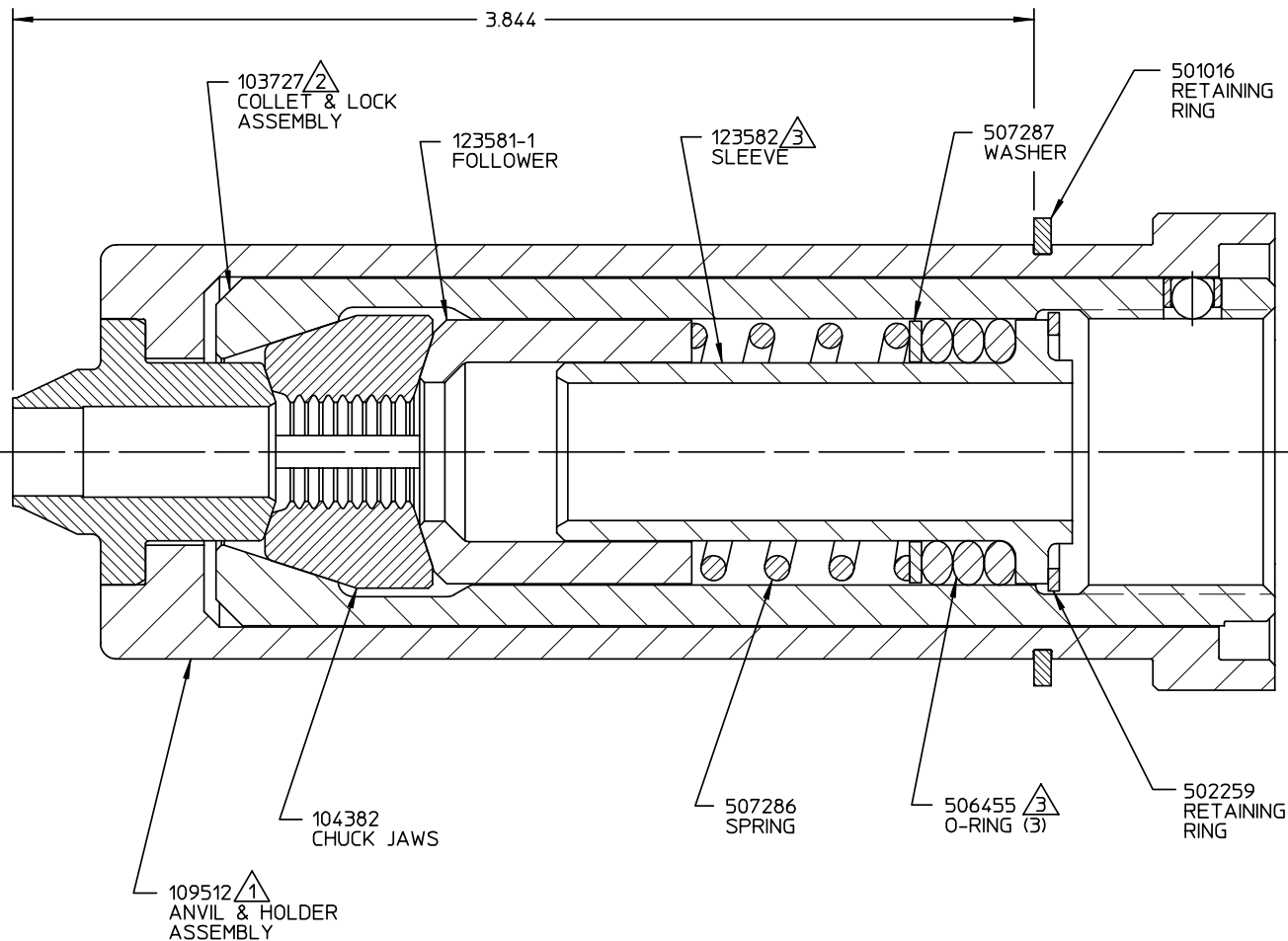
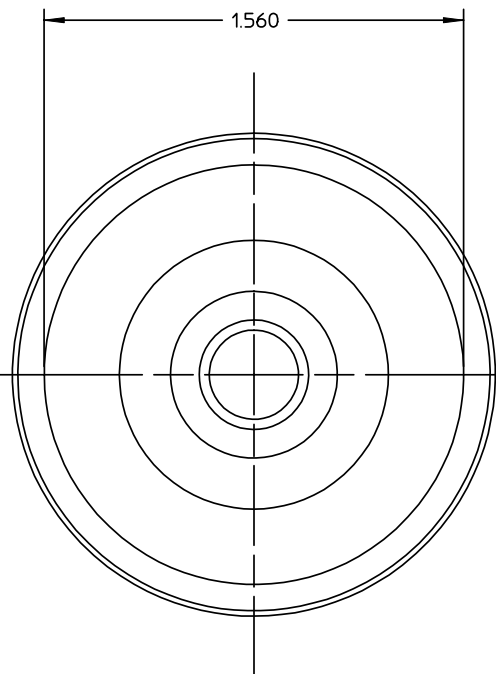


DATA SHEET



Alcoa Fastening Systems

Commercial Products
1 Corporate Drive, Kingston, NY 12401

99-2798	Part Number	TYPE:	SELF-RELEASING
		FASTENER:	-14 BLIND BOLT
		TOOL(S):	2620-PT
		Notes:	Product Revision: A
US Patent:		Date:	07/08/03

NOTES:

- ① 109512 ANVIL & HOLDER ASSEMBLY CONSISTS OF:
103731 ANVIL HOLDER (NOT AVAILABLE SEPARATELY);
& 109505 DRIVING ANVIL.
- ② 103727 COLLET & LOCK ASSEMBLY CONSISTS OF:
103728 COLLET (NOT AVAILABLE SEPARATELY);
& 101282 LOCK ASSEMBLY.
- ③ ASSEMBLE SLEEVE AND O-RINGS PER HUCK SPEC. 42-491