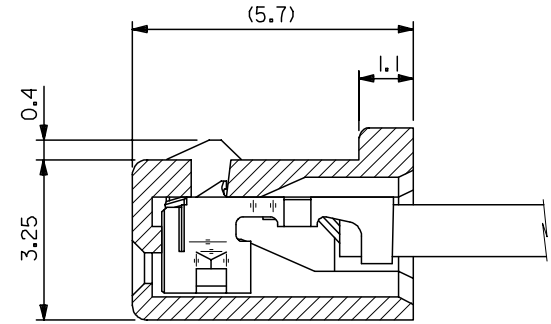
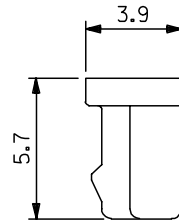
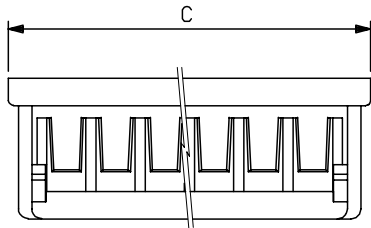
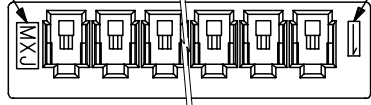
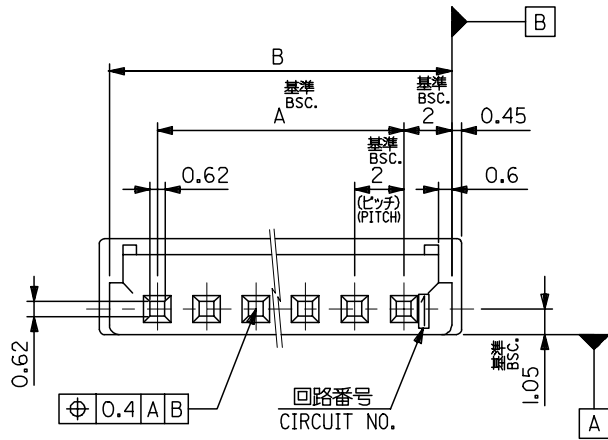


トレードマーク
TRADE MARK.

回路番号
CIRCUIT NO.



ターミナル装着状態図
FIGURE OF TERMINAL WHEN ASSEMBLED



32.9	32	28	51090-1500	15
30.9	30	26	-1400	14
28.9	28	24	-1300	13
26.9	26	22	-1200	12
24.9	24	20	-1100	11
22.9	22	18	-1000	10
20.9	20	16	-0900	9
18.9	18	14	-0800	8
16.9	16	12	-0700	7
14.9	14	10	-0600	6
12.9	12	8	-0500	5
10.9	10	6	-0400	4
8.9	8	4	-0300	3
6.9	6	2	51090-0200	2
C	B	A	ENG. NO.	* T CKT.

注記 NOTES

- 適合ターミナル: 50212-8*00, 50372-8*00, 59354-8***
APPLICABLE TERMINAL
- 嵌合相手: 53324-***0, 53325-***0, 53358-***0, 501708-0801
MATES WITH
- 材質: PBT, UL94V-0
MATERIAL: PBT, UL94V-0

GENERAL TOLERANCES (UNLESS SPECIFIED)		DIMENSION STYLE MM ONLY		SCALE ---	DESIGN UNITS METRIC	THIRD ANGLE PROJECTION	
10 UNDER	±0.2	DRAWN BY	DATE	TITLE			
10 OVER 30 UNDER	±0.25	M. FUJIKURA	'90/10/31	2.0 W/B CONN REC HSG			
30 OVER	±0.3	CHECKED BY	DATE	MOLEX INCORPORATED			
ANGULAR	±3 °	H. HIRAMOTO	'92/09/04	MATERIAL NO.			
DRAFT WHERE APPLICABLE MUST REMAIN WITHIN DIMENSIONS		M. FUKUSHIMA	'92/09/04	DOCUMENT NO.		SHEET NO.	
		SEE CHART		SD-51090-***00		1 OF 1	
THIS DRAWING CONTAINS INFORMATION THAT IS PROPRIETARY TO MOLEX INCORPORATED AND SHOULD NOT BE USED WITHOUT WRITTEN PERMISSION							