

## FEATURES AND SPECIFICATIONS

### Features and Benefits

- Sizes 6 to 50 circuits
- Used primarily for high density remote interconnections
- Locking crown secures positive latch to connector
- Polarization slots guide front ribs of mating connector to prevent pin damage
- Mates modular branch pin assemblies to modular branch connector assemblies in a dual row configuration

### Reference Information

Packaging: Bag  
 UL File No.: E29179  
 CSA File No.: LR19980  
 Mates With: 70013 interim clip front side, and side-to-side stacked 70066D and 70475D on back side  
 Designed In: Inches

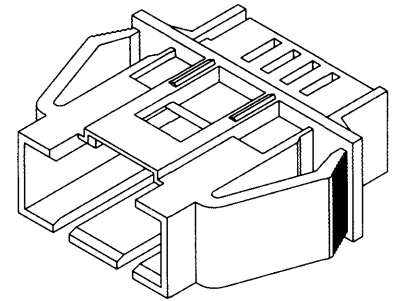
### Physical

Housing: Black glass-filled polyester, UL 94V-0  
 Operating Temperature: -40 to +105°C



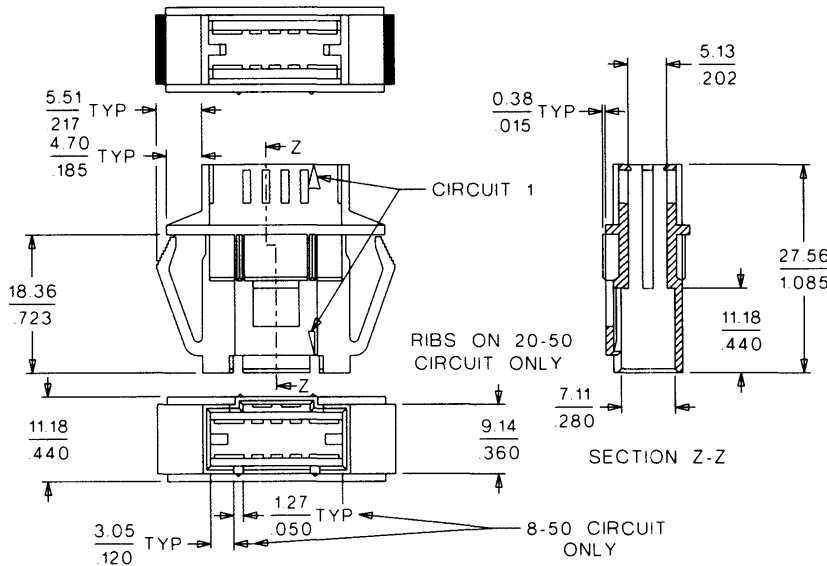
# 2.54mm (.100") Pitch SL™ Wire-to-Wire Panel Mount Connector

## 70022 Dual Row Modular Branch

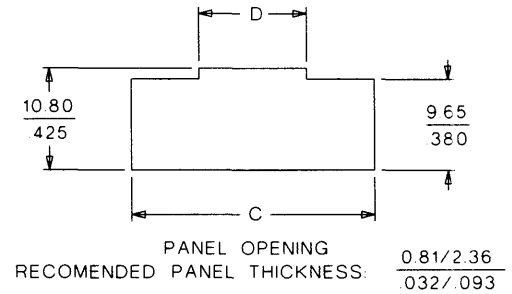
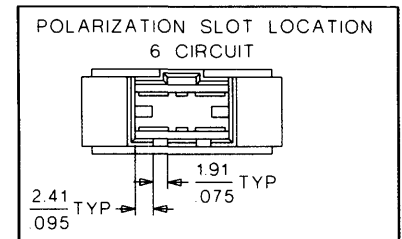


2.54mm (.100") Pitch

### CATALOG DRAWING (FOR REFERENCE ONLY)



### Not For Use With Molex C-Grid III™ Components



### ORDERING INFORMATION AND DIMENSIONS

| Circuits | Order No.    | Dimension     |               |
|----------|--------------|---------------|---------------|
|          |              | C             | D             |
| 6        | • 50-65-0006 | 20.70 (.815)  | 8.64 (.340)   |
| 8        | • 50-65-0008 | 23.24 (.915)  | 8.89 (.350)   |
| 10       | • 50-65-0010 | 25.78 (1.015) | 11.43 (.450)  |
| 12       | • 50-65-0012 | 28.32 (1.115) | 13.97 (.550)  |
| 14       | • 50-65-0014 | 30.86 (1.215) | 16.51 (.650)  |
| 16       | • 50-65-0016 | 33.40 (1.315) | 19.05 (.750)  |
| 18       | • 50-65-0018 | 35.94 (1.415) | 21.59 (.850)  |
| 20       | • 50-65-0020 | 38.48 (1.515) | 24.13 (.950)  |
| 22       | • 50-65-0022 | 41.02 (1.615) | 26.67 (1.050) |
| 24       | • 50-65-0024 | 43.56 (1.715) | 29.21 (1.150) |
| 26       | • 50-65-0026 | 46.10 (1.815) | 31.75 (1.250) |
| 28       | • 50-65-0028 | 48.64 (1.915) | 34.29 (1.350) |

| Circuits | Order No.    | Dimension     |               |
|----------|--------------|---------------|---------------|
|          |              | C             | D             |
| 30       | • 50-65-0030 | 51.18 (2.015) | 36.83 (1.450) |
| 32       | • 50-65-0032 | 53.72 (2.115) | 39.37 (1.550) |
| 34       | • 50-65-0034 | 56.26 (2.215) | 41.91 (1.650) |
| 36       | • 50-65-0036 | 58.80 (2.315) | 44.45 (1.750) |
| 38       | • 50-65-0038 | 61.34 (2.415) | 46.99 (1.850) |
| 40       | • 50-65-0040 | 63.88 (2.515) | 49.53 (1.950) |
| 42       | • 50-65-0042 | 66.42 (2.615) | 52.07 (2.050) |
| 44       | • 50-65-0051 | 68.96 (2.715) | 54.61 (2.150) |
| 46       | • 50-65-0046 | 71.50 (2.815) | 57.15 (2.250) |
| 48       | • 50-65-0048 | 74.04 (2.915) | 59.69 (2.350) |
| 50       | • 50-65-0050 | 76.58 (3.015) | 62.23 (2.450) |

• US Standard Product, available through Molex franchised distributors