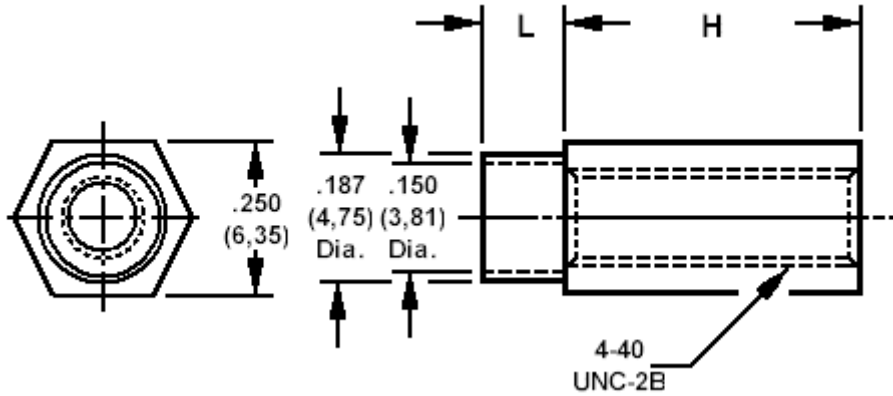


350-3927 Spacer/Stand-off, hexagonal, threaded, swage mount



How to order code
350-3927-XX-YY-00

Basic Part No XX = H & L dimensions, YY = Plating Finish

DIMENSIONS (XX)					
Basic Part #	(XX)			H	Swage Anvil
350-3927	-09	-17	-25	.125 (3,18)	A
	-10	-18	-26	.188 (4,78)	A
	-11	-19	-27	.250 (6,35)	A
	-12	-20	-28	.375 (9,53)	A
	-13	-21	-29	.500 (12,70)	A
	-14	-22	-30	.625 (15,88)	B
	-15	-23	-31	.750 (19,05)	B
	-16	-24	-32	1.000 (25,40)	B
L	.109 (2,77)	.141 (3,58)	.172 (4,37)		
Board Thickness	.062 (1,59)	.094 (2,38)	.125 (3,18)		

MATERIALS			
Component	Material	Finish _t (YY)	
		-02	-07
Spacer/Stand-Off	Brass	Nickel	Cadmium (plus Chromate)

SWAGE TOOLING		
Recommended Swaging Tools:-		
Punch		435-6612-01-00-00
Anvil	A	435-6491-01-00-00
	B	435-6491-02-00-00