

FEATURES AND SPECIFICATIONS

Features and Benefits

- Sizes 2 to 18 circuits
- End-to-end stackable

Reference Information

Product Specification: PS-08-50

Packaging: Bag

UL File No.: E29179

CSA File No.: LR19980

Mates With: Molex 3.96mm (.156") pitch connectors

Designed In: Inches

Electrical

Voltage: 250V

Current: 7.0A

Contact Resistance: 20mΩ max.

Dielectric Withstanding Voltage: 1500V

Insulation Resistance: 500K MΩ min.

Mechanical

Mating Force: 24 oz max.

Unmating Force: 4 oz min.

Normal Force: 350g

Durability: 25 cycles Tin

Physical

Housing: Nylon, UL 94V-2

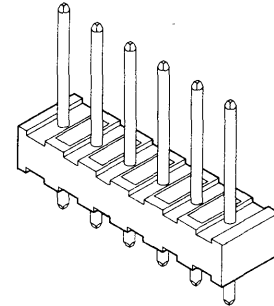
Contact: Brass, 1.14mm (.045") round

Plating: 5μm Tin and 0.51μm Gold

Operating Temperature: 0 to +75°C

molex® 3.96mm (.156") Pitch KK® Header

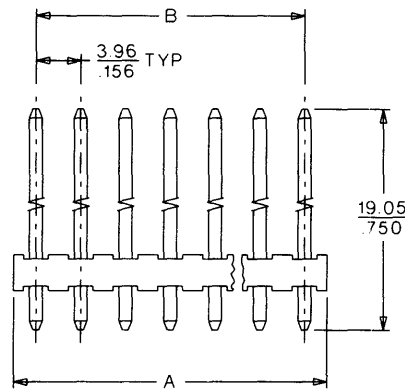
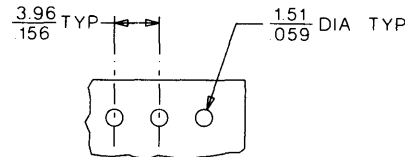
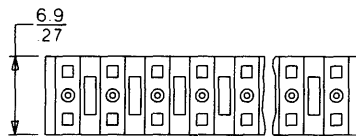
3192 Vertical Round Pin



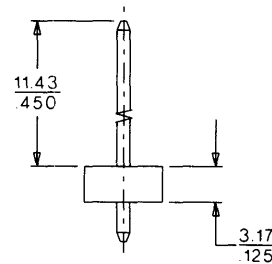
3.00 to 7.92mm (.118 to .312") Pitch

D

CATALOG DRAWING (FOR REFERENCE ONLY)



RECOMMENDED PCB LAYOUT



ORDERING INFORMATION AND DIMENSIONS

Circuits	Order No.		Dimension	
	Tin	Gold	A	B
2	26-20-2021	26-23-2021	7.92 (.312)	3.96 (.156)
3	26-20-2031	26-23-2031	11.89 (.468)	7.92 (.312)
4	26-20-2041	26-23-2041	15.85 (.624)	11.89 (.468)
5	26-20-2051	26-23-2051	19.81 (.780)	15.85 (.624)
6	26-20-2061	26-23-2061	23.77 (.936)	19.81 (.780)
7	26-20-2071	26-23-2071	27.74 (1.092)	23.77 (.936)
8	26-20-2081	26-23-2081	31.70 (1.248)	27.74 (1.092)
9	26-20-2091	26-23-2091	35.66 (1.404)	31.70 (1.248)
10	26-20-2101	26-23-2101	39.62 (1.560)	35.66 (1.404)

Circuits	Order No.		Dimension	
	Tin	Gold	A	B
11	26-20-2111	26-23-2111	43.59 (1.716)	39.62 (1.560)
12	26-20-2121	26-23-2121	47.55 (1.872)	43.59 (1.716)
13	26-20-2131	26-23-2131	51.51 (2.028)	47.55 (1.872)
14	26-20-2141	26-23-2141	55.47 (2.184)	51.51 (2.028)
15	26-20-2151	26-23-2151	59.44 (2.340)	55.47 (2.184)
16	26-20-2161	26-23-2161	63.40 (2.496)	59.44 (2.340)
17	26-20-2171	26-23-2171	67.36 (2.652)	63.40 (2.496)
18	26-20-2181	26-23-2181	71.32 (2.808)	67.36 (2.652)