

## Features

- 15.6" WXGA (1366 x 768) Fanless TFT LCD Display
- Easy-To-Clean: Multi-Touch Window Design (Two-Point)
- IP-65 Front Bezel & IPx1 Back Chassis
- Anti-Scratch Surface (7H Hardness)
- Smart Card Reader, RF ID, MSR, Skype Phone Support



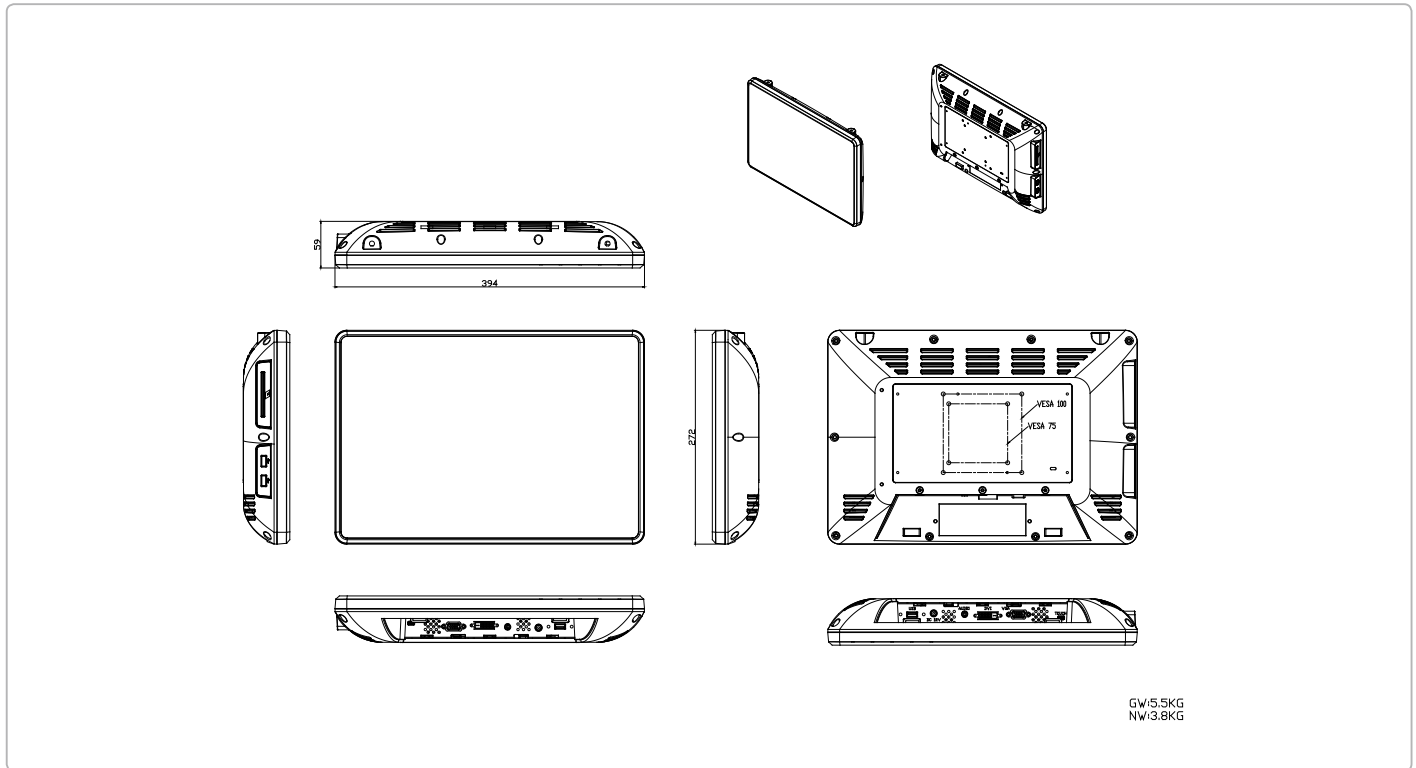
## Specifications

System	
Input Signal	VGA/ DVI
On Screen Display Control	Menu, Auto, LCD On/Off, Up, Down
I/O Connector	USB x 3 (2 on side; 1 on rear), VGA/DVI x 1, Mini-USB x 1 (for T/S), Line-out x 1, 2W speaker x 2
OS Support	Windows® XP (T/S: Single point), Linux Fedora (T/S: Single point), Windows® 7 (T/S: Multi-point)
Mechanical	
Construction	IP-65/ NEMA4 for plastic front bezel, IPx 1 for plastic chassis
Mounting	VESA 75/100
Dimension	15.51" x 10.71" x 2.44" (394mm x 272mm x 62mm)
Carton Dimension	20.47" x 18.5" x 9.06" (520mm x 470mm x 230mm)
Gross Weight	12.1 lb (5.5 kg)
Net Weight	8.8 lb (4 kg)
Environmental	
Operating Temperature	32°F ~ 104°F (0°C ~ 40°C)
Storage Temperature	-4°F ~ 140°F (-20°C ~ 60°C)
Storage Humidity	10%~95% @ 40°C; non-condensing
Vibration	1 g rms/ 5~500Hz/ Random operation
Shock	15 G peak acceleration (11 msec. Duration)
EMC	CE/FCC Class A
Power Supply	
DC Input	DC 12V, w/ AC power adapter w/ lock (in package)
LCD	
Display type	15.6" TFT-LCD, CCFL
Max Resolution	1366x768
Max. Colors	16.7M colors (6/8-bit for R,G,B)
Luminance	300 cd/m <sup>2</sup>
Viewing Angle	170°(H)/160°(V)
Back Light	CCFL
Back Light MTBF (hours)	50,000
Touchscreen	
Type	Projected Capacitive Multi-Touch (Window® 7)
Light Transmission	90%

# ACD-515D

## Dimension

Unit: mm



## Ordering Information

- **ACD-515DHTT-A2-1010**  
15.6" Infotainment Multi-Touch Display

## Optional Accessories

- **1700151806**  
VGA Cable, 180cm
- **1709051000**  
Mini-USB to USB Type A for Touch Screen
- **1700091800**  
DB-9, 180cm, RS-232 For Touch Screen