

Power Factor Correction Coils (Three Phase)

Features

- Used to cancel part of the undesirable capacitive-reactive current due to the line-to-ground capacitors in Power Line Filters operating at 400 Hz power
- Coils are optional for CDEUX,CDEUW, CDEUL, TECUL, CDSUW and CDSUX filters

Electrical Characteristics

Voltage Rating:

120/208 VAC/400 Hz

Temperature Rise:

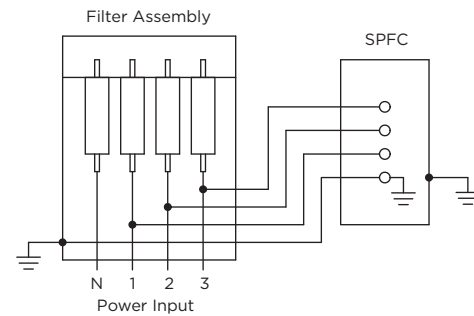
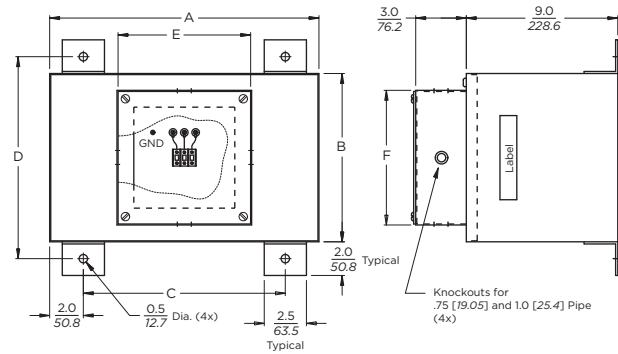
Case temperature rise shall not exceed 35°C when operating at an ambient temperature of 25°C

Materials

Unit Case:

- #16GA min. steel
- All surfaces painted

Power factor correction coils are also available for single phase products. Contact Product Engineering at 847-573-6517



Part Nos.	Catalog No.	Dimensions ±0.06 [1.52]						Current per Phase	Used For
		A	B	C	D	E	F		
1609206-2	SPFC301	16.0 406.4	10.0 254.0	12.0 304.8	12.0 304.8	8.0 203.2	8.0 203.2	12A	CDEUL, TECUL, CDEUX CDEUW, CDSUW, CDSUX *****030A4
1609206-4	SPFC302	18.0 457.2	11.0 279.4	14.0 355.6	13.0 330.2	8.0 203.2	8.0 203.2	24A	CDEUL, TECUL, CDEUX CDEUW, CDSUW, CDSUX *****060A4
1609206-6	SPFC303	18.0 457.2	16.0 406.4	14.0 355.6	18.0 457.2	14.0 355.6	12.0 304.8	36A	CDEUL, TECUL, CDEUX CDEUW, CDSUW, CDSUX *****100A4
1609206-7	SPFC304	20.0 508.0	20.0 508.0	16.0 406.4	22.0 558.8	14.0 355.6	12.0 304.8	48A	CDEUL, TECUL, CDEUX CDEUW, CDSUW, CDSUX *****225A4