

**PLEASE CHECK WWW.MOLEX.COM FOR LATEST PART INFORMATION**

**Part Number:** [0671550001](#)  
**Status:** **Active**  
**Description:** 1.27mm (.050") Pitch CF Card Header - Low Profile, Right Angle, SMT Bottom Mount for Type II Card, Tray Packaging

**Documents:**

[3D Model](#) [Product Specification PS-67155-003 \(PDF\)](#)  
[Drawing \(PDF\)](#) [RoHS Certificate of Compliance \(PDF\)](#)

**Agency Certification**

UL E29179

**General**

Product Family Memory Card Sockets  
 Series [67155](#)  
 Button Type N/A  
 Component Type Header/Socket (Host)  
 Product Name CompactFlash  
 Type II

**Physical**

Card Detection Switch N/A  
 Circuits (Loaded) 50  
 Circuits (maximum) 50  
 Color - Resin Natural  
 Durability (mating cycles max) 10,000  
 Ejector Button Side No Ejector Button Present  
 Entry Angle 90° Angle (Side Entry)  
 Flammability 94V-0  
 Keying to Mating Part Yes  
 Material - Metal Copper Alloy  
 Material - Plating Mating Gold  
 Material - Plating Termination Tin  
 Material - Resin High Temperature Thermoplastic  
 PCB Locator Yes  
 PCB Mounting Side Reverse  
 PCB Retention Yes  
 Packaging Type Tray  
 Pitch - Mating Interface (in) 0.050 In  
 Pitch - Mating Interface (mm) 1.27 mm  
 Ports 1  
 Temperature Range - Operating -20°C to +90°C  
 Termination Interface: Style Surface Mount

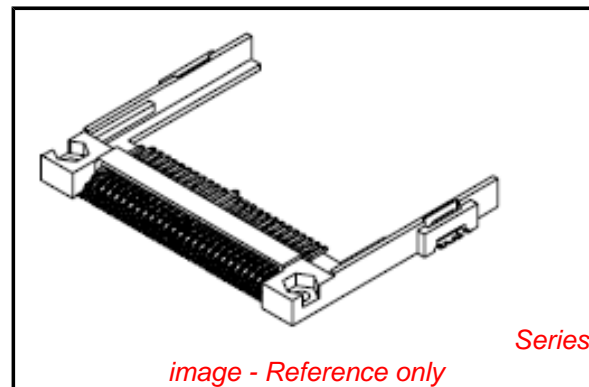
**Electrical**

Current - Maximum per Contact 0.5A  
 Shielded No  
 Voltage - Maximum 500V

**Material Info**

**Reference - Drawing Numbers**

Product Specification PS-67155-003  
 Sales Drawing SD-67155-001



*image - Reference only*

**EU RoHS**

**ELV and RoHS  
 Compliant**  
**REACH SVHC  
 Contains SVHC: No**  
**Halogen-Free  
 Status  
 Not Reviewed**

**China RoHS**



**Need more information on product  
 environmental compliance?**

Email [productcompliance@molex.com](mailto:productcompliance@molex.com)  
 For a multiple part number RoHS Certificate of Compliance, [click here](#)

Please visit the [Contact Us](#) section for any non-product compliance questions.

**Search Parts in this Series**

[67155Series](#)

**Mates With**

[67003](#) , [67114](#) , Industry Standard CF Card

This document was generated on 04/07/2010

**PLEASE CHECK [WWW.MOLEX.COM](http://WWW.MOLEX.COM) FOR LATEST PART INFORMATION**

10 9 8 7 6 5 4 3 2 1

F F

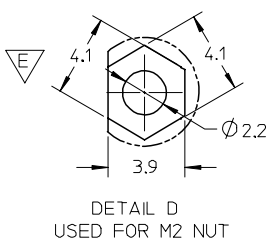
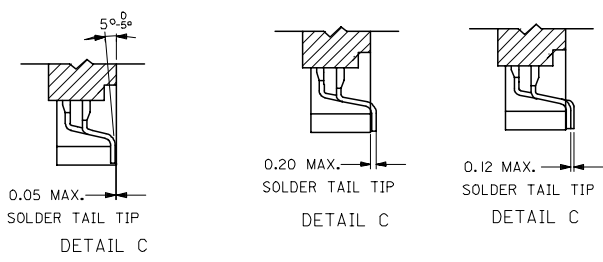
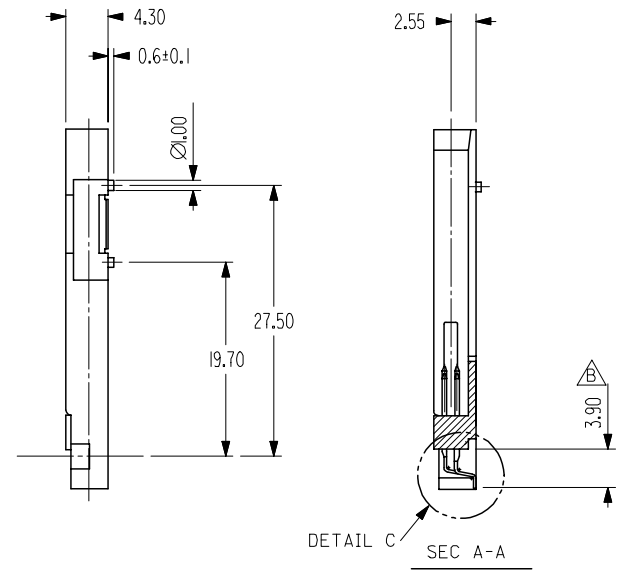
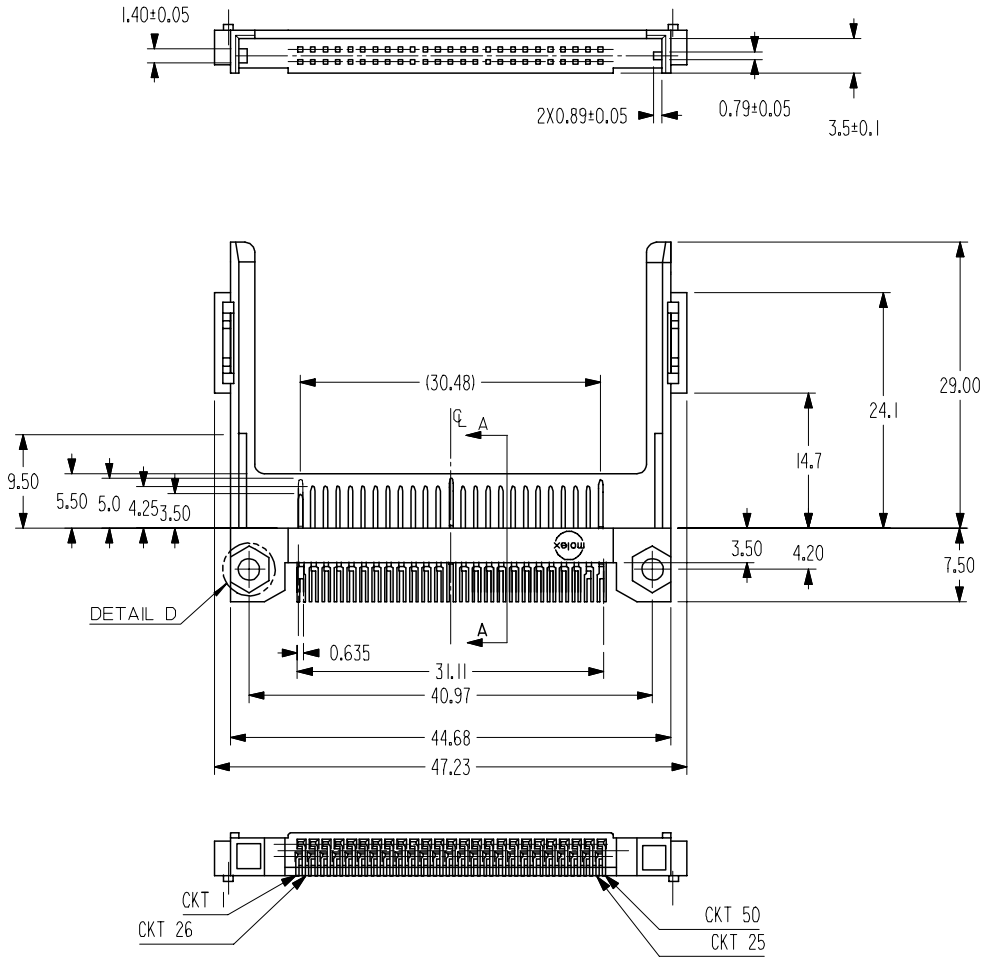
E E

D D

C C

B B

A A

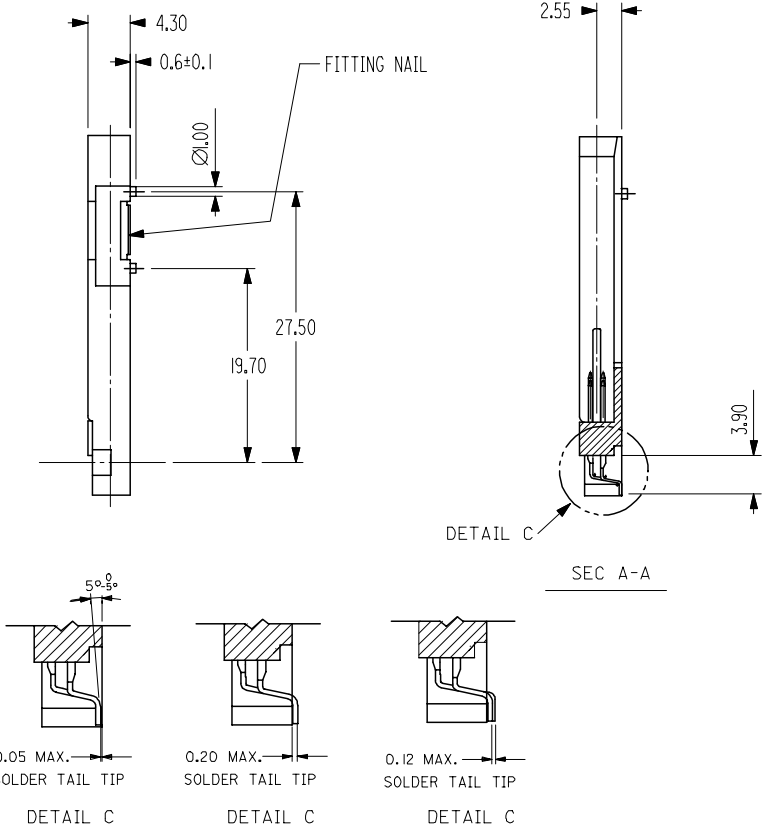
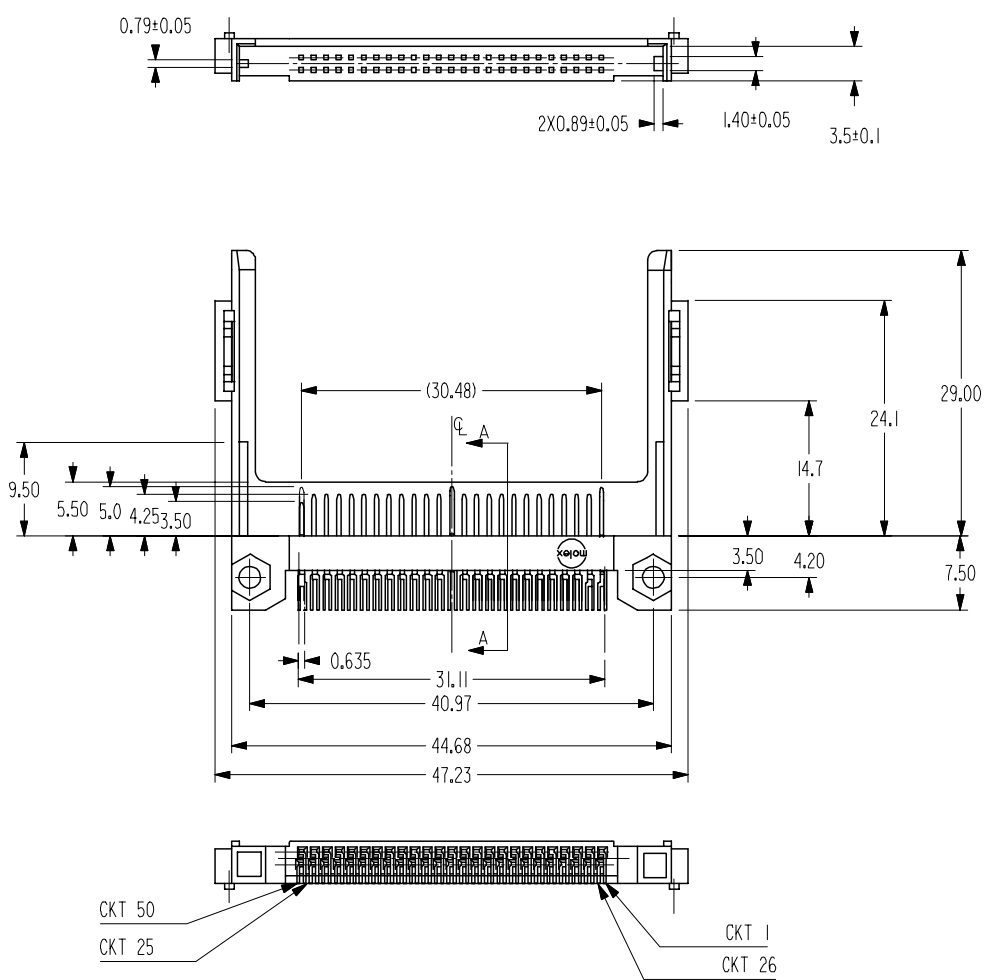


REVISED EC NO: SH2007-0727 DRWN: BCHENZ6 CHKD: JTIAN APPR: INCHEH	DESCRIPTION 2007/04/10 2007/04/11 2007/04/16	QUALITY SYMBOLS	GENERAL TOLERANCES (UNLESS SPECIFIED)	DIMENSION STYLE	SCALE	DESIGN UNITS	THIRD ANGLE PROJECTION	
		$\nabla=0$ $\triangle=0$	mm      INCH	MM ONLY	2:1	METRIC		
		4 PLACES ± --- ± --- 3 PLACES ± --- ± --- 2 PLACES ± 0.15 ± --- 1 PLACE ± 0.15 ± ---	DRAWN BY DATE JACK LIN 1998/08/06 CHECKED BY DATE WALLY WA 1998/08/06 APPROVED BY DATE MEGA LIN 1998/08/06	TITLE	50 CIRCUITS CF LOW PROFILE HEADER			
		ANGULAR ± 2 °	MATERIAL NO. 671550001	DOCUMENT NO. SD-67155-001	MOLEX INCORPORATED SHEET NO. 1 OF 4			
DRAFT WHERE APPLICABLE MUST REMAIN WITHIN DIMENSIONS		SIZE A3	THIS DRAWING CONTAINS INFORMATION THAT IS PROPRIETARY TO MOLEX INCORPORATED AND SHOULD NOT BE USED WITHOUT WRITTEN PERMISSION					

9 8 7 6 5 4 3 2 1

10 9 8 7 6 5 4 3 2 1

F  
E  
D  
C  
B  
A



REVISED	DESCRIPTION
EC NO: SH2007-0727	2007/04/10
DRWN: BCHENZ6	2007/04/11
CHKD: JTIAN	2007/04/11
APPR: JNCHEN	2007/04/16

QUALITY SYMBOLS	DESCRIPTION
▽=0	
▽=0	

GENERAL TOLERANCES (UNLESS SPECIFIED)	mm	INCH
4 PLACES	± ---	± ---
3 PLACES	± ---	± ---
2 PLACES	± 0.15	± ---
1 PLACE	± 0.15	± ---
ANGULAR ± 2 °		
DRAFT WHERE APPLICABLE MUST REMAIN WITHIN DIMENSIONS		

DIMENSION STYLE		SCALE	DESIGN UNITS	THIRD ANGLE PROJECTION
MM ONLY		2:1	METRIC	
DRAWN BY	DATE	TITLE		
JACK LIN	1998/08/06	50 CIRCUITS CF LOW PROFILE HEADER		
CHECKED BY	DATE	MOLEX INCORPORATED		
WALLY WA	1998/08/06	MOLEX INCORPORATED		
APPROVED BY	DATE	DOCUMENT NO.		
MEGA LIN	1998/08/06	SD-67155-001		
MATERIAL NO.		DOCUMENT NO.		SHEET NO.
671550002		SD-67155-001		2 OF 4
SIZE	THIS DRAWING CONTAINS INFORMATION THAT IS PROPRIETARY TO MOLEX INCORPORATED AND SHOULD NOT BE USED WITHOUT WRITTEN PERMISSION			
A3				

9 8 7 6 5 4 3 2 1

10 9 8 7 6 5 4 3 2 1

F

E

D

C

B

A

F

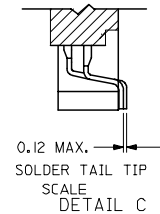
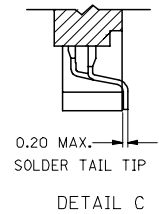
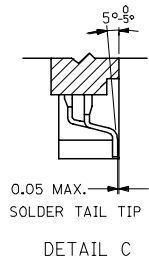
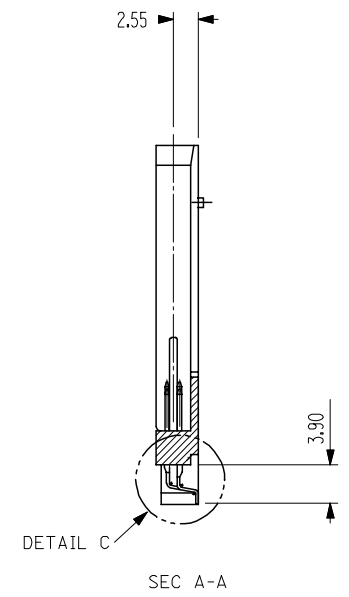
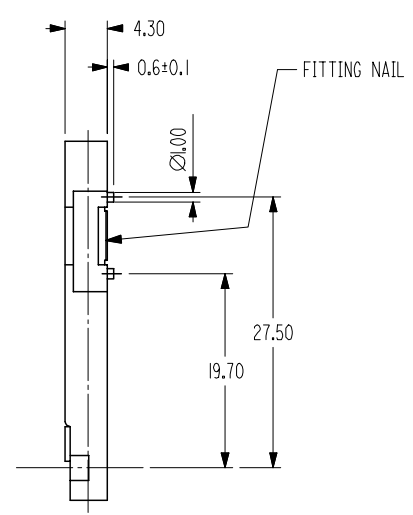
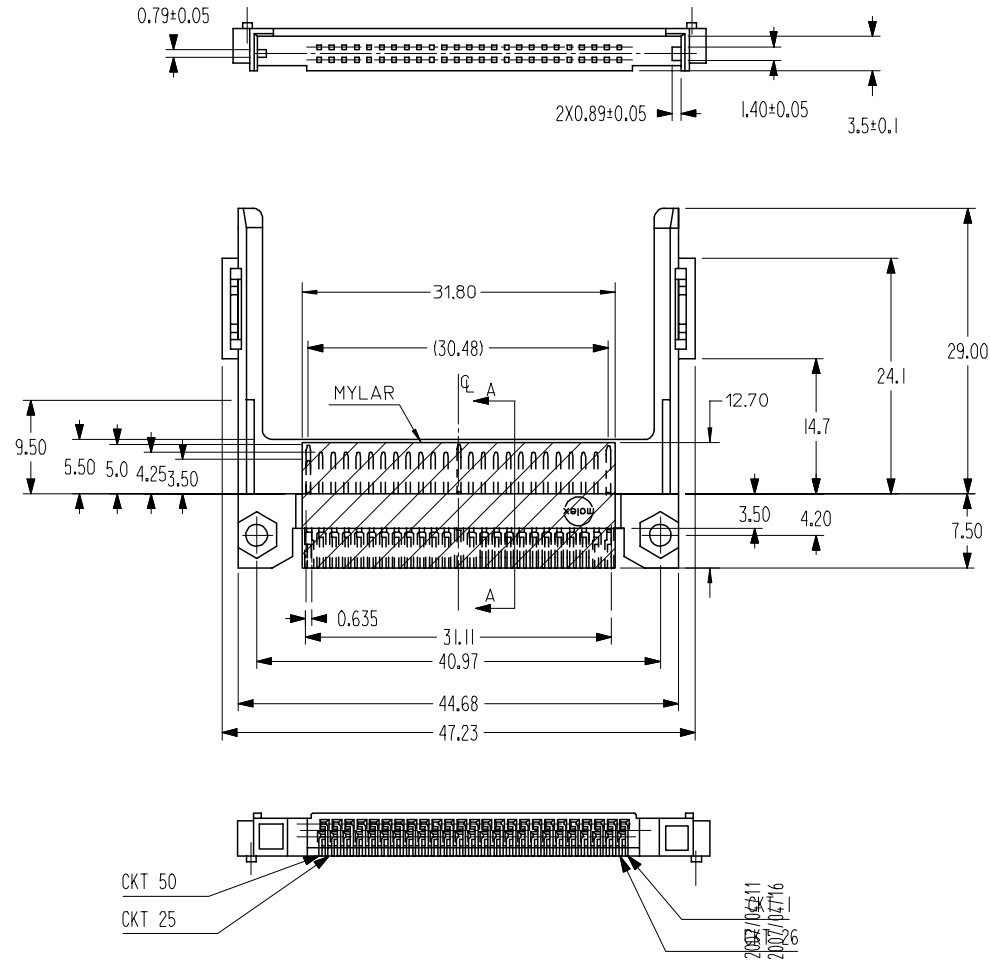
E

D

C

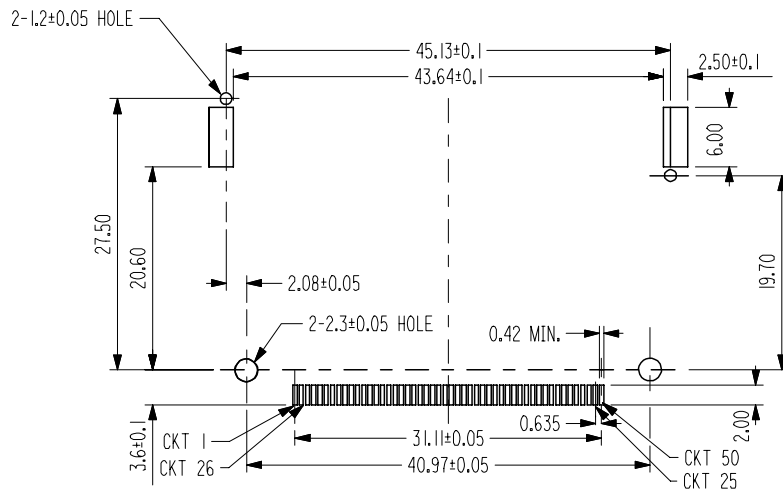
B

A

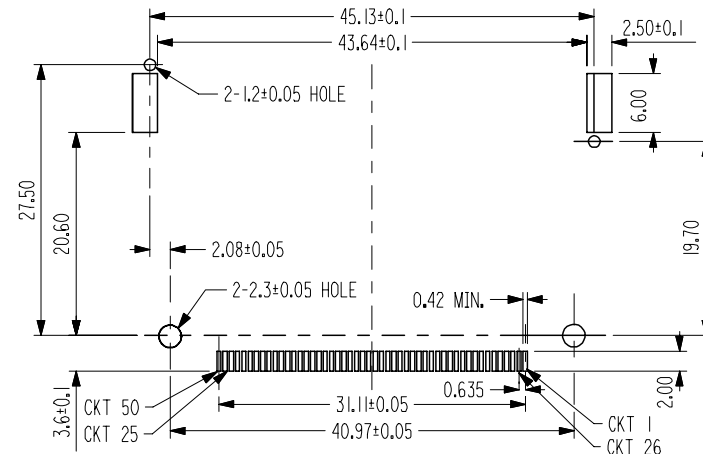


REVISED EC NO: SH2007-0727 DRWN: BCHENZ6 CHKD: JTIAN APPR: JCHEN 2007/04/10 2007/04/11 2007/04/16 2007/04/26	QUALITY SYMBOLS ▽=0 ▽=0	GENERAL TOLERANCES (UNLESS SPECIFIED)		DIMENSION STYLE MM ONLY		2:1 DESIGN UNITS METRIC THIRD ANGLE PROJECTION	TITLE 50 CIRCUITS CF LOW PROFILE HEADER		
								MOLEX INCORPORATED	
									MATERIAL NO. 671550003
		DRAFT WHERE APPLICABLE MUST REMAIN WITHIN DIMENSIONS		SIZE A3		SHEET NO. 3 OF 4			

9 8 7 6 5 4 3 2 1



RECOMMENDED PCB LAYOUT  
REVERSE TYPE



RECOMMENDED PCB LAYOUT  
STANDARD TYPE

NOTES:

- MATERIAL : HOUSING: HIGH TEMP PLASTIC, UL94 V-0, COLOR: IVORY  
TERMINAL: COPPER ALLOY
- PLATING: CONTACT AREA: AU OVER PD-NI  
SOLDERING TAIL: TIN  
NICKEL OVERALL  
FITTING NAIL: TIN  
NICKEL OVERALL
- RECOMMENDED PCB THICKNESS: 0.8MM

- THE COPLANARITY OF SOLDER TAILS SHOULD BE WITHIN 0.12 MM
- FOR PRODUCT SPECIFICATION: REFER TO PS-67155-003

PART NUMBER	DISCRIPTION	PACKAGING
67155-0001	REVERSE TYPE	TYAY PK-67155-001
67155-0002	STANDARD TYPE	
67155-0003	STANDARD TYPE WITH MYLAR	TAPE & REEL PK-67155-002
67155-0004	STANDARD TYPE WITH MYLAR	

REVISED	DESCRIPTION
EC NO: SH2007-0727	
DRWN: BCHENZ6	2007/04/10
CHKD: JTIAN	2007/04/11
APPR: JNCHEN	2007/04/16

QUALITY SYMBOLS	DESCRIPTION
▽=0	
▽C=0	

GENERAL TOLERANCES (UNLESS SPECIFIED)	mm	INCH
4 PLACES	± ---	± ---
3 PLACES	± ---	± ---
2 PLACES	± 0.15	± ---
1 PLACE	± 0.15	± ---
ANGULAR ± 2 °		
DRAFT WHERE APPLICABLE MUST REMAIN WITHIN DIMENSIONS		

DIMENSION STYLE		SCALE	DESIGN UNITS	THIRD ANGLE PROJECTION
MM ONLY		2:1	METRIC	
DRAWN BY	DATE	TITLE		
JACK LIN	1998/08/06	50 CIRCUITS CF LOW PROFILE HEADER		
CHECKED BY	DATE			
WALLY WA	1998/08/06	MOLEX INCORPORATED		
APPROVED BY	DATE			
MEGA LIN	1998/08/06	SD-67155-001		
MATERIAL NO.	DOCUMENT NO.			
		SHEET NO. 4 OF 4		

MOLEX INCORPORATED	
SD-67155-001	SHEET NO. 4 OF 4
THIS DRAWING CONTAINS INFORMATION THAT IS PROPRIETARY TO MOLEX INCORPORATED AND SHOULD NOT BE USED WITHOUT WRITTEN PERMISSION	