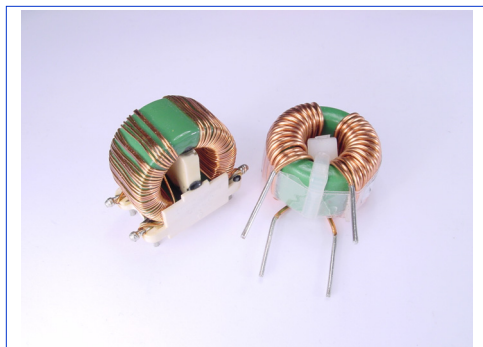


# COMMON MODE CHOKE



## P52TM25 SERIES



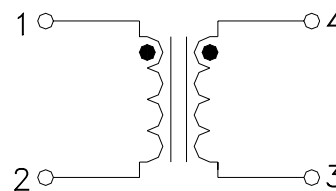
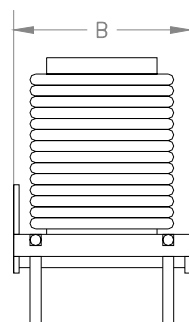
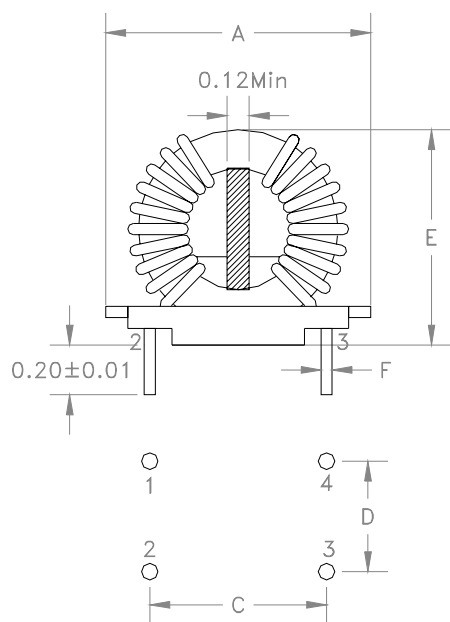
- RoHS Compliant Product
- Operating Temperature: -40°C to +85°C
- Custom design available
- Hipot: 2000V<sub>RMS</sub> (1-2 to 4-3)
- Turns Ratio: 1:1 (1-2 to 4-3)
- Inductance tested @ 1KHz, 0.1V<sub>RMS</sub> (1-2, 4-3)
- Polarity: 1 and 4 are in phase
- Polarity:  $\Delta T$  of 35°C temperature rise at rated I<sub>RMS</sub>

### ELECTRICAL SPECIFICATION @ 25°C

PART NO	L Min (mH)	RATED I <sub>RMS</sub> (A)	DCR Max (mΩ)	DIM A Max	DIM B Max	DIM C ±0.010"	DIM D ±0.010"	DIM E Max	DIM F ±0.005"
P52TM25-402-14.5	4.0	14.50	12	1.70	0.91	1.200	0.700	1.65	0.600
242-17	2.4	17.00	8	1.70	0.91	1.200	0.700	1.65	0.650
102-20	1.0	20.00	7	1.70	0.91	1.200	0.700	1.65	0.650

### Mechanical

### Schematic



#### Dimensions

Unless otherwise specified, all tolerances are:

inch: .XX : ± 0.015    .XX : ±0.004  
mm: X,X : ± 0,38    X,XX : ±0,10

Product performance is limited to specified parameter. Data is subject to change without prior notice.

P52TM25-XXX  
05471W

2463 208th, Ste. 205  
Torrance, CA 90501

Phone: (310)533-1455  
Fax: (310)533-1853

<http://www.mpsind.com>  
Email: [sales@mpsind.com](mailto:sales@mpsind.com)