

LED Indicators

3mm Prominent or Recessed

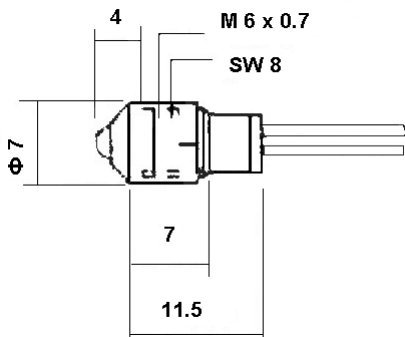


A range of panel mounting LED indicators in high quality bright chrome or black chrome plated brass housings. Fitted with fixing nut and washer.

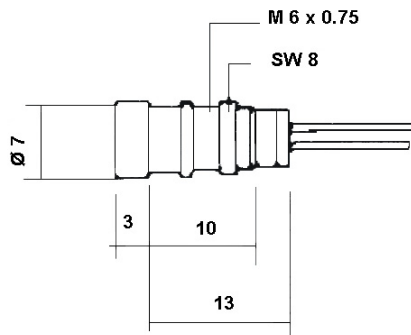
Bezel = 4 x 7 diameter (Prominent), 3 x 7 diameter (Recessed). Total L behind bezel = 11.5 (Prominent) 13.0 (Recessed).

Mounting hole diameter = 6. Shorter lead Cathode.

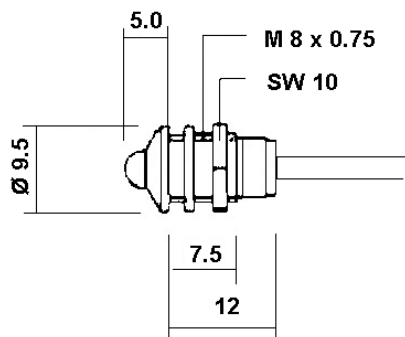
Drawing Number - A



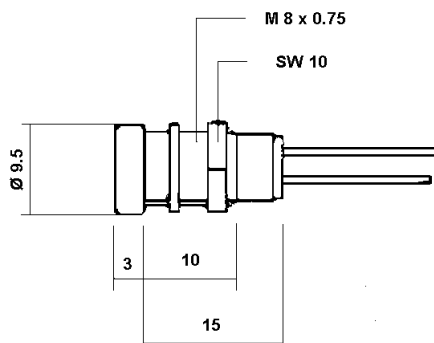
Drawing Number - B



Drawing Number - C



Drawing Number - D



LED Indicators

3mm Prominent or Recessed



Specifications

Colour	Typical Lumination Intensity (mcd) at $I_F = 20\text{mA}$	V_F (typical) (V)	I_F (maximum) (mA)	Refer Drawing	Part Number
HE Red	17.5	2.0-2.6	45	A	MC19020003
Green	27.0				
Yellow	32.0				
Pure Orange	17.5		30		MC19020002
Blue	5.0	3.8-4.4	50		MC19020008
HE Red	15.0	2.0-2.6	45	B	MC19020007
Green	34.0				
Yellow	28.0				
Pure Orange	15.0		30		MC19030003
Blue	6.0	3.8-4.4	50		MC19030001
HE Red	17.5	2.0-2.6	45	A	MC19030002
Green	27.0				
Yellow	32.0				
Pure Orange	17.5		30		MC19030008
Blue	5.0	3.8-4.4	50		MC19030007
HE Red	15.0	2.0-2.6	45	B	MC19021003
Green	34.0				
Yellow	28.0				
Pure Orange	15.0		30		MC19021001
Blue	6.0	3.8-4.4	50		MC19021002
HE Red	17.5	2.0-2.6	45	A	MC19021008
Green	27.0				
Yellow	32.0				
Pure Orange	17.5		30		MC19021007
Blue	5.0	3.8-4.4	50		MC19031003
HE Red	15.0	2.0-2.6	45	B	MC19031001
Green	34.0				
Yellow	28.0				
Pure Orange	15.0		30		MC19031002
Blue	6.0	3.8-4.4	50		MC19031008
HE Red	17.5	2.0-2.6	45	A	MC19031007
Green	27.0				
Yellow	32.0				
Pure Orange	17.5		30		MC19031003
Blue	5.0	3.8-4.4	50		MC19031001

Bezel = 5.0 x 9.5 diameter (Prominent), 3.0 x 9.5 (Recessed). Total L behind bezel = 12.0 (Prominent), 15.0 (Recessed).

Mounting hole diameter = 8.0, Shorter lead cathode.

LED Indicators

3mm Prominent or Recessed



Specifications

Colour	Typical Lumination Intensity (mcd) at $I_F = 20\text{mA}$	V_F (typical) (V)	I_F (maximum) (mA)	Refer Drawing	Part Number
HE Red	20.0	2.0-2.6	45	C	MC19040003
Green	25.0				MC19040001
Yellow			MC19040002		
Pure Orange	20.0		30		MC19040008
Blue	6.0		50		MC19040007
HE Red	27.0	2.0-2.6	45	D	MC19050003
Green	30.0				MC19050001
Yellow	27.0		MC19050002		
Pure Orange			30		MC19050008
Blue	7.0		50		MC1905007
HE Red	20.0	2.0-2.6	45	C	MC19041003
Green	25.0				MC19041001
Yellow			MC19041002		
Pure Orange	20.0		30		MC19041008
Blue	6.0		50		MC19041007
HE Red	27.0	2.0-2.6	45	D	MC19051003
Green	30.0				MC19051001
Yellow	27.0		MC19051002		
Pure Orange			30		MC19051008
Blue	7.0		50		MC19051007

Operating temperature (T_{OP}) : -55°C to +70°C.

Storage temperature (T_{STG}) : -55°C to +100°C.

The Led indicator is available in bright or black chrome reflector. The 7th digit has to be coded with 0 or 1.

Bright chrome = 0

Black chrome = 1

Example : MC19020001 Green with bright chrome.
MC19021000 Green with black chrome.