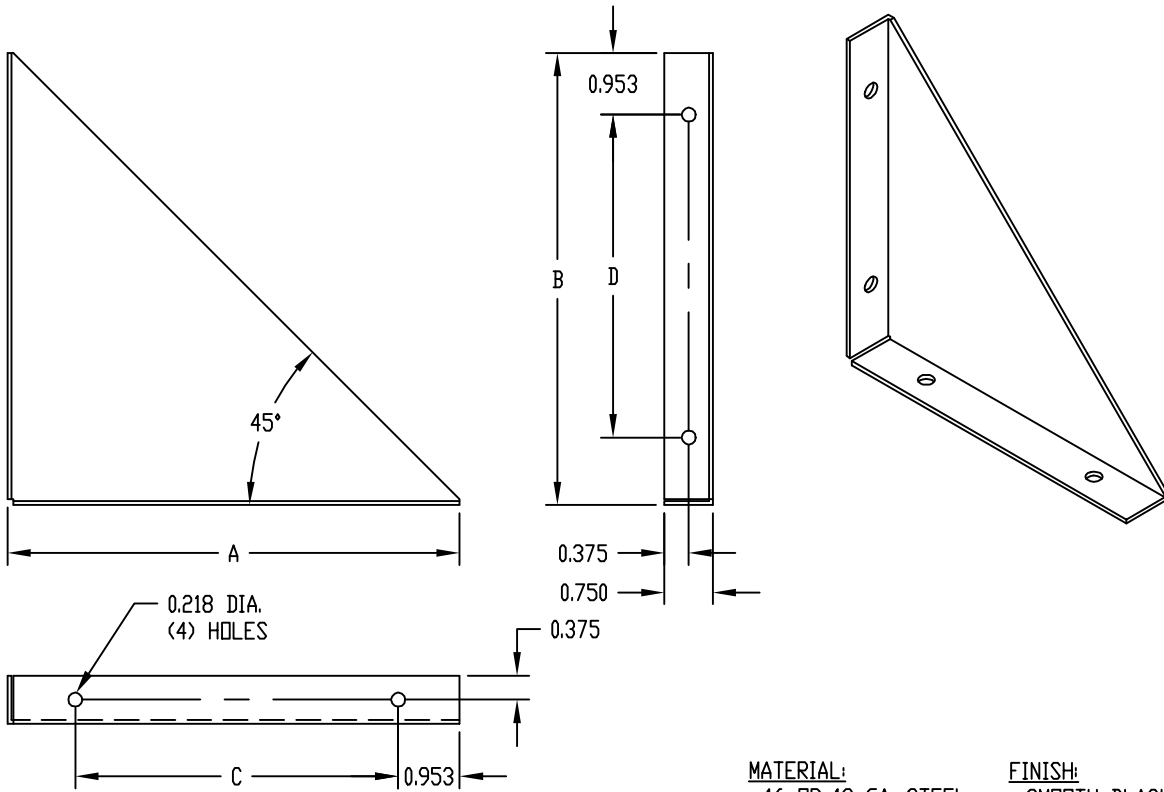


PART NAME

TRIANGULAR MOUNTING BRACKET

PART No.

MB-1266 TO MB-1268



MATERIAL: 16 OR 18 GA. STEEL
FINISH: SMOOTH BLACK

PART No.	A	B	C	D
MB-1266	5.000	5.000	3.000	3.000
MB-1267	7.000	7.000	5.000	5.000
MB-1268	9.000	9.000	7.000	7.000

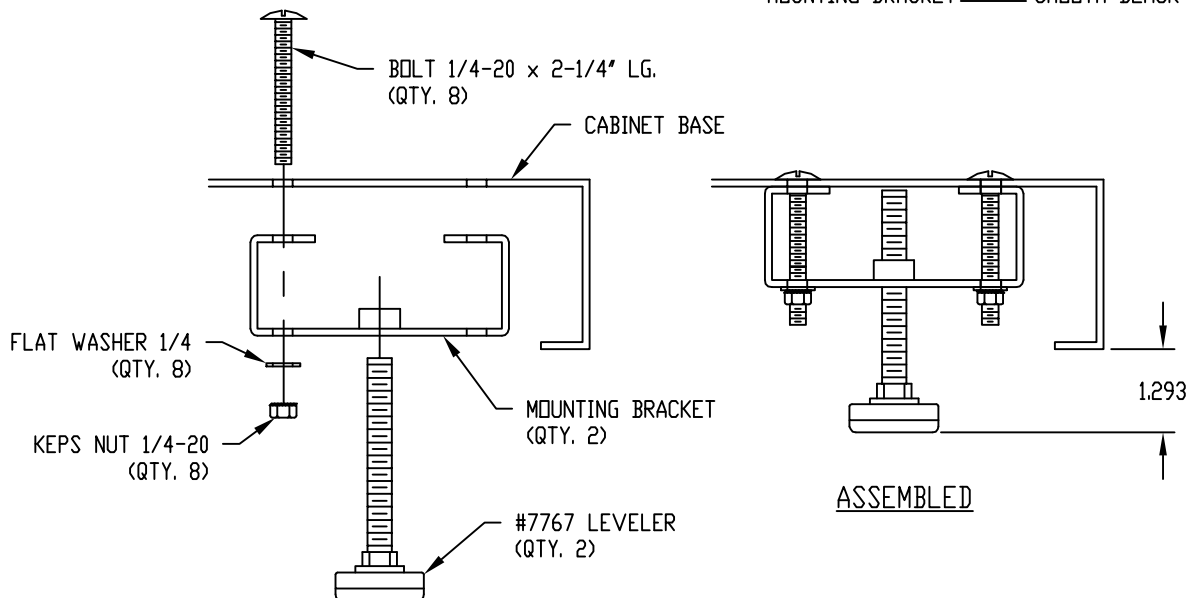
PART NAME

LEVELER KIT

PART No.

RL-7770

MATERIAL:
MOUNTING BRACKET _____ 12 GA. STEEL
FINISH:
MOUNTING BRACKET _____ SMOOTH BLACK



ASSEMBLED