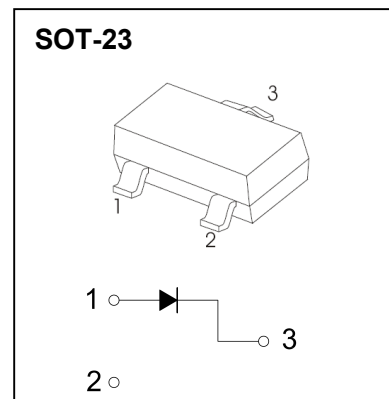


**SCHOTTKY BARRIER DIODE**
**FEATURES**

- High Switching Speed
- Low Forward Voltage
- Guard Ring Protected

**APPLICATIONS**

- Voltage Clamping
- Protection Circuits


**MARKING: L61**
**MAXIMUM RATINGS (  $T_a=25^{\circ}\text{C}$  unless otherwise noted )**

Symbol	Parameter	Value	Unit
$V_R$	DC Blocking Voltage	40	V
$I_O$	Continuous Forward Current	500	mA
$I_{FSM}$	Non-repetitive peak Forward Current @ $t_p < 10\text{ms}$	2	A
$P_D$	Power Dissipation	350	mW
$R_{\theta JA}$	Thermal Resistance from Junction to Ambient	286	$^{\circ}\text{C}/\text{W}$
$T_j$	Junction Temperature	125	$^{\circ}\text{C}$
$T_{stg}$	Storage Temperature	-55~+150	$^{\circ}\text{C}$

**ELECTRICAL CHARACTERISTICS( $T_a=25^{\circ}\text{C}$  unless otherwise specified)**

Parameter	Symbol	Test conditions	Min	Typ	Max	Unit
Reverse voltage	$V_{(BR)}$	$I_R=100\mu\text{A}$	40			V
Reverse current	$I_R$	$V_R=35\text{V}$			100	$\mu\text{A}$
Forward voltage	$V_F$	$I_F=500\text{mA}$			550	mV