

Dialight

87 SERIES

18" Thinline Center High Mount Stop Lamp



FEATURES / BENEFITS

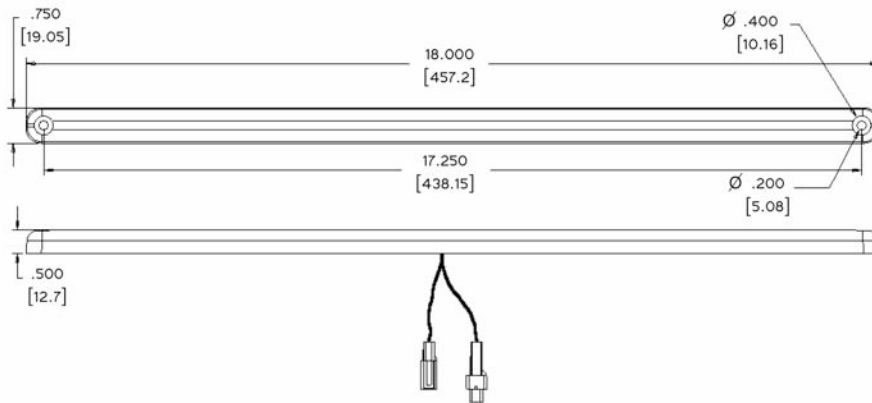
- ▲ Low profile for surface mounting
- ▲ Ultra thin form factor fits below or beside most rear window
- ▲ Qualified for CHMSL and HMSL applications
- ▲ Can be mounted horizontally or vertically
- ▲ Unique potted design assures seal integrity
- ▲ Polycarbonate lens
- ▲ Lens Hard coated for abrasion and chemical protection
- ▲ Reduced current draw
- ▲ Foam Sealing gasket attached to lamp

APPLICATION

The 87 series LED Center High Mount Stop Lamp (CHMSL) / High Mount Stop Lamp (HMSL) was developed by Dialight for bus applications. The unique low profile design allows for mounting directly on the surface of the vehicle thus eliminating the costly expense of forming a recessed pocket in the vehicle shell. These lamps were designed to conform to all of the FMVSS requirements for both existing and new vehicle designs for CHMSL and HMSL applications.

The 87 series lamps use Dialight's unique durable potted construction which results in a superior lamp seal. The use of integral wiring results in fewer interconnections between the lamp and the vehicle harness.

SPECIFICATIONS



Part Number	Description	Typical Power Ratings
87121RB	12.8Volt Stop Lamp	290 mAmps @ 12.8 Volts DC



Dialight Corporation

1501 Route 34 South • Farmingdale, NJ 07727 USA

Tel: (1) 732-919-3119 • Fax: (1) 732-751-5778 • www.dialight.com

