

PLEASE CHECK WWW.MOLEX.COM FOR LATEST PART INFORMATION

Part Number: **0474081201**
Status: **Active**
Overview: high definition multimedia interface hdmi
Description: 0.50mm (.020") Pitch HDMI* Receptacle, Right Angle, Reverse, without Dimple, with Mylar, Gold (Au) Flash Plating, Matte Tin Plating on Shell, 19 Circuits, Lead free

Documents:

[3D Model](#) [RoHS Certificate of Compliance \(PDF\)](#)
[Drawing \(PDF\)](#)

General

Product Family	I/O Connectors
Series	<u>47408</u>
Application	Wire-to-Board
Component Type	Receptacle
Overview	<u>high definition multimedia interface hdmi</u>
Product Name	HDMI
Type	N/A

Physical

Boot Color	N/A
Circuits (Loaded)	19
Circuits (maximum)	19
Color - Resin	Black
Gender	Male
Keying to Mating Part	Yes
Lock to Mating Part	Yes
Material - Metal	Brass
Material - Plating Mating	Gold
Material - Plating Termination	Tin-Bismuth
Material - Resin	High Temperature Thermoplastic
Number of Rows	2
Orientation	Right Angle
PCB Locator	Yes
PCB Retention	Yes
Packaging Type	Embossed Tape on Reel
Panel Mount	No
Pitch - Mating Interface (in)	0.020 In
Pitch - Mating Interface (mm)	0.50 mm
Pitch - Term. Interface (in)	0.020 In
Pitch - Term. Interface (mm)	0.50 mm
Plating min: Mating (µin)	2
Plating min: Mating (µm)	0.05
Plating min: Termination (µin)	40
Plating min: Termination (µm)	1
Polarized to Mating Part	Yes
Polarized to PCB	Yes
Ports	1
Temperature Range - Operating	-20°C to +85°C
Termination Interface: Style	Surface Mount
Waterproof / Dustproof	No
Wire Size AWG	N/A

Electrical

Current - Maximum per Contact	0.5A
Shield Type	Full Shield

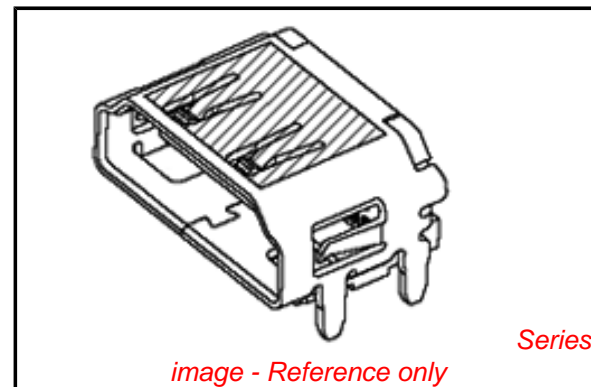


image - Reference only

EU RoHS

**ELV and RoHS
Compliant**
REACH SVHC
 Not Reviewed
**Halogen-Free
Status**

China RoHS



**Need more information on product
environmental compliance?**

Email productcompliance@molex.com
 For a multiple part number RoHS Certificate of Compliance, [click here](#)

Please visit the [Contact Us](#) section for any non-product compliance questions.

Search Parts in this Series

47408Series

Mates With

HDMI Cables

Shielded	Yes
Voltage - Maximum	40V DC

Material Info

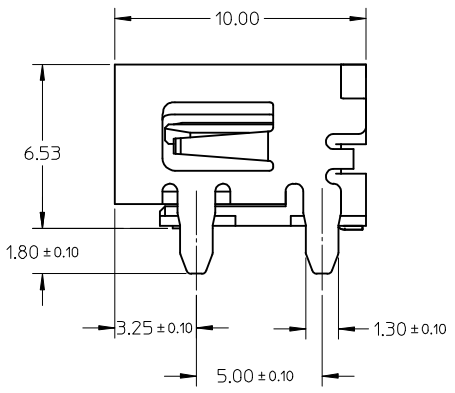
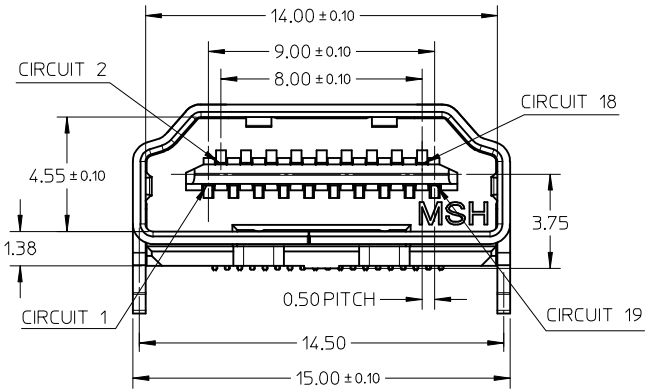
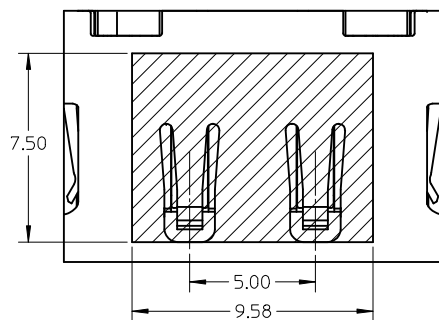
Reference - Drawing Numbers

Packaging Specification	PK-47408-001
Sales Drawing	SD-47408-001

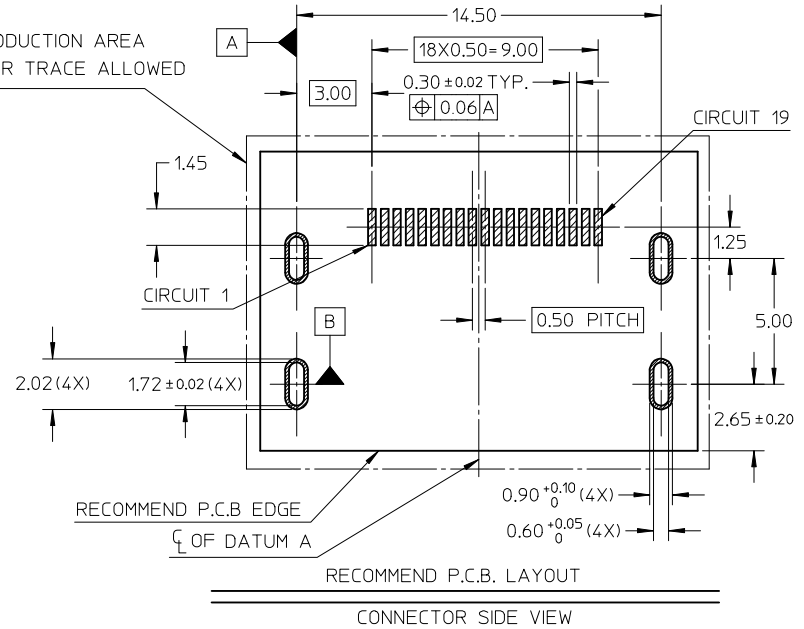
* High Definition Multimedia Interface and HDMI are trademarks of HDMI Licensing, LLC.

This document was generated on 05/19/2010

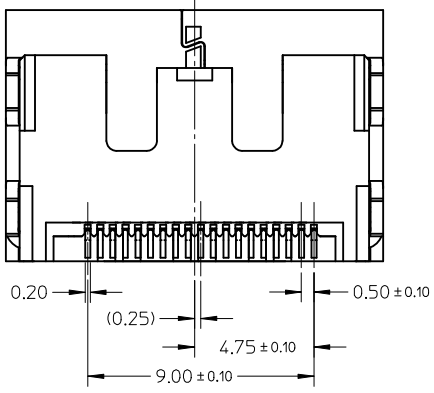
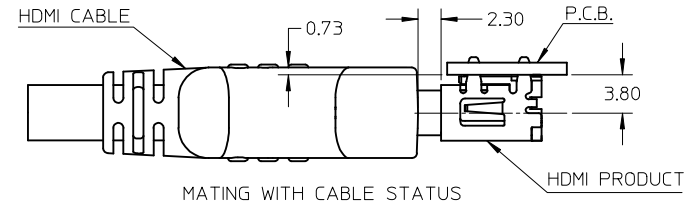
PLEASE CHECK WWW.MOLEX.COM FOR LATEST PART INFORMATION



HDMI PRODUCTION AREA
NO OTHER TRACE ALLOWED

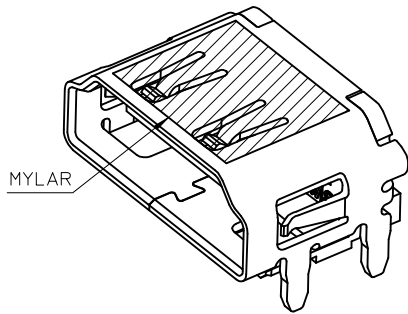


- NOTES:
1. P.C.B. THICKNESS: 1.20 ± 0.05mm.
2. TOLERANCE OF UNSPECIFIED DIMENSIONS ARE ± 0.05mm

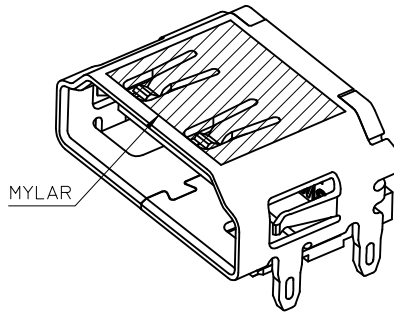


REVISED EC NO: SH2009-0145 DRWN: CWTANG CHKD: XJSONG APPR: HWANG	2008/09/08 2008/09/10 2008/09/18	DESCRIPTION REV	QUALITY SYMBOLS	GENERAL TOLERANCES (UNLESS SPECIFIED)	DIMENSION STYLE	SCALE	DESIGN UNITS	THIRD ANGLE PROJECTION	
			$\nabla=0$ $\nabla C=0$	mm INCH 4 PLACES ± --- ± --- 3 PLACES ± --- ± --- 2 PLACES ± 0.25 ± --- 1 PLACE ± --- ± --- ANGULAR ± 3 °	MM ONLY	10:1	METRIC	TITLE 1.0 HDMI RIGHT ANGLE HEADER ASSEMBLY(19 PIN) REVERSE LEAD FREE	
			DRAFT WHERE APPLICABLE MUST REMAIN WITHIN DIMENSIONS	DRAWN BY TXUE DATE 2006/02/13	CHECKED BY JTIAN DATE 2006/02/13	APPROVED BY GRMA DATE 2006/02/13	MATERIAL NO. SEE SHEET 2	MOLEX INCORPORATED DOCUMENT NO. SD-47408-001	SHEET NO. 1 OF 2
			THIS DRAWING CONTAINS INFORMATION THAT IS PROPRIETARY TO MOLEX INCORPORATED AND SHOULD NOT BE USED WITHOUT WRITTEN PERMISSION						

10	9	8	7	6	5	4	3	2	1
PART NO.	PLATING TYPE IN CONTACT AREA		PLATING TYPE ON SHELL	DIMPLE	REMARK				
474080001	GOLD PLATING 0.76 MICROMETER AND GOLD FASH		MATTE TIN	W/O	W/O MYLAR	NOTES: 1. MATERIAL: HOUSING: HIGH TEMPERATURE THERMAL PLASTIC. SHELL: COPPER ALLOY. TERMINAL: COPPER ALLOY. 2. PLATING: TERMINAL: CONTACT AREA: SEE TABLE. SOLDER AREA: 1 MICROMETER MIN. TIN ALLOY PLATED. UNDER PLATE: 1.27 MICROMETER MIN. NICKEL. SHELL: 1.27 MICROMETER MIN. MATTE TIN AND NICKEL PLATE OVERALL. 3. COPLANARITY IS 0.1MM MAX. 4. PRODUCT SPECIFICATION REFER TO PS-47152-001. 5. COMPLIANT TO RoHS DIRECTIVE 2002/95/EC AND ELV DIRECTIVE 2000/53/EC.			
474080101	GOLD PLATING 0.25 MICROMETER								
474080201	GOLD FLASH								
474081001	GOLD PLATING 0.76 MICROMETER AND GOLD FASH								
474081101	GOLD PLATING 0.25 MICROMETER								
474081201	GOLD FLASH								
474080011	GOLD PLATING 0.76 MICROMETER AND GOLD FASH			WITH	W/O MYLAR				
474080111	GOLD PLATING 0.25 MICROMETER								
474080211	GOLD FLASH								
474081011	GOLD PLATING 0.76 MICROMETER AND GOLD FASH								
474081111	GOLD PLATING 0.25 MICROMETER								
474081211	GOLD FLASH		SOLDERABLE NICKEL	W/O	W/O MYLAR				
474082001	GOLD PLATING 0.76 MICROMETER AND GOLD FASH								
474082101	GOLD PLATING 0.25 MICROMETER								
474082201	GOLD FLASH								
474083001	GOLD PLATING 0.76 MICROMETER AND GOLD FASH								
474083101	GOLD PLATING 0.25 MICROMETER			WITH	W/O MYLAR				
474083201	GOLD FLASH								
474082011	GOLD PLATING 0.76 MICROMETER AND GOLD FASH								
474082111	GOLD PLATING 0.25 MICROMETER								
474082211	GOLD FLASH								
474083011	GOLD PLATING 0.76 MICROMETER AND GOLD FASH		WITH MYLAR						
474083111	GOLD PLATING 0.25 MICROMETER								
474083211	GOLD FLASH								



WITHOUT DIMPLE



WITH DIMPLE

REVISED EC NO: SH2009-0145 DRWN: CWTANG CHKD: XJSONG APPR: HWANG	2008/09/08 2008/09/10 2008/09/18	DESCRIPTION REV	QUALITY SYMBOLS	GENERAL TOLERANCES (UNLESS SPECIFIED)	DIMENSION STYLE	SCALE	DESIGN UNITS	THIRD ANGLE PROJECTION															
			$\nabla=0$ $\square=0$	<table border="1"> <tr> <th></th> <th>mm</th> <th>INCH</th> </tr> <tr> <td>4 PLACES</td> <td>± ---</td> <td>± ---</td> </tr> <tr> <td>3 PLACES</td> <td>± ---</td> <td>± ---</td> </tr> <tr> <td>2 PLACES</td> <td>± 0.25</td> <td>± ---</td> </tr> <tr> <td>1 PLACE</td> <td>± ---</td> <td>± ---</td> </tr> </table>		mm	INCH	4 PLACES	± ---	± ---	3 PLACES	± ---	± ---	2 PLACES	± 0.25	± ---	1 PLACE	± ---	± ---	MM ONLY	10:1	METRIC	
				mm	INCH																		
			4 PLACES	± ---	± ---																		
3 PLACES	± ---	± ---																					
2 PLACES	± 0.25	± ---																					
1 PLACE	± ---	± ---																					
	<table border="1"> <tr> <th>DRAWN BY</th> <th>DATE</th> <th>TITLE</th> </tr> <tr> <td>TXUE</td> <td>2006/02/13</td> <td rowspan="3">1.0 HDMI RIGHT ANGLE HEADER ASSEMBLY(19 PIN) REVERSE LEAD FREE</td> </tr> <tr> <th>CHECKED BY</th> <th>DATE</th> </tr> <tr> <td>JTIAN</td> <td>2006/02/13</td> </tr> </table>	DRAWN BY	DATE	TITLE	TXUE	2006/02/13	1.0 HDMI RIGHT ANGLE HEADER ASSEMBLY(19 PIN) REVERSE LEAD FREE	CHECKED BY	DATE	JTIAN	2006/02/13	<table border="1"> <tr> <th>APPROVED BY</th> <th>DATE</th> </tr> <tr> <td>GRMA</td> <td>2006/02/13</td> </tr> </table>	APPROVED BY	DATE	GRMA	2006/02/13	MOLEX INCORPORATED						
DRAWN BY	DATE	TITLE																					
TXUE	2006/02/13	1.0 HDMI RIGHT ANGLE HEADER ASSEMBLY(19 PIN) REVERSE LEAD FREE																					
CHECKED BY	DATE																						
JTIAN	2006/02/13																						
APPROVED BY	DATE																						
GRMA	2006/02/13																						
	DRAFT WHERE APPLICABLE MUST REMAIN WITHIN DIMENSIONS	SEE TABLE	MATERIAL NO.	DOCUMENT NO.	SHEET NO.																		