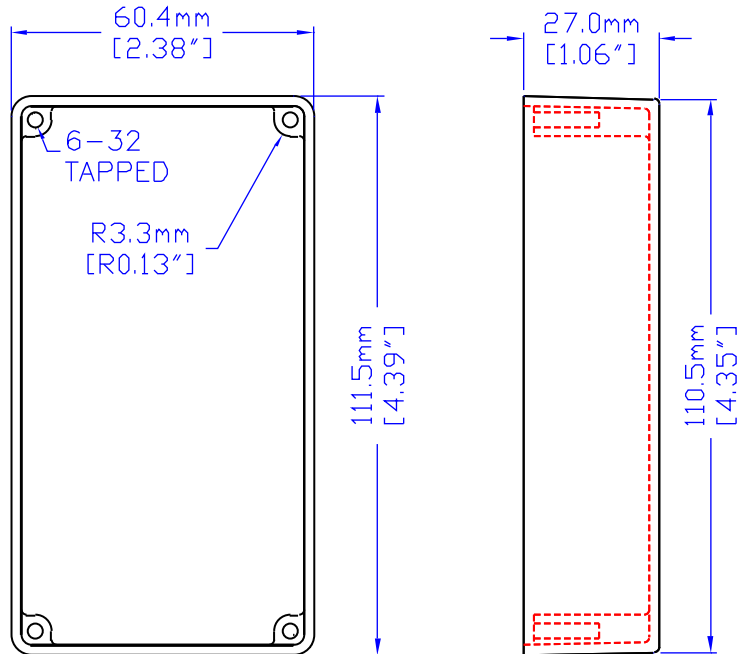


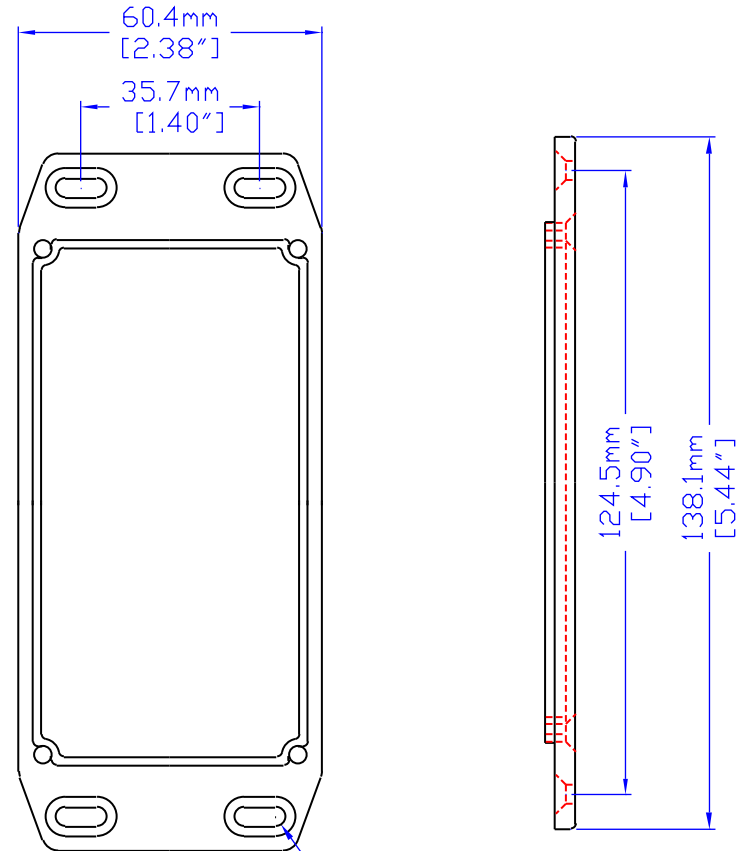
NOTES

MATERIAL: -DIECAST ALUMINUM ALLOY.
-FOUR 6-32 Phillips SCREWS.

VIEW OF BOX (LID REMOVED)



VIEW INSIDE LID



NOTE:
FOR DETAIL DIMENSIONING
REFER TO DRAWING
1590B

AVAILABLE FROM STOCK.

Waterproof enclosure is available from stock. Part number 1590WBFL (Silicone seal, SS screws) The enclosure will afford protection to NEMA 4 and IP 65 levels.

Black and Grey textured powder coat finish are stock.



HAMMOND MANUFACTURING

1590BFL

CANADA - PH (519) 886 7170 - FAX (519) 886 8311
U.S.A. - PH (716) 631 5700 - FAX (716) 631 1156