

PLEASE CHECK WWW.MOLEX.COM FOR LATEST PART INFORMATION

Part Number: [0685610021](#)
Status: **Active**
Overview: [serial ata products](#)
Description: 1.27mm (.050") Pitch Serial ATA Power Latching Harness-to-Pigtail, IDT, 1.50m (4.92') Length, 0.76µm (30µ") Gold (Au), 5V+12V, Leadfree

Documents:

[Drawing \(PDF\)](#) [RoHS Certificate of Compliance \(PDF\)](#)

General

| | |
|------------------------|-------------------------------------|
| Product Family | Cable Assemblies |
| Series | 68561 |
| Connector to Connector | Serial ATA-to-Pigtail |
| Overview | serial ata products |
| Product Name | Serial ATA |

Physical

| | |
|--------------------------------|-----------------|
| Cable Length | 1.50m (4.92') |
| Circuits (Loaded) | 4 |
| Gender | Female-Pigtail |
| Lock to Mating Part | Yes |
| Material - Metal | Stainless Steel |
| Material - Plating Mating | Gold |
| Material - Plating Termination | Tin |
| Packaging Type | Bag |
| Pitch - Mating Interface (in) | 0.050 In |
| Pitch - Mating Interface (mm) | 1.27 mm |
| Plating min: Mating (µin) | 30.4 |
| Plating min: Mating (µm) | 0.76 |
| Plating min: Termination (µin) | 75 |
| Plating min: Termination (µm) | 1.875 |
| Single Ended | Yes |
| Termination Interface: Style | IDT or Pierce |
| Wire Insulation Diameter | N/A |
| Wire Size AWG | 18 |
| Wire/Cable Type | PVC |

Electrical

| | |
|-------------------------------|----------|
| Current - Maximum per Contact | 1.5A |
| Impedance | 100 ohms |
| Shielded | No |
| Voltage - Maximum | 40V |

Material Info

Reference - Drawing Numbers

| | |
|---------------|--------------|
| Sales Drawing | SD-68561-004 |
|---------------|--------------|

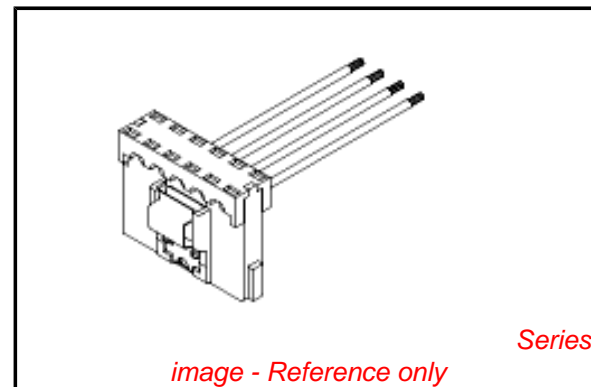


image - Reference only

EU RoHS

**ELV and RoHS
Compliant**
REACH SVHC
 Not Reviewed
**Halogen-Free
Status**

China RoHS



**Need more information on product
environmental compliance?**

Email productcompliance@molex.com
 For a multiple part number RoHS Certificate of Compliance, [click here](#)

Please visit the [Contact Us](#) section for any non-product compliance questions.

Search Parts in this Series
[68561Series](#)

7 6 5 4 3 2 1

E

E

D

D

C

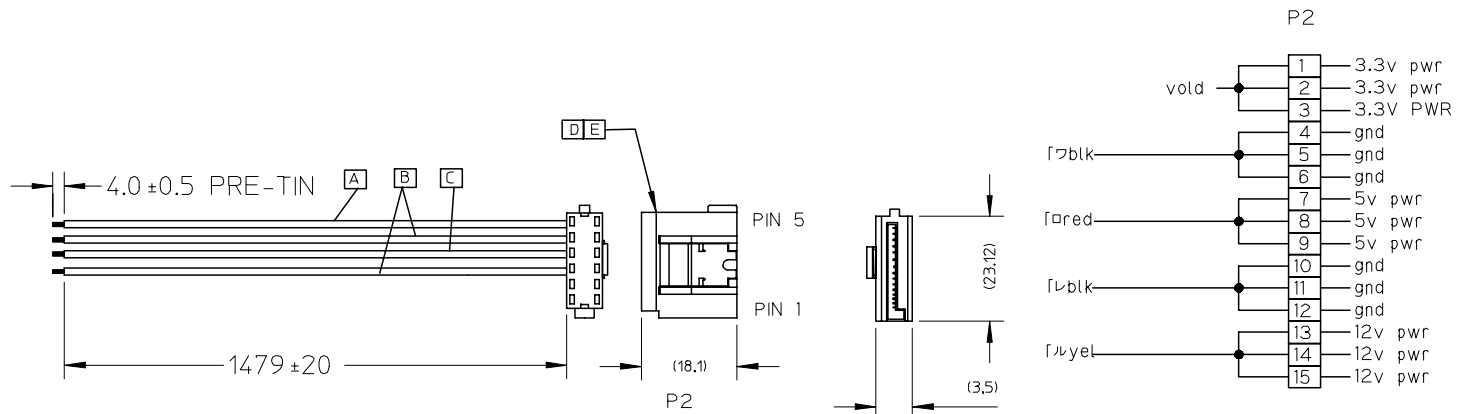
C

B

B

A

A



NOTE: 1. ELECTRIC PERFORMANCE:
 DIELECTRIC STRENGTH: 500 V DC.
 INSULATION RESISTANCE :100M OHMS MIN.
 CONDUCTIVE RESISTANCE:2 OHMS MAX.
 2.S-ATA HOUSING:
 POLYESTER(PBT), UL94V-0(BLACK)

| | | |
|-------------|-------------|-----------------------------|
| 68561-0021 | 679260002 | 30u' Gold - plated terminal |
| 68561-0020 | 679260001 | Gold flash terminal |
| MATERIAL NO | S-ATA CONN. | DESCRIPTION |

| | | | |
|------|--------------------------|-----|-------|
| E | COVER 679260040 | 1 | |
| D | S-ATA CONN. : SEE TABLE | 1 | |
| C | UL1007 #18 RED 887711301 | 1 | 1485 |
| B | UL1007 #18 BLK 887711300 | 2 | 2970 |
| A | UL1007 #18 YEL 887711303 | 1 | 1485 |
| ITEM | DESCRIPTION | QTY | L(mm) |

| | | | | | |
|--|--|---|--|--|--|
| ENTER DESCRIPTION EC NO: DG2005-0009 DRWN:GXYANG 2004/08/11 CHKD: 2004/08/18 APPR:BOCHEN 2004/08/18 REV | QUALITY SYMBOLS ▽=0 ◻=0 | GENERAL TOLERANCES (UNLESS SPECIFIED) mm INCH 4 PLACES ± --- ± --- 3 PLACES ± --- ± --- 2 PLACES ± --- ± --- 1 PLACE ± --- ± --- ANGULAR ± ---° | DIMENSION STYLE MM ONLY DRAWN BY DATE GXYANG 04/08/10 CHECKED BY DATE TEDDY 04/08/10 APPROVED BY DATE BORON 04/08/10 MATERIAL NO. 685610020/1 | SCALE --- DESIGN UNITS METRIC THIRD ANGLE PROJECTION | TITLE S-ATA IDT POWER LATCHING TO PIGTAIL CABLE ASSEMBLY 1.5M (5V+12V) MOLEX INCORPORATED DOCUMENT NO. SD-68561-004 SHEET NO. 1 OF 1 |
| | DRAFT WHERE APPLICABLE MUST REMAIN WITHIN DIMENSIONS | | THIS DRAWING CONTAINS INFORMATION THAT IS PROPRIETARY TO MOLEX INCORPORATED AND SHOULD NOT BE USED WITHOUT WRITTEN PERMISSION | | |
| | | | | | |
| | | | | | |

6

5

4

3

2

1