

24-bit, 192kHz 8-Channel Input Stereo Codec

DESCRIPTION

The WM8774 is a high performance, stereo audio codec with an 8 channel input selector. The WM8774 is ideal for surround sound processing applications for home hi-fi, automotive and other audio visual equipment.

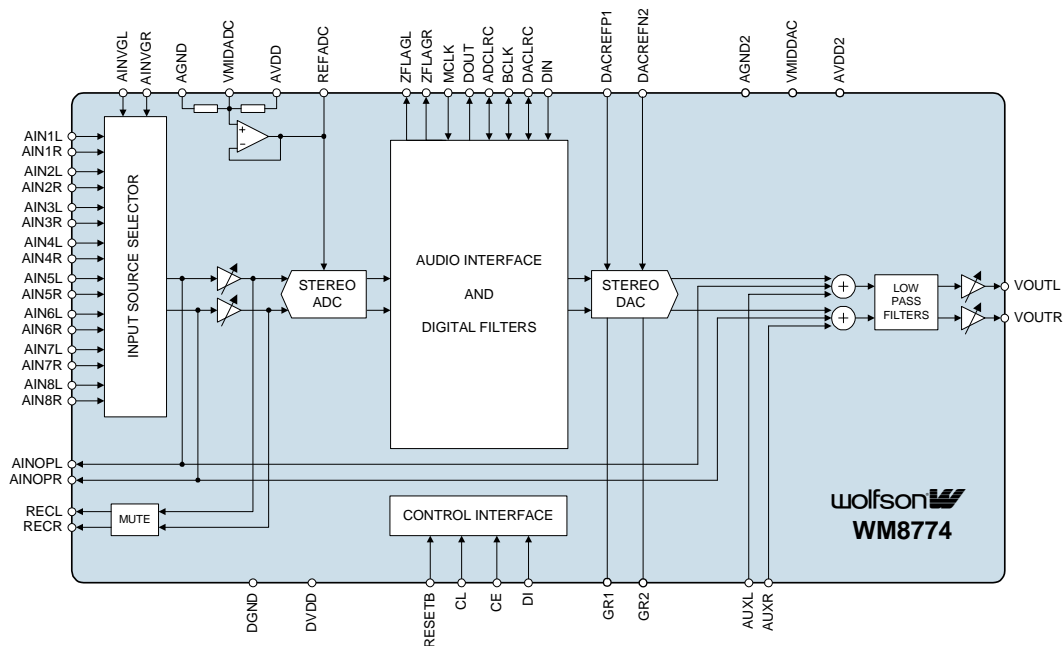
A stereo 24-bit multi-bit sigma delta ADC is used with an eight stereo channel input selector. Each channel has analogue domain mute and programmable gain control. Digital audio output word lengths from 16-32 bits and sampling rates from 8kHz to 96kHz are supported.

A stereo 24-bit multi-bit sigma delta DAC is used with oversampling digital interpolation filters. Digital audio input word lengths from 16-32 bits and sampling rates from 8kHz to 192kHz are supported. Each DAC channel has independent analogue volume and mute control, with a set of input multiplexors allowing selection of an external analogue input into these volume controls.

The audio data interface supports I²S, left justified, right justified and DSP digital audio formats.

The device is controlled via a 3 wire serial interface. The interface provides access to all features including channel selection, volume controls, mutes, de-emphasis and power management facilities. The device is available in a 64-pin TQFP package.

BLOCK DIAGRAM



FEATURES

- Audio Performance
 - 106dB SNR ('A' weighted @ 48kHz) DAC
 - 101dB SNR ('A' weighted @ 48kHz) ADC
- DAC Sampling Frequency: 8kHz – 192kHz
- ADC Sampling Frequency: 8kHz – 96kHz
- 3-Wire SPI Compatible Serial Control Interface
- Master or Slave Clocking Mode
- Programmable Audio Data Interface Modes
 - I²S, Left, Right Justified or DSP
 - 16/20/24/32 bit Word Lengths
- Stereo DAC with independent analogue and digital volume controls
- Analogue Bypass Path Feature
- Selectable AUX input to the volume controls
- Eight stereo ADC inputs with analogue gain adjust from +19dB to –12dB in 1dB steps
- 2.7V to 5.5V Analogue, 2.7V to 3.6V Digital supply Operation
- 5V tolerant digital inputs

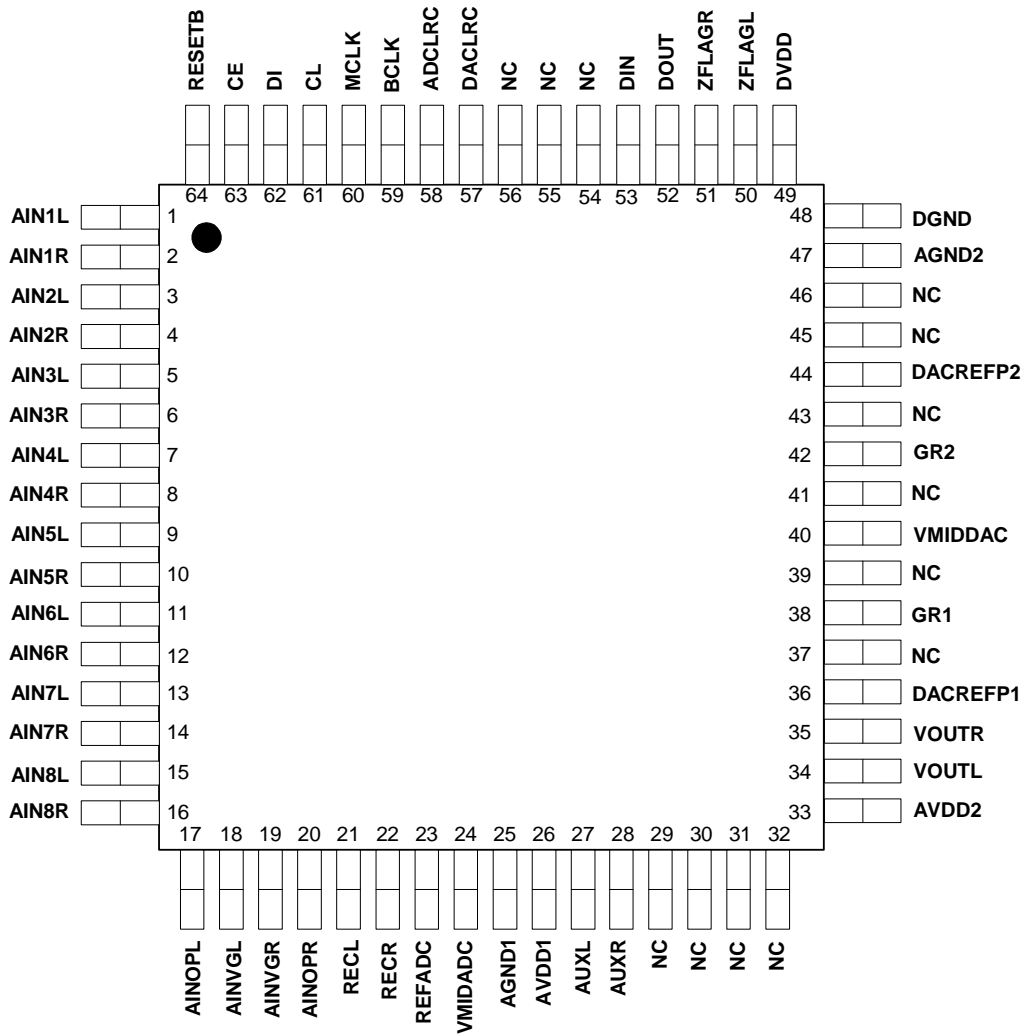
APPLICATIONS

- Surround Sound AV Processors and Hi-Fi systems
- Automotive Audio

PIN CONFIGURATION

ORDERING INFORMATION

DEVICE	TEMP. RANGE	PACKAGE
WM8774IFT/V	-40 to +85°C	64-pin TQFP



PIN DESCRIPTION

PIN	NAME	TYPE	DESCRIPTION
1	AIN1L	Analogue Input	Channel 1 left input multiplexor virtual ground
2	AIN1R	Analogue Input	Channel 1 right input multiplexor virtual ground
3	AIN2L	Analogue Input	Channel 2 left input multiplexor virtual ground
4	AIN2R	Analogue Input	Channel 2 right input multiplexor virtual ground
5	AIN3L	Analogue Input	Channel 3 left input multiplexor virtual ground
6	AIN3R	Analogue Input	Channel 3 right input multiplexor virtual ground
7	AIN4L	Analogue Input	Channel 4 left input multiplexor virtual ground
8	AIN4R	Analogue Input	Channel 4 right input multiplexor virtual ground
9	AIN5L	Analogue Input	Channel 5 left input multiplexor virtual ground
10	AIN5R	Analogue Input	Channel 5 right input multiplexor virtual ground
11	AIN6L	Analogue Input	Channel 6 left input multiplexor virtual ground
12	AIN6R	Analogue Input	Channel 6 right input multiplexor virtual ground
13	AIN7L	Analogue Input	Channel 7 left input multiplexor virtual ground
14	AIN7R	Analogue Input	Channel 7 right input multiplexor virtual ground
15	AIN8L	Analogue Input	Channel 8 left input multiplexor virtual ground
16	AIN8R	Analogue Input	Channel 8 right input multiplexor virtual ground
17	AINOPL	Analogue Output	Left channel multiplexor output
18	AINVGL	Analogue Input	Left channel multiplexor virtual ground
19	AINVGR	Analogue Input	Right channel multiplexor virtual ground
20	AINOPR	Analogue Output	Right channel multiplexor output
21	RECL	Analogue Output	Left channel input mux select output
22	RECR	Analogue Output	Right channel input mux select output
23	REFADC	Analogue Output	ADC reference buffer decoupling pin; 10uF external decoupling
24	VMIDADC	Analogue Output	ADC midrail divider decoupling pin; 10uF external decoupling
25	AGND1	Supply	Analogue negative supply and substrate connection
26	AVDD1	Supply	Analogue positive supply
27	AUXL	Analogue input	Multiplexor channel left virtual ground input
28	AUXR	Analogue input	3.1 Multiplexor channel right virtual ground input
29		NC	No connection
30		NC	No connection
31		NC	No connection
32		NC	No connection
33	AVDD2	Supply	Analogue positive supply
34	VOU1L	Analogue output	DAC channel 1 left output
35	VOU1R	Analogue output	DAC channel 1 right output
36	DACREFF1	Supply	DAC positive reference supply
37		NC	No connection
38	GR1	Supply	DAC ground reference
39		NC	No connection
40	VMIDDAC	Analogue output	DAC midrail decoupling pin ; 10uF external decoupling
41		NC	No connection
42	GR2	Supply	DAC ground reference
43		NC	No connection
44	DACREFF2	Supply	DAC positive reference supply
45		NC	No connection
46		NC	No connection
47	AGND2	Supply	Analogue negative supply and substrate connection
48	DGND	Supply	Digital negative supply
49	DVDD	Supply	Digital positive supply

PIN	NAME	TYPE	DESCRIPTION
50	ZFLAGL	Digital output	DAC Zero Flag output
51	ZFLAGR	Digital output	DAC Zero Flag output
52	DOUT	Digital output	ADC data output
53	DIN	Digital Input	DAC channel 1 data input
54		NC	No connection
55		NC	No connection
56		NC	No connection
57	DACLRC	Digital input/output	DAC left/right word clock
58	ADCLRC	Digital input/output	ADC left/right word clock
59	BCLK	Digital input/output	ADC and DAC audio interface bit clock
60	MCLK	Digital input	Master DAC and ADC clock; 256, 384, 512 or 768fs (fs = word clock frequency)
61	CL	Digital input	Serial interface clock (5V tolerant)
62	DI	Digital input	Serial interface data (5V tolerant)
63	CE	Digital input	Serial interface Latch signal (5V tolerant)
64	RESETB	Digital input	Device reset input (mutes DAC outputs, resets gain stages to 0dB) (5V tolerant)

Note : Digital input pins have Schmitt trigger input buffers and are 5V tolerant.

ABSOLUTE MAXIMUM RATINGS

Absolute Maximum Ratings are stress ratings only. Permanent damage to the device may be caused by continuously operating at or beyond these limits. Device functional operating limits and guaranteed performance specifications are given under Electrical Characteristics at the test conditions specified.



ESD Sensitive Device. This device is manufactured on a CMOS process. It is therefore generically susceptible to damage from excessive static voltages. Proper ESD precautions must be taken during handling and storage of this device.

CONDITION	MIN	MAX
Digital supply voltage	-0.3V	+3.63V
Analogue supply voltage	-0.3V	+7V
Voltage range digital inputs (DI, CL, CE & RESETB)	DGND -0.3V	+7V
Voltage range digital inputs (MCLK, DIN[3:0], ADCLRC, DAQLRC & BCLK)	DGND -0.3V	DVDD + 0.3V
Voltage range analogue inputs	AGND -0.3V	AVDD +0.3V
Master Clock Frequency		37MHz
Operating temperature range, T _A	-40°C	+85°C
Storage temperature	-65°C	+150°C
Package body temperature (soldering 10 seconds)		+240°C
Package body temperature (soldering 2 minutes)		+183°C

Notes:

1. Analogue and digital grounds must always be within 0.3V of each other.

RECOMMENDED OPERATING CONDITIONS

PARAMETER	SYMBOL	TEST CONDITIONS	MIN	TYP	MAX	UNIT
Digital supply range	DVDD		2.7		3.6	V
Analogue supply range	AVDD		2.7		5.5	V
Ground	AGND, DGND			0		V
Difference DGND to AGND			-0.3	0	+0.3	V

Note: Digital supply DVDD must never be more than 0.3V greater than AVDD.

ELECTRICAL CHARACTERISTICS

Test Conditions

AVDD = 5V, DVDD = 3.3V, AGND = 0V, DGND = 0V, T_A = +25°C, f_s = 48kHz, MCLK = 256fs unless otherwise stated.

PARAMETER	SYMBOL	TEST CONDITIONS	MIN	TYP	MAX	UNIT
Digital Logic Levels (TTL Levels)						
Input LOW level	V _{IL}				0.8	V
Input HIGH level	V _{IH}		2.0			V
Output LOW	V _{OL}	I _{OL} =1mA			0.1 x DVDD	V
Output HIGH	V _{OH}	I _{OH} =-1mA	0.9 x DVDD			V
Analogue Reference Levels						
Reference voltage	V _{VMID}		AVDD/2 – 50mV	AVDD/2	AVDD/2 + 50mV	V
Potential divider resistance	R _{VMID}	AVDD to VMID and VMID to AGND	40k	50k	60k	Ohms
DAC Performance (Load = 10k ohms, 50pF)						
0dBfs Full scale output voltage				1.0 x AVDD/5		V _{rms}
SNR (Note 1,2)		A-weighted, @ f _s = 48kHz	104	106		dB
SNR (Note 1,2)		A-weighted @ f _s = 96kHz		106		dB
Dynamic Range (Note 2)	DNR	A-weighted, -60dB full scale input	104	106		dB
Total Harmonic Distortion (THD)		1kHz, 0dBfs		-97	-90	dB
DAC channel separation				100		dB
DAC analogue Volume Gain Step Size			0.5	1	1.5	dB
DAC analogue Volume Gain Range		1kHz Input	-100		0	dB
DAC analogue Volume Mute Attenuation		1kHz Input, 0dB gain		100		dB
Power Supply Rejection Ratio	PSRR	1kHz 100mVpp		50		dB
		20Hz to 20kHz 100mVpp		45		dB
ADC Performance						
Input Signal Level (0dB)				1.0 x AVDD/5		V _{rms}
SNR (Note 1,2)		A-weighted, 0dB gain @ f _s = 48kHz	93	102		dB
SNR (Note 1,2)		A-weighted, 0dB gain @ f _s = 96kHz		98		dB
Dynamic Range (note 2)		A-weighted, -60dB full scale input		102		dB
Total Harmonic Distortion (THD)		kHz, 0dBfs		-90	-80	DB
		1kHz, -3dBfs		-95	-85	dB

Test Conditions

AVDD = 5V, DVDD = 3.3V, AGND = 0V, DGND = 0V, T_A = +25°C, fs = 48kHz, MCLK = 256fs unless otherwise stated.

PARAMETER	SYMBOL	TEST CONDITIONS	MIN	TYP	MAX	UNIT
ADC Channel Separation		1kHz Input		90		dB
Programmable Gain Step Size			0.5	1.0	1.5	dB
Programmable Gain Range		1kHz Input	-12		+19	dB
Mute Attenuation		1kHz Input, 0dB gain		97		dB
Power Supply Rejection Ratio	PSRR	1kHz 100mVpp		50		dB
		20Hz to 20kHz 100mVpp		45		dB
Analogue input (AIN) to Analogue output (VOUT) (Load=10k ohms, 50pF, gain = 0dB) Bypass Mode						
0dB Full scale output voltage				1.0 x AVDD/5		Vrms
SNR (Note 1)			90	100		dB
THD		1kHz, 0dB		-90		dB
		1kHz, -3dB		-95		dB
Power Supply Rejection Ratio	PSRR	1kHz 100mVpp		50		dB
		20Hz to 20kHz 100mVpp		45		dB
Mute Attenuation		1kHz, 0dB		100		dB
Supply Current						
Analogue supply current		AVDD = 5V		100		mA
Digital supply current		DVDD = 3.3V		20		mA

Notes:

- Ratio of output level with 1kHz full scale input, to the output level with all zeros into the digital input, measured 'A' weighted.
- All performance measurements done with 20kHz low pass filter, and where noted an A-weight filter. Failure to use such a filter will result in higher THD+N and lower SNR and Dynamic Range readings than are found in the Electrical Characteristics. The low pass filter removes out of band noise; although it is not audible it may affect dynamic specification values.
- VMID decoupled with 10uF and 0.1uF capacitors (smaller values may result in reduced performance).

TERMINOLOGY

- Signal-to-noise ratio (dB) - SNR is a measure of the difference in level between the full scale output and the output with no signal applied. (No Auto-zero or Automute function is employed in achieving these results).
- Dynamic range (dB) - DNR is a measure of the difference between the highest and lowest portions of a signal. Normally a THD+N measurement at 60dB below full scale. The measured signal is then corrected by adding the 60dB to it. (e.g. THD+N @ -60dB= -32dB, DR= 92dB).
- THD+N (dB) - THD+N is a ratio, of the rms values, of (Noise + Distortion)/Signal.
- Stop band attenuation (dB) - Is the degree to which the frequency spectrum is attenuated (outside audio band).
- Channel Separation (dB) - Also known as Cross-Talk. This is a measure of the amount one channel is isolated from the other. Normally measured by sending a full scale signal down one channel and measuring the other.
- Pass-Band Ripple - Any variation of the frequency response in the pass-band region.

MASTER CLOCK TIMING

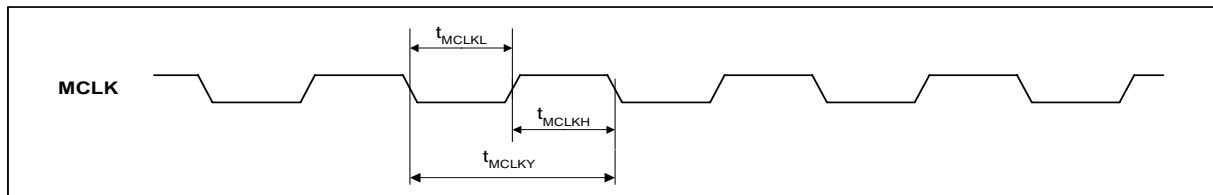


Figure 1 Master Clock Timing Requirements

Test Conditions

AVDD = 5V, DVDD = 3.3V, AGND = 0V, DGND = 0V, $T_A = +25^\circ\text{C}$, $f_s = 48\text{kHz}$, MCLK = 256fs unless otherwise stated.

PARAMETER	SYMBOL	TEST CONDITIONS	MIN	TYP	MAX	UNIT
System Clock Timing Information						
MCLK System clock pulse width high	t_{MCLKH}		11			ns
MCLK System clock pulse width low	t_{MCLKL}		11			ns
MCLK System clock cycle time	t_{MCLKY}		28			ns
MCLK Duty cycle			40:60		60:40	

Table 1 Master Clock Timing Requirements

DIGITAL AUDIO INTERFACE – MASTER MODE

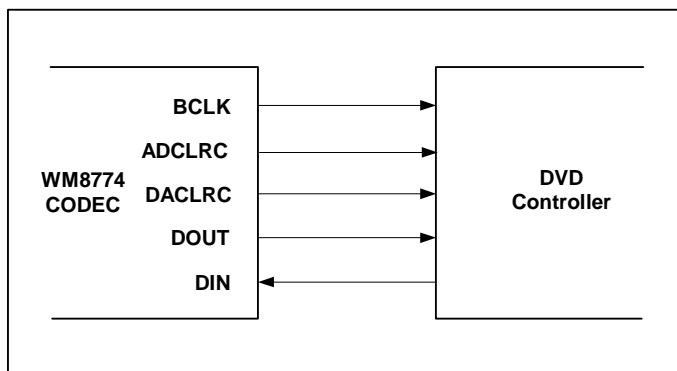


Figure 2 Audio Interface - Master Mode

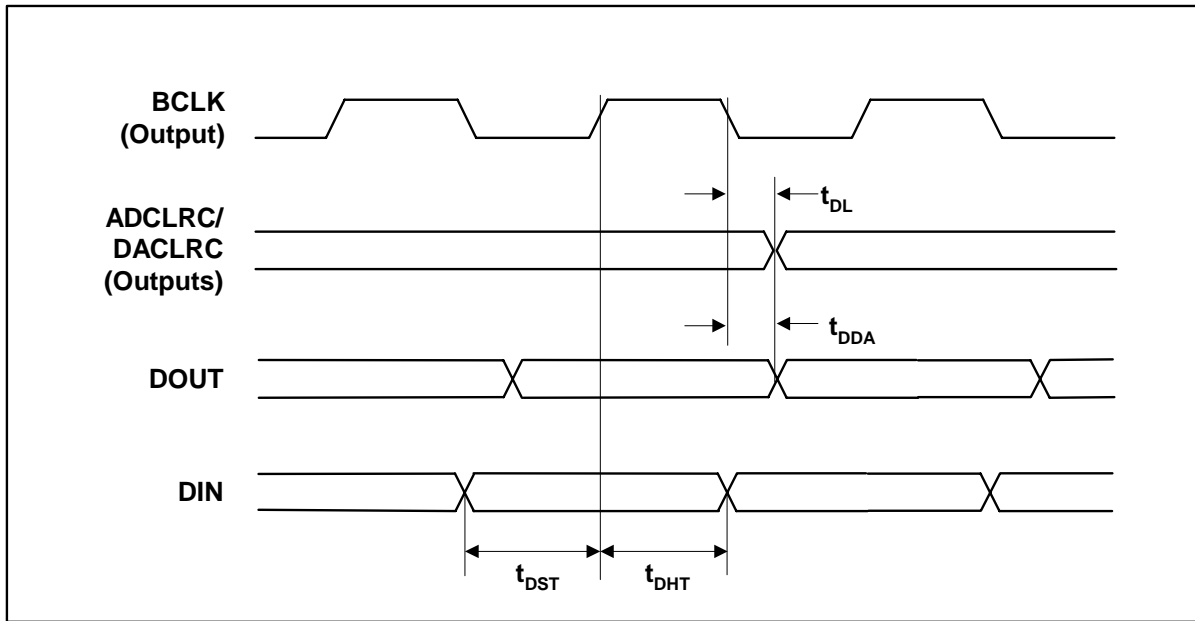


Figure 3 Digital Audio Data Timing – Master Mode

Test Conditions

AVDD = 5V, DVDD = 3.3V, AGND, DGND = 0V, $T_A = +25^\circ\text{C}$, Master Mode, $f_s = 48\text{kHz}$, MCLK = 256fs unless otherwise stated.

PARAMETER	SYMBOL	TEST CONDITIONS	MIN	TYP	MAX	UNIT
Audio Data Input Timing Information						
ADCLRC/DACLRC propagation delay from BCLK falling edge	t_{DL}		0		10	ns
DOUT propagation delay from BCLK falling edge	t_{DDA}		0		10	ns
DIN setup time to BCLK rising edge	t_{DST}		10			ns
DIN hold time from BCLK rising edge	t_{DHT}		10			ns

Table 2 Digital Audio Data Timing – Master Mode

DIGITAL AUDIO INTERFACE – SLAVE MODE

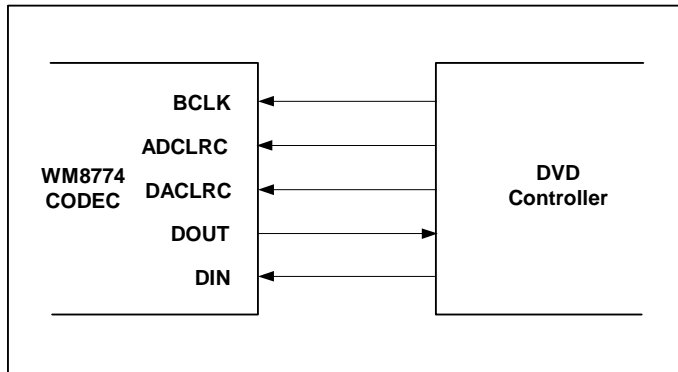


Figure 4 Audio Interface – Slave Mode

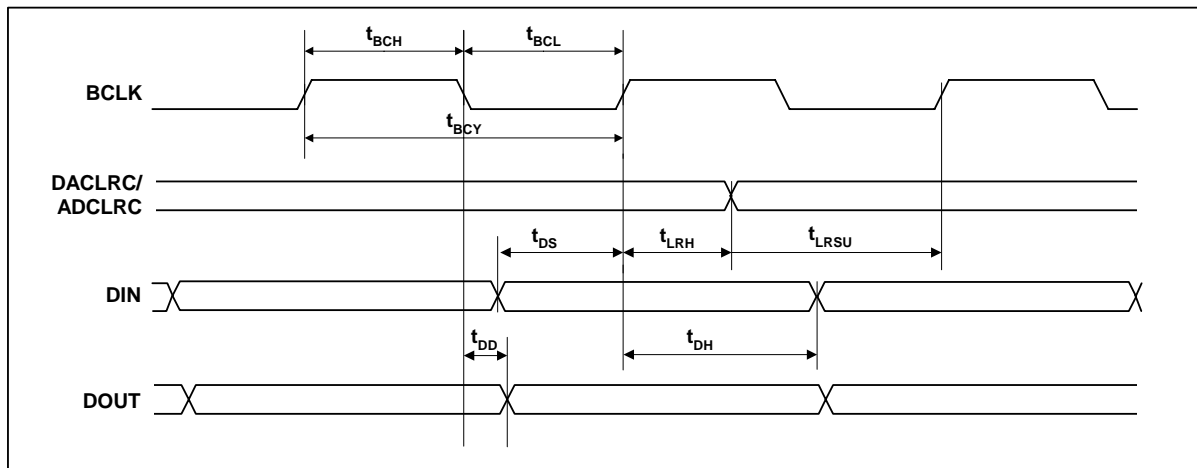


Figure 5 Digital Audio Data Timing – Slave Mode

Test Conditions

AVDD = 5V, DVDD = 3.3V, AGND = 0V, DGND = 0V, T_A = +25°C, Slave Mode, fs = 48kHz, MCLK = 256fs unless otherwise stated.

PARAMETER	SYMBOL	TEST CONDITIONS	MIN	TYP	MAX	UNIT
Audio Data Input Timing Information						
BCLK cycle time	t _{BCY}		50			ns
BCLK pulse width high	t _{BCH}		20			ns
BCLK pulse width low	t _{BCL}		20			ns
DACLRC/ADCLRC set-up time to BCLK rising edge	t _{LRSU}		10			ns
DACLRC/ADCLRC hold time from BCLK rising edge	t _{LRH}		10			ns
DIN set-up time to BCLK rising edge	t _{DS}		10			ns
DIN hold time from BCLK rising edge	t _{DH}		10			ns
DOUT propagation delay from BCLK falling edge	t _{DD}		0		10	ns

Table 3 Digital Audio Data Timing – Slave Mode

Note:

- ADCLRC and DACLRC should be synchronous with MCLK, although the WM8774 interface is tolerant of phase variations or jitter on these signals.

MPU INTERFACE TIMING

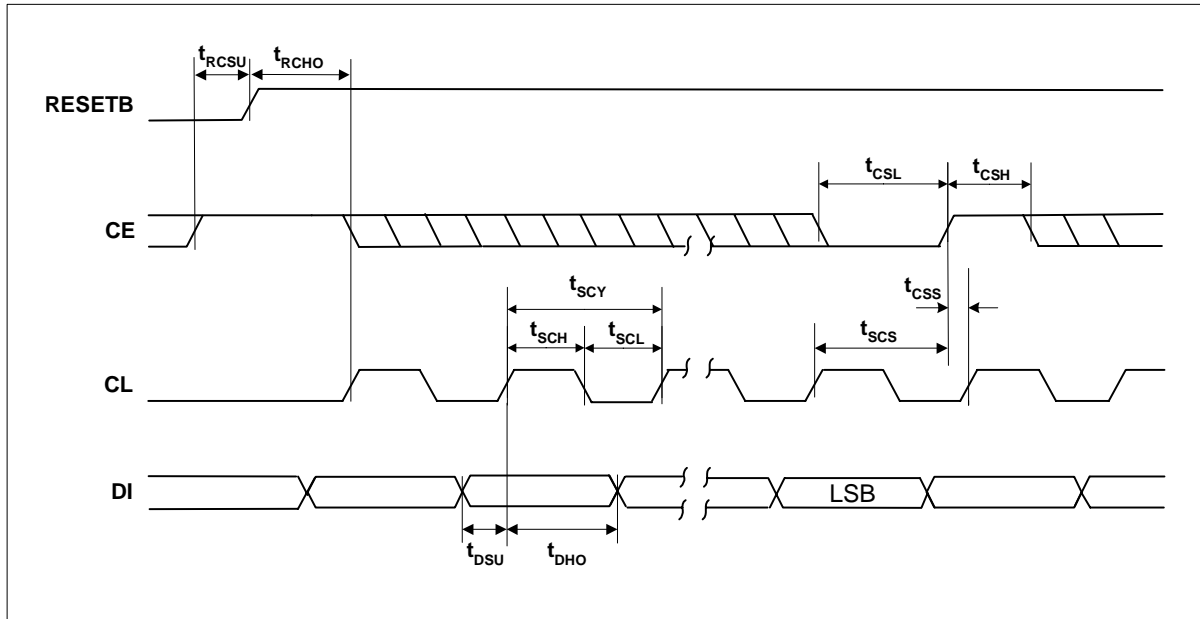


Figure 6 SPI Compatible Control Interface Input Timing

Test Conditions					
AVDD = 5V, DVDD = 3.3V, AGND, DGND = 0V, T _A = +25°C, fs = 48kHz, MCLK = 256fs unless otherwise stated					
PARAMETER	SYMBOL	MIN	TYP	MAX	UNIT
CE to RESETB hold time	t _{RCSU}	20			ns
RESETB to CL setup time	t _{RCHO}	20			ns
CL rising edge to CE rising edge	t _{SCS}	60			ns
CL pulse cycle time	t _{SCY}	80			ns
CL pulse width low	t _{SCL}	30			ns
CL pulse width high	t _{SCH}	30			ns
DI to CL set-up time	t _{DSU}	20			ns
CL to DI hold time	t _{DHO}	20			ns
CE pulse width low	t _{CSL}	20			ns
CE pulse width high	t _{CSH}	20			ns
CE rising to CL rising	t _{CSS}	20			ns

Table 4 3 Wire SPI compatible Control Interface Input Timing Information

DEVICE DESCRIPTION

INTRODUCTION

WM8774 is a complete 2-channel DAC, 2-channel ADC audio codec, with flexible input multiplexor including digital interpolation and decimation filters, multi-bit sigma delta stereo ADC, and switched capacitor multi-bit sigma delta DACs with analogue volume controls on each channel and output smoothing filters. It is available in a single package and controlled by a single interface.

An analogue bypass path option is available, to allow stereo analogue signals from any of the 8 stereo inputs to be sent to the stereo outputs via the main volume controls. This allows a purely analogue input to analogue output high quality signal path to be implemented if required.

The DAC and ADC have separate left/right clocks and data I/Os. However, BITCLK and MCLK are shared between the ADC and DAC. The Audio Interface may be configured to operate in either master or slave mode. In Slave mode ADCLRC, DACLRC and BCLK are all inputs. In Master mode ADCLRC, DACLRC and BCLK are outputs.

The input multiplexor to the ADC is configured to allow large signal levels to be input to the ADC, using external resistors to reduce the amplitude of larger signals to within the normal operating range of the ADC. The ADC input PGA also allows input signals to be gained up to +19dB and attenuated down to -12dB. This allows the user maximum flexibility in the use of the ADC.

A selectable stereo record output is also provided on RECL/R. It is intended that the RECL/R outputs are only used to drive a high impedance buffer.

The DAC has its own analogue and separate digital volume control. The analogue volume control is adjustable in 1dB steps and the digital volume control in 0.5dB steps. The analogue and digital volume controls may be operated independently. In addition a zero cross detect circuit is provided for both analogue and digital volume controls. When analogue volume zero-cross detection is enabled the attenuation values are only updated when the input signal to the gain stage is close to the analogue ground level. The digital volume control detects a transition through the zero point before updating the volume. This minimises audible clicks and 'zipper' noise as the gain values change.

The DAC output incorporates an input selector and mixer allowing an signal to be either switched into the signal path in place of the DAC signal or mixed with the DAC signal before the volume control. Use of external resistors allows larger input levels to be accepted by the device, giving maximum user flexibility.

Control of internal functionality of the device is by 3-wire serial control interface. An SPI type control interface is used, which may be asynchronous to the audio data interface as control data will be re-synchronised to the audio processing internally.

CE, CL, DI and RESETB are 5V tolerant with TTL input thresholds, allowing the WM8774 to be used with DVDD = 3.3V and be controlled by a controller with 5V output.

Operation using system clock of 128fs, 192fs, 256fs, 384fs, 512fs or 768fs is provided. In Slave mode selection between clock rates is automatically controlled. In master mode the master clock to sample rate ratio is set by control bits ADCRATE and DACRATE. ADC and DAC may run at different rates within the constraint of a common master clock for the ADC and DACs. For example with master clock at 24.576MHz, a DAC sample rate of 96kHz (256fs mode) and an ADC sample rate of 48kHz (512fs mode) can be accommodated. Master clock sample rates (fs) from less than 8kHz up to 192kHz are allowed, provided the appropriate system clock is input.

The audio data interface supports right, left and I²S interface formats along with a highly flexible DSP serial port interface.

AUDIO DATA SAMPLING RATES

In a typical digital audio system there is only one central clock source producing a reference clock to which all audio data processing is synchronised. This clock is often referred to as the audio system's Master Clock. The external master system clock can be applied directly through the MCLK input pin with no software configuration necessary. In a system where there are a number of possible sources for the reference clock it is recommended that the clock source with the lowest jitter be used to optimise the performance of the ADC and DAC.

The master clock for WM8774 supports DAC and ADC audio sampling rates from 256fs to 768fs, where fs is the audio sampling frequency (DACLRC or ADCLRC) typically 32kHz, 44.1kHz, 48kHz or 96kHz (the DAC also supports operation at 128fs and 192fs and 192kHz sample rate). The master clock is used to operate the digital filters and the noise shaping circuits.

In Slave mode the WM8774 has a master detection circuit that automatically determines the relationship between the master clock frequency and the sampling rate (to within +/- 32 system clocks). If there is a greater than 32 clocks error the interface is disabled and maintains the output level at the last sample. The master clock must be synchronised with ADCLRC/DACLRC, although the WM8774 is tolerant of phase variations or jitter on this clock. Table 5 shows the typical master clock frequency inputs for the WM8774.

The signal processing for the WM8774 typically operates at an oversampling rate of 128fs for both ADC and DAC. The exception to this for the DAC is for operation with a 128 or 192fs system clock, e.g. for 192kHz operation where the oversampling rate is 64fs. For ADC operation at 96kHz it is recommended that the user set the ADCOSR bit. This changes the ADC signal processing oversample rate to 64fs.

SAMPLING RATE (DACLRC/ ADCLRC)	System Clock Frequency (MHz)					
	128fs	192fs	256fs	384fs	512fs	768fs
	DAC ONLY					
32kHz	4.096	6.144	8.192	12.288	16.384	24.576
44.1kHz	5.6448	8.467	11.2896	16.9340	22.5792	33.8688
48kHz	6.144	9.216	12.288	18.432	24.576	36.864
96kHz	12.288	18.432	24.576	36.864	Unavailable	Unavailable
192kHz	24.576	36.864	Unavailable	Unavailable	Unavailable	Unavailable

Table 5 System Clock Frequencies Versus Sampling Rate

In Master mode BCLK, DACLRC and ADCLRC are generated by the WM8774. The frequencies of ADCLRC and DACLRC are set by setting the required ratio of MCLK to DACLRC and ADCLRC using the DACRATE and ADCRATE control bits (Table 6).

ADCRATE[2:0]/ DACRATE[2:0]	MCLK:ADCLRC/DACLRC RATIO
000	128fs (DAC Only)
001	192fs (DAC Only)
010	256fs
011	384fs
100	512fs
101	768fs

Table 6 Master Mode MCLK:ADCLRC/DACLRC Ratio Select

Table 7 shows the settings for ADCRATE and DACRATE for common sample rates and MCLK frequencies.

SAMPLING RATE (DACLRC/ ADCLRC)	System Clock Frequency (MHz)					
	128fs	192fs	256fs	384fs	512fs	768fs
	DACRATE =000	DACRATE =001	ADCRATE/ DACRATE =010	ADCRATE/ DACRATE =011	ADCRATE/ DACRATE =100	ADCRATE/ DACRATE =101
32kHz	4.096	6.144	8.192	12.288	16.384	24.576
44.1kHz	5.6448	8.467	11.2896	16.9340	22.5792	33.8688
48kHz	6.144	9.216	12.288	18.432	24.576	36.864
96kHz	12.288	18.432	24.576	36.864	Unavailable	Unavailable
192kHz	24.576	36.864	Unavailable	Unavailable	Unavailable	Unavailable

Table 7 Master Mode ADC/DACLRC Frequency Selection

BCLK is also generated by the WM8774. The frequency of BCLK depends on the mode of operation.

In 128/192fs modes (DACRATE=000 or 001) BCLK = MCLK/2. In 256/384/512fs modes (ADCRATE/DACRATE=010 or 011, 100 or 101) BCLK = MCLK/4. However if DSP mode is selected as the audio interface mode then BCLK=MCLK. This is to ensure that there are sufficient BCLKs to clock in all eight channels. Note that DSP mode cannot be used in 128fs mode for word lengths greater than 16 bits or in 192fs mode for word lengths greater than 24 bits.

ZERO DETECT

The WM8774 has a zero detect circuit for each channel, which detects when 1024 consecutive zero samples have been input. Two zero flag outputs (ZFLAGL and ZFLAGR) may be programmed to output the zero detect signals (see Table 8) which may then be used to control external muting circuits. A '1' on ZFLAGL or ZFLAGR indicates a zero detect. The zero detect may also be used to automatically enable the PGA mute by setting IZD. The zero flag output may be disabled by setting DZFM to 00. The zero flag signal for each DAC channel will only be enabled if that channel is enabled as an input to the output summing stage.

DZFM[1:0]	ZFLAGL	ZFLAGR
00	Zero flag disabled	Zero flag disabled
01	Both channels zero	Both channels zero
10	Left channel zero	Right channel zero
11	Both channels zero	-

Table 8 Zero Flag Output Select

POWERDOWN MODES

The WM8774 has powerdown control bits allowing specific parts of the WM8774 to be powered off when not being used. The 8-channel input source selector and input buffer may be powered down using control bit AINPD. When AINPD is set all inputs to the source selector (AIN1/R to AIN8/L/R) are switched to a buffered VMIDADC. Control bit ADCPD powers off the ADC and also the ADC input PGAs. The four stereo DACs each have a separate powerdown control bit, DACPD allowing individual stereo DACs to be powered off when not in use. The analogue output mixers and EVRs may also be powered down by setting OUTPD. OUTPD also switches the analogue outputs VOUTL/R to VMIDDAC to maintain a dc level on the output. Setting AINPD, ADCPD, DACPD and OUTPD will powerdown everything except the references VMIDADC, ADCREF and VMIDDAC. These may be powered down by setting PDWN. Setting PDWN will override all other powerdown control bits. It is recommended that the 8-channel input mux and buffer, ADC, DAC, output mixer and EVR are powered down before setting PDWN. The default is for all powerdown bits to be set except PDWN.

The Powerdown control bits allow parts of the device to be powered down when not in use. For example, if only an analogue bypass path from AINL/R to VOUTL/R is required the ADCPD and DACPD control bits may be set, leaving the analogue input and analogue output powered up.

DIGITAL AUDIO INTERFACE

MASTER AND SLAVE MODES

The audio interface operates in either Slave or Master mode, selectable using the MS control bit. In both Master and Slave modes DACDAT is always an input to the WM8774 and ADCDAT is always an output. The default is Slave mode. In Slave mode (MS=0) ADCLRC, DACLRC and BCLK are inputs to the WM8774 (Figure 7). DIN, ADCLRC and DACLRC are sampled by the WM8774 on the rising edge of BCLK. ADC data is output on DOUT and changes on the falling edge of BCLK. By setting control bit BCLKINV the polarity of BCLK may be reversed so that DIN, ADCLRC and DACLRC are sampled on the falling edge of BCLK and DOUT changes on the rising edge of BCLK.

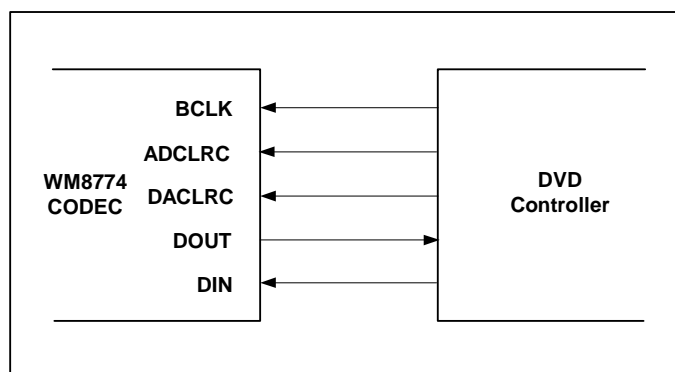


Figure 7 Slave Mode

In Master mode (MS=1) ADCLRC, DACLRC and BCLK are outputs from the WM8774 (Figure 8). ADCLRC, DACLRC and BITCLK are generated by the WM8774. DIN is sampled by the WM8774 on the rising edge of BCLK so the controller must output DAC data that changes on the falling edge of BCLK. ADCDAT is output on DOUT and changes on the falling edge of BCLK. By setting control bit BCLKINV the polarity of BCLK may be reversed so that DIN is sampled on the falling edge of BCLK and DOUT changes on the rising edge of BCLK.

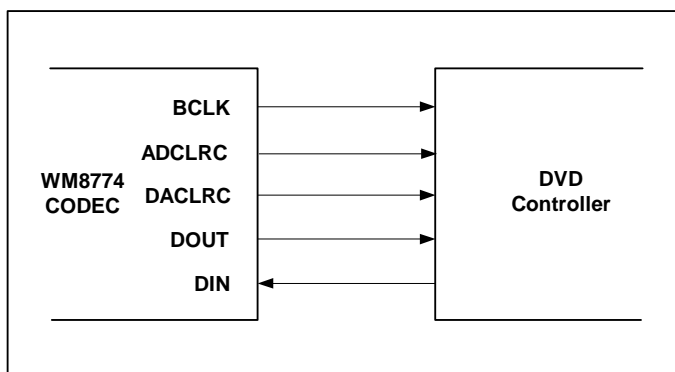


Figure 8 Master Mode

AUDIO INTERFACE FORMATS

Audio data is applied to the internal DAC filters, or output from the ADC filters, via the Digital Audio Interface. 5 popular interface formats are supported:

- Left Justified mode
- Right Justified mode
- I²S mode
- DSP Early mode
- DSP Late mode

All 5 formats send the MSB first and support word lengths of 16, 20, 24 and 32 bits, with the exception of 32 bit right justified mode, which is not supported.

In left justified, right justified and I²S modes, the digital audio interface receives DAC data on the DIN inputs and outputs ADC data on DOUT. Audio Data for each stereo channel is time multiplexed with ADCLRC/DACLRC indicating whether the left or right channel is present. ADCLRC/DACLRC is also used as a timing reference to indicate the beginning or end of the data words.

In left justified, right justified and I²S modes, the minimum number of BCLKs per DACLRC/ADCLRC period is 2 times the selected word length. ADCLRC/DACLRC must be high for a minimum of word length BCLKs and low for a minimum of word length BCLKs. Any mark to space ratio on ADCLRC/DACLRC is acceptable provided the above requirements are met.

In DSP early or DSP late mode, multiple DACs channel can be time multiplexed onto DIN. DACLRC is used as a frame sync signal to identify the MSB of the first word. The minimum number of BCLKs per DACLRC period is 8 times the selected word length. Any mark to space ratio is acceptable on DACLRC provided the rising edge is correctly positioned. The ADC data may also be output in DSP early or late modes, with ADCLRC used as a frame sync to identify the MSB of the first word. The minimum number of BCLKs per ADCLRC period is 2 times the selected word length

LEFT JUSTIFIED MODE

In left justified mode, the MSB of DIN is sampled by the WM8774 on the first rising edge of BCLK following a DACLRC transition. The MSB of the ADC data is output on DOUT and changes on the same falling edge of BCLK as ADCLRC and may be sampled on the rising edge of BCLK. ADCLRC and DACLRC are high during the left samples and low during the right samples (Figure 9).

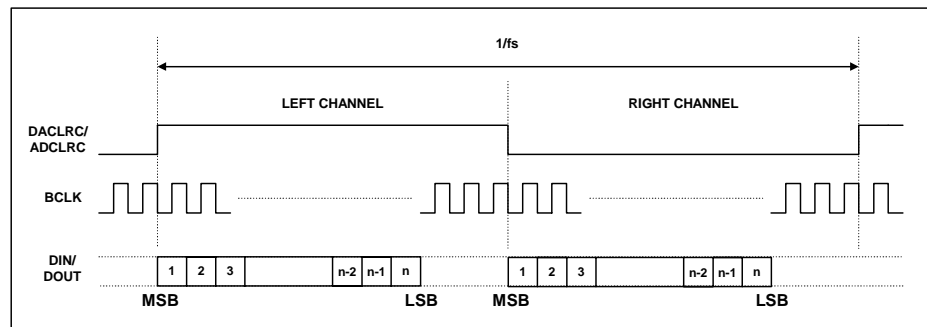


Figure 9 Left Justified Mode Timing Diagram

RIGHT JUSTIFIED MODE

In right justified mode, the LSB of DIN is sampled by the WM8774 on the rising edge of BCLK preceding a DACLRC transition. The LSB of the ADC data is output on DOUT and changes on the falling edge of BCLK preceding an ADCLRC transition and may be sampled on the rising edge of BCLK. ADCLRC and DACLRC are high during the left samples and low during the right samples (

Figure 10).

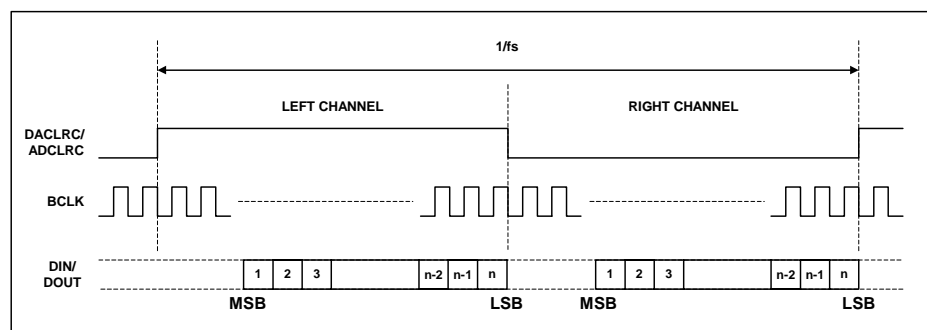


Figure 10 Right Justified Mode Timing Diagram

I²S MODE

In I²S mode, the MSB of DIN is sampled by the WM8774 on the second rising edge of BCLK following a DACLRC transition. The MSB of the ADC data is output on DOUT and changes on the first falling edge of BCLK following an ADCLRC transition and may be sampled on the rising edge of BCLK. ADCLRC and DACLRC are low during the left samples and high during the right samples.

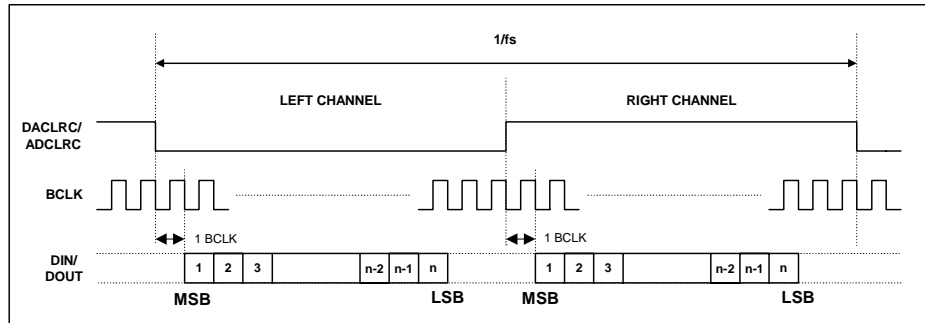


Figure 11 I²S Mode Timing Diagram

DSP EARLY MODE

In DSP early mode, the MSB of DAC channel left data is sampled by the WM8774 on the second rising edge on BCLK following a DACLRC rising edge (Figure 12).

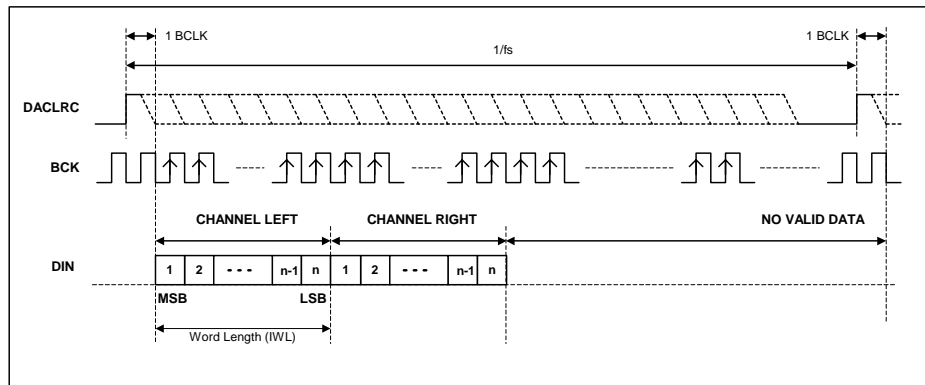


Figure 12 DSP Early Mode Timing Diagram – DAC Data Input

The MSB of the left channel ADC data is output on DOUT and changes on the first falling edge of BCLK following a low to high ADCLRC transition and may be sampled on the rising edge of BCLK. The right channel ADC data is contiguous with the left channel data (Figure 13)

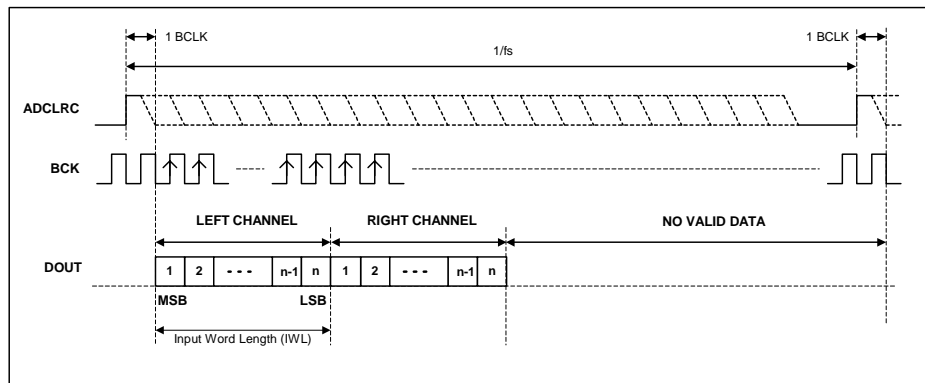


Figure 13 DSP Early Mode Timing Diagram – ADC Data Output

DSP LATE MODE

In DSP late mode, the MSB of DAC channel left data is sampled by the WM8774 on the first BCLK rising edge following a DACLRC rising edge (Figure 14).

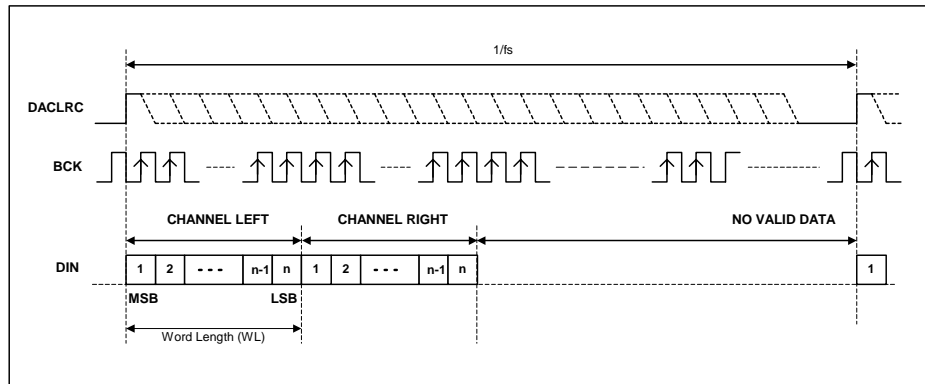


Figure 14 DSP Late Mode Timing Diagram – DAC Data Input

The MSB of the left channel ADC data is output on DOUT and changes on the same falling edge of BCLK as the low to high ADCLRC transition and may be sampled on the rising edge of BCLK. The right channel ADC data is contiguous with the left channel data (Figure 15).

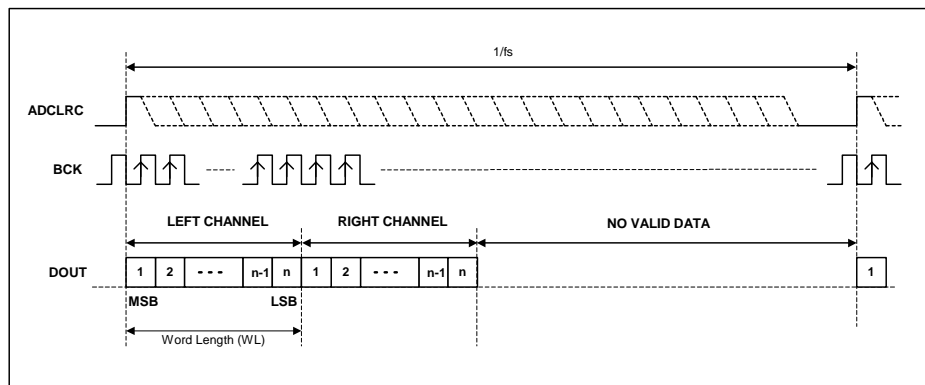


Figure 15 DSP Late Mode Timing Diagram – ADC Data Output

In both early and late DSP modes, DACL is always sent first, followed immediately by DACR. No BCLK edges are allowed between the data words.

CONTROL INTERFACE OPERATION

The WM8774 is controlled using a 3-wire serial interface a SPI compatible.

The control interface is 5V tolerant, meaning that the control interface input signals CE, CL and DI may have an input high level of 5V while DVDD is 3V. Input thresholds are determined by DVDD. RESETB is also 5V tolerant.

3-WIRE (SPI COMPATIBLE) SERIAL CONTROL MODE

DI is used for the program data, CL is used to clock in the program data and CE is used to latch the program data. DI is sampled on the rising edge of CL. The 3-wire interface protocol is shown in Figure 16.

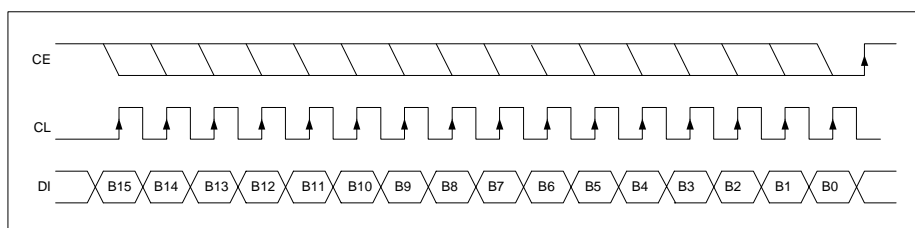


Figure 16 3-Wire SPI Compatible Interface

1. B[15:9] are Control Address Bits
2. B[8:0] are Control Data Bits
3. CE is edge sensitive – the data is latched on the rising edge of CE.

CONTROL INTERFACE REGISTERS

DIGITAL AUDIO INTERFACE CONTROL REGISTER

Interface format is selected via the FMT[1:0] register bits:

REGISTER ADDRESS	BIT	LABEL	DEFAULT	DESCRIPTION
10110 Interface Control	1:0	FMT[1:0]	10	Interface format Select 00 : right justified mode 01: left justified mode 10: I ² S mode 11: DSP (early or late) mode

In left justified, right justified or I²S modes, the LRP register bit controls the polarity of ADCLRC/DACLRC. If this bit is set high, the expected polarity of ADCLRC/DACLRC will be the opposite of that shown,

Figure 10 and. Note that if this feature is used as a means of swapping the left and right channels, a 1 sample phase difference will be introduced. In DSP modes, the LRP register bit is used to select between early and late modes.

REGISTER ADDRESS	BIT	LABEL	DEFAULT	DESCRIPTION
10110 Interface Control	2	LRP	0	In left/right/ I ² S modes: ADCLRC/DACLRC Polarity (normal) 0 : normal ADCLRC/DACLRC polarity 1: inverted ADCLRC/DACLRC polarity
				In DSP mode: 0 : Early DSP mode 1: Late DSP mode

By default, ADCLRC/DACLRC and DIN is sampled on the rising edge of BCLK and should ideally change on the falling edge. Data sources that change ADCLRC/DACLRC and DIN on the rising edge of BCLK can be supported by setting the BCP register bit. Setting BCP to 1 inverts the polarity of BCLK to the inverse of that shown in,

Figure 10, Figure 11, Figure 12, Figure 13, Figure 14 and Figure 15.

REGISTER ADDRESS	BIT	LABEL	DEFAULT	DESCRIPTION
10110 Interface Control	3	BCP	0	BCLK Polarity (DSP modes) 0 : normal BCLK polarity 1: inverted BCLK polarity

The WL[1:0] bits are used to control the input word length.

REGISTER ADDRESS	BIT	LABEL	DEFAULT	DESCRIPTION
10110 Interface Control	5:4	WL[1:0]	10	Input Word Length 00 : 16 bit data 01: 20 bit data 10: 24 bit data 11: 32 bit data

Note: If 32-bit mode is selected in right justified mode, the WM8774 defaults to 24 bits.

In all modes, the data is signed 2's complement. The digital filters always input 24-bit data. If the DAC is programmed to receive 16 or 20 bit data, the WM8774 pads the unused LSBs with zeros. If the DAC is programmed into 32 bit mode, the 8 LSBs are ignored.

Note: In 24 bit I²S mode, any width of 24 bits or less is supported provided that ADCLRC/DACLRC is high for a minimum of 24 BCLKs and low for a minimum of 24 BCLKs.

A number of options are available to control how data from the Digital Audio Interface is applied to the DAC channels.

Control bit MS selects between audio interface Master and Slave Modes. In Master mode ADCLRC, DACLRC and BCLK are outputs and are generated by the WM8774. In Slave mode ADCLRC, DACLRC and BCLK are inputs to WM8774.

REGISTER ADDRESS	BIT	LABEL	DEFAULT	DESCRIPTION
10111 Interface Control	8	MS	0	Audio Interface Master/Slave Mode select: 0 : Slave Mode 1: Master Mode

MASTER MODE ADCLRC/DACLRC FREQUENCY SELECT

In Master mode the WM8774 generates ADCLRC, DACLRC and BCLK. These clocks are derived from master clock and the ratio of MCLK to ADCLRC and DACLRC are set by ADCRATE and DACRATE.

REGISTER ADDRESS	BIT	LABEL	DEFAULT	DESCRIPTION
10111 ADCLRC and DACLRC frequency select	2:0	ADCRATE[2:0]	010	Master Mode MCLK:ADCLRC ratio select: 010: 256fs 011: 384fs 100: 512fs 101: 768fs
	6:4	DACRATE[2:0]	010	Master Mode MCLK:DACLRC ratio select: 000: 128fs 001: 192fs 010: 256fs 011: 384fs 100: 512fs 101: 768fs

ADC OVERSAMPLING RATE SELECT

For ADC operation at 96kHz, it is recommended that the user set the ADCOSR bit. This changes the ADC signal processing oversample rate to 64fs.

REGISTER ADDRESS	BIT	LABEL	DEFAULT	DESCRIPTION
10111 ADC Oversampling Rate	3	ADCOSR	0	ADC oversampling rate select 0: 128x oversampling 1: 64x oversampling

MUTE MODES

Setting DMUTE will apply a 'soft' mute to the input of the DAC digital filters.

REGISTER ADDRESS	BIT	LABEL	DEFAULT	DESCRIPTION
10100 DAC Mute	0	DMUTE	0	DAC Soft Mute select 0 : Normal Operation 1: Soft mute enabled

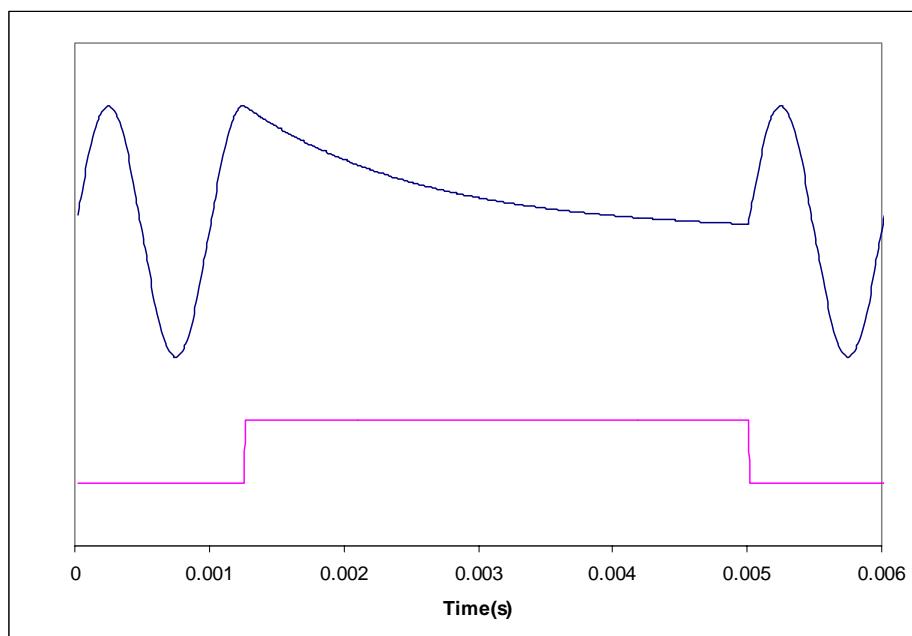


Figure 17 Application and Release of Soft Mute

Figure 17 shows the application and release of DMUTE whilst a full amplitude sinusoid is being played at 48kHz sampling rate. When DMUTE (lower trace) is asserted, the output (upper trace) begins to decay exponentially from the DC level of the last input sample. The output will decay towards V_{MID} with a time constant of approximately 64 input samples. If DMUTE is applied for 1024 or more input samples, the DAC will be muted if IZD is set. When DMUTE is de-asserted, the output will restart immediately from the current input sample.

Note that all other means of muting the DAC channels: setting the PL[3:0] bits to 0, setting the PDWN bit or setting attenuation to 0 will cause much more abrupt muting of the output.

Each ADC channel also has an individual mute control bit, which mutes the input to the ADC. In addition both channels may be muted by setting ADCMUTE.

REGISTER ADDRESS	BIT	LABEL	DEFAULT	DESCRIPTION
11001 ADC Mute	7	ADCMUTE	0	ADC MUTE Left and Right 0 : Normal Operation 1: mute ADC left and ADC right
11001 ADC Mute Left	5	MUTE	0	ADC Mute select 0 : Normal Operation 1: mute ADC left
11010 ADC Mute Right	5	MUTE	0	ADC Mute select 0 : Normal Operation 1: mute ADC right

The Record outputs may be enabled by setting RECEN, where RECEN enables the RECL and RECR outputs.

REGISTER ADDRESS	BIT	LABEL	DEFAULT	DESCRIPTION
10100 REC Enable	5	RECEN	0	REC Output Enable 0 : REC output muted 1: REC output enabled

DE-EMPHASIS MODE

A digital De-emphasis filter may be applied to the DAC. The De-emphasis filter for each stereo channel is enabled under the control of DEEMP.

REGISTER ADDRESS	BIT	LABEL	DEFAULT	DESCRIPTION
10101 DAC De-emphasis Control	0	DEEMPH	0	De-emphasis mode select: 0 : Normal Mode 1: De-emphasis Mode

Refer to Figure 26, Figure 27, Figure 28, Figure 29, Figure 30 and Figure 31 for details of the De-Emphasis modes at different sample rates.

POWERDOWN MODE AND ADC/DAC DISABLE

Setting the PDWN register bit immediately powers down the WM8774, including the references, overriding all other powerdown control bits. All trace of the previous input samples are removed, but all control register settings are preserved. When PDWN is cleared the digital filters will be reinitialised. It is recommended that the 8-channel input mux and buffer, ADC, DAC and output mixers and EVRs are powered down before setting PDWN.

REGISTER ADDRESS	BIT	LABEL	DEFAULT	DESCRIPTION
11000 Powerdown Control	0	PDWN	0	Power Down Mode Select: 0 : Normal Mode 1: Power Down Mode

The ADC and DACs may also be powered down by setting the ADCD and DACD disable bits. Setting ADCD will disable the ADC and select a low power mode. The ADC digital filters will be reset and will reinitialise when ADCD is reset. Setting DACD disable the DAC and select a low power mode. Resetting DACD will reinitialise the digital filters.

REGISTER ADDRESS	BIT	LABEL	DEFAULT	DESCRIPTION
11000 Powerdown Control	1	ADCD	1	ADC Disable: 0 : Normal Mode 1: Power Down Mode
	2	DACD	1111	DAC Disable: 0 : Normal Mode 1: Power Down Mode

ATTENUATOR CONTROL MODE

Setting the ATC register bit causes the left channel attenuation settings to be applied to both left and right channel DACs from the next audio input sample. No update to the attenuation registers is required for ATC to take effect.

REGISTER ADDRESS	BIT	LABEL	DEFAULT	DESCRIPTION
10011 DAC Channel Control	1	ATC	0	Attenuator Control Mode: 0 : Right channels use Right attenuations 1: Right Channels use Left Attenuations

INFINITE ZERO DETECT ENABLE

Setting the IZD register bit will enable the internal infinite zero detect function:

REGISTER ADDRESS	BIT	LABEL	DEFAULT	DESCRIPTION
10011 DAC Channel Control	2	IZD	0	Infinite zero Mute Enable 0 : disable infinite zero mute 1: enable infinite zero Mute

With IZD enabled, applying 1024 consecutive zero input samples to both DAC channels will cause the outputs to be muted. Mute will be removed as soon as any channel receives a non-zero input.

DAC OUTPUT CONTROL

The DAC output control word determines how the left and right inputs to the audio Interface are applied to the left and right DACs:

REGISTER ADDRESS	BIT	LABEL	DEFAULT	DESCRIPTION		
10011 DAC Control	7:4	PL[3:0]	1001	PL[3:0]	Left Output	Right Output
				0000	Mute	Mute
				0001	Left	Mute
				0010	Right	Mute
				0011	(L+R)/2	Mute
				0100	Mute	Left
				0101	Left	Left
				0110	Right	Left
				0111	(L+R)/2	Left
				1000	Mute	Right
				1001	Left	Right
				1010	Right	Right
				1011	(L+R)/2	Right
				1100	Mute	(L+R)/2
				1101	Left	(L+R)/2
				1110	Right	(L+R)/2
1111	(L+R)/2	(L+R)/2				

DAC ANALOGUE VOLUME CONTROL

The DAC volume may be adjusted independently in both the analogue and digital domain using separate volume control registers.

REGISTER ADDRESS	BIT	LABEL	DEFAULT	DESCRIPTION
00000 Analogue Attenuation DACL	6:0	LA[6:0]	1111111 (0dB)	Attenuation data for Left channel DACL in 1dB steps. See Table 10
	7	LZCEN	0	DACL zero cross detect enable 0: zero cross disabled 1: zero cross enabled
	8	UPDATE	Not latched	Controls simultaneous update of all Attenuation Latches 0: Store LA in intermediate latch (no change to output) 1: Store LA and update attenuation on all channels.
00001 Analogue Attenuation DACR	6:0	RA[6:0]	1111111 (0dB)	Attenuation data for Right channel DACR in 1dB steps. See Table 10
	7	RZCEN	0	DACR zero cross detect enable 0: zero cross disabled 1: zero cross enabled
	8	UPDATE	Not latched	Controls simultaneous update of all Attenuation Latches 0: Store RA in intermediate latch (no change to output) 1: Store RA and update attenuation on all channels.
01000 Master Analogue Attenuation (both channels)	6:0	MASTA[6:0]	1111111 (0dB)	Attenuation data for all channel DAC in 1dB steps. See Table 10
	7	MZCEN	0	Master zero cross detect enable 0: zero cross disabled 1: zero cross enabled
	8	UPDATE	Not latched	Controls simultaneous update of all Attenuation Latches 0: Store gain in intermediate latch (no change to output) 1: Store gain and update attenuation on all channels.

Table 9 Attenuation Register Map

Each DAC channel volume can be controlled digitally in an analogue volume stage after the DAC. Attenuation is 0dB by default but can be set between 0 and -100dB in 1dB steps using the 7 Attenuation control words. All attenuation registers are double latched allowing new values to be pre-latched to several channels before being updated synchronously. Setting the UPDATE bit on any attenuation write will cause all pre-latched values to be immediately applied to the DAC channels. A master attenuation register is also included, allowing all volume levels to be set to the same value in a single write.

Note: The UPDATE bit is not latched. If UPDATE=0, the Attenuation value will be written to the pre-latch but not applied to the relevant DAC. If UPDATE=1, all pre-latched values will be applied from the next input sample. Writing to MASTA[6:0] overwrites any values previously sent to LA[6:0] and RA[6:0].

In addition a zero cross detect circuit is provided for each DAC volume under the control of bit 7 (xZCEN) in each DAC attenuation register. When ZCEN is set the attenuation values are only updated when the input signal to the gain stage is close to the analogue ground level. This minimises audible clicks and 'zipper' noise as the gain values change. A timeout clock is also provided which will generate an update after a minimum of 131072 master clocks (= ~10.5ms with a master clock of 12.288MHz). The timeout clock may be disabled by setting TOD.

	BIT	LABEL	DEFAULT	DESCRIPTION
10011 Timeout Clock Disable	3	TOD	0	DAC Analogue Zero cross detect timeout disable 0 : Timeout enabled 1: Timeout disabled

DAC ANALOGUE OUTPUT ATTENUATION

Register bits LA and RA control the left and right channel attenuation of DAC. Register bits MASTA can be used to control attenuation of both channels.

Table 8 shows how the attenuation levels are selected from the 7-bit words.

L/RA[6:0]	ATTENUATION LEVEL
00(hex)	-∞dB (mute)
:	:
1A(hex)	-∞dB (mute)
1B(hex)	-100dB
:	:
7D(hex)	-2dB
7E(hex)	-1dB
7F(hex)	0dB

Table 10 Analogue Volume Control Attenuation Levels

DAC DIGITAL VOLUME CONTROL

The DAC volume may also be adjusted in the digital domain using independent digital attenuation control registers

REGISTER ADDRESS	BIT	LABEL	DEFAULT	DESCRIPTION
01001 Digital Attenuation DACL	7:0	LDA[7:0]	11111111 (0dB)	Digital Attenuation data for Left channel DACL in 0.5dB steps. See Table 11
	8	UPDATE	Not latched	Controls simultaneous update of all Attenuation Latches 0: Store LDA in intermediate latch (no change to output) 1: Store LDA and update attenuation on all channels
01010 Digital Attenuation DACR	7:0	RDA[6:0]	11111111 (0dB)	Digital Attenuation data for Right channel DACR in 0.5dB steps. See Table 11
	8	UPDATE	Not latched	Controls simultaneous update of all Attenuation Latches 0: Store RDA in intermediate latch (no change to output) 1: Store RDA and update attenuation on all channels.
10001 Master Digital Attenuation (both channels)	7:0	ASTDA[7:0]	11111111 (0dB)	Digital Attenuation data for both DAC channels in 0.5dB steps. See Table 11
	8	UPDATE	Not latched	Controls simultaneous update of all Attenuation Latches 0: Store gain in intermediate latch (no change to output) 1: Store gain and update attenuation on all channels.

L/RDAX[7:0]	ATTENUATION LEVEL
00(hex)	-∞ dB (mute)
01(hex)	-127.5dB
:	:
:	:
:	:
FE(hex)	-0.5dB
FF(hex)	0dB

Table 11 Digital Volume Control Attenuation Levels

The Digital volume control also incorporates a zero cross detect circuit which detects a transition through the zero point before updating the digital volume control with the new volume. This is enabled by control bit DZCEN.

REGISTER ADDRESS	BIT	LABEL	DEFAULT	DESCRIPTION
10011 DAC Control	0	DZCEN	0	DAC Digital Volume Zero Cross Enable: 0: Zero cross detect disabled 1: Zero cross detect enabled

DAC OUTPUT PHASE

The DAC Phase control word determines whether the output of each DAC is non-inverted or inverted

REGISTER ADDRESS	BIT	LABEL	DEFAULT	DESCRIPTION		
10010 DAC Phase	1:0	PH[1:0]	00	Bit	DAC	Phase
				0	DACL	1 = invert
				1	DACR	1 = invert

ADC GAIN CONTROL

Control bits LAG[4:0] and RAG[4:0] control the ADC input gain, allowing the user to attenuate the ADC input signal to match the full-scale range of the ADC. The gain is independently adjustable on left and right inputs. Left and right inputs may also be independently muted. The LRBOTH control bit allows the user to write the same attenuation value to both left and right volume control registers. The ADC volume and mute also applies to the bypass signal path.

REGISTER ADDRESS	BIT	LABEL	DEFAULT	DESCRIPTION
11001 Attenuation ADCL	4:0	LAG[4:0]	01100 (0dB)	Attenuation data for Left channel ADC gain in 1dB steps. See Table 12
	5	MUTE	0	Mute for Left channel ADC: 0: Mute off 1: Mute on
	6	LRBOTH	0	Setting LRBOTH will write the same gain value to LAG[4:0] and RAG[4:0]
11010 Attenuation ADCR	4:0	RAG[4:0]	01100 (0dB)	Attenuation data for right channel ADC gain in 1dB steps. See Table 12
	5	MUTE	0	Mute for Right channel ADC: 0: Mute off 1: Mute on
	6	LRBOTH	0	Setting LRBOTH will write the same gain value to RAG[4:0] and LAG[4:0]

ADC INPUT GAIN

Registers LAG and RAG control the left and right channel gain into the stereo ADC in 1dB steps from +19dB to -12dB Table 8 shows how the attenuation levels are selected from the 5-bit words.

L/RAG[6:0]	ATTENUATION LEVEL
0	-12dB
:	:
01100	0dB
:	:
11111	+19dB

Table 12 ADC Gain Control

ADC HIGHPASS FILTER DISABLE

The ADC digital filters contain a digital highpass filter. This defaults to enabled and can be disabled using software control bit ADCHPD.

REGISTER ADDRESS	BIT	LABEL	DEFAULT	DESCRIPTION
10110 ADC control	8	ADCHPD	0	ADC Highpass filter disable: 0: Highpass filter enabled 1: Highpass filter disabled

ADC INPUT MUX AND POWERDOWN CONTROL

REGISTER ADDRESS	BIT	LABEL	DEFAULT	DESCRIPTION
11011 ADC mux and powerdown control	2:0	LMX[2:0]	000	ADC left channel input mux control bits (see Table 13)
	6:4	RMX[2:0]	000	ADC right channel input mux control bits (see Table 13)
	8	AINPD	1	Input mux and buffer powerdown 0: Input mux and buffer enabled 1: Input mux and buffer powered down

Register bits LMX and RMX control the left and right channel inputs into the stereo ADC. The default is AIN1. However if the analogue input buffer is powered down, by setting AINPD, then all 8-channel mux inputs are switched to buffered VMIDADC.

LMX[2:0]	LEFT ADC INPUT	RMX[2:0]	RIGHT ADC INPUT
000	AIN1L	000	AIN1R
001	AIN2L	001	AIN2R
010	AIN3L	010	AIN3R
011	AIN4L	011	AIN4R
100	AIN5L	100	AIN5R
101	AIN6L	101	AIN6R
110	AIN7L	110	AIN7R
111	AIN8L	111	AIN8R

Table 13 ADC Input Mux Control

OUTPUT SELECT AND ENABLE CONTROL

Register bits MX controls the output selection. The output select block consists of a summing stage and an input select switch for each input allowing each signal to be output individually or summed with other signals and output on the analogue output. The default for the output is DAC playback only. VOUT may be selected to output DAC playback, AUX, analogue bypass or a sum of these using the output select controls MX[2:0]. For example, to select sum of DAC and AUX, set MX[2:0] to 110.

The output mixer and EVR can be powered down under control of OUTPD. Setting OUTPD will power off the mixer and EVR and switch the analogue outputs VOUTL/R to VMIDDAC to maintain a dc level on the output.

REGISTER ADDRESS	BIT	LABEL	DEFAULT	DESCRIPTION
11100	2:0	MX[2:0]	001 (DAC playback)	VOUT Output select (see Figure 18)
Output mux And Powerdown control	7	OUTPD	1	Mixer and EVR Powerdown select 0: mixer and EVR enabled 1: mixer and EVR powered down

MX[2:0] selects the output for VOUT.

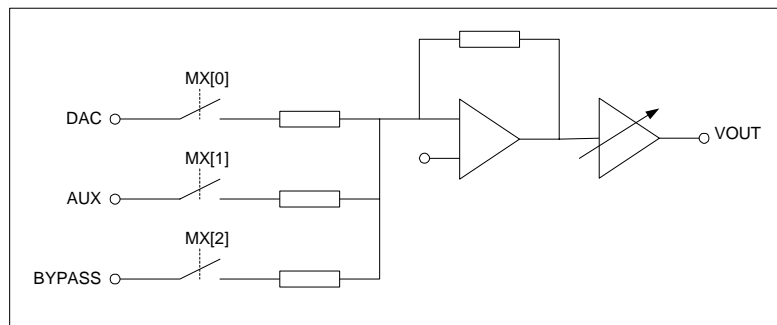


Figure 18 MX[2:0] Output Select

SOFTWARE REGISTER RESET

Writing to register 11111 will cause a register reset, resetting all register bits to their default values.

REGISTER MAP

The complete register map is shown below. The detailed description can be found in the relevant text of the device description. The WM8774 can be configured using the Control Interface. All unused bits should be set to '0'.

REGISTER	B15	B14	B13	B12	B11	B10	B9	B8	B7	B6	B5	B4	B3	B2	B1	B0	DEFAULT
R0(00h)	0	0	0	0	0	0	0	UPDATE	LZCEN	LA[6:0]							X01111111
R1(01h)	0	0	0	0	0	0	1	UPDATE	RZCEN	RA[6:0]							X01111111
R8(08h)	0	0	0	1	0	0	0	UPDATE	MZCEN	MASTA[6:0]							X01111111
R9(09h)	0	0	0	1	0	0	1	UPDATE	LDA[7:0]							X11111111	
R10(0Ah)	0	0	0	1	0	1	0	UPDATE	RDA[7:0]							X11111111	
R17(11h)	0	0	1	0	0	0	1	UPDATE	MASTDA[7:0]							X11111111	
R18(12h)	0	0	1	0	0	1	0	x	PHASE[7:0]							00000000	
R19(13h)	0	0	1	0	0	1	1	x	PL			TOD	IZD	ATC	DZCEN	010010000	
R20(14h)	0	0	1	0	1	0	0	x	x	x	RECEN	x	x	x	x	DMUTE	00000000
R21(15h)	0	0	1	0	1	0	1	x	x	x	x	x	x	x	x	DEEM P	00000000
R22(16h)	0	0	1	0	1	1	0	ADCHPD	x	x	WL[1:0]		BCP	LRP	FMT[1:0]		000100010
R23(17h)	0	0	1	0	1	1	1	MS	x	DACRATE[2:0]			ADCOS R	ADCRATE[2:0]			000010010
R24(18h)	0	0	1	1	0	0	0	x	x	x	x	x	x	DACD	ADCD	PWDN	000111110
R25(19h)	0	0	1	1	0	0	1	x	ADCMUTE	LRBOTH	MUTE		LAG[4:0]				000001100
R26(1Ah)	0	0	1	1	0	1	0	x	x	LRBOTH	MUTE		RAG[4:0]				000001100
R27(1Bh)	0	0	1	1	0	1	1	AINPD	0	RMX[2:0]			x	LMX[2:0]			100000000
R28(1Ch)	0	0	1	1	1	0	0	x	OUTPD	x	x	x	x	MX[2:0]			110001001
R31(1Fh)	0	0	1	1	1	1	1	RESET								not reset	
	ADDRESS							DATA									DEFAULT

REGISTER ADDRESS	BIT	LABEL	DEFAULT	DESCRIPTION
00000 Analogue Attenuation DACL	6:0	LA[6:0]	1111111 (0dB)	Attenuation data for Left channel DACL in 1dB steps. See Table 10
	7	LZCEN	0	DACL zero cross detect enable 0: zero cross disabled 1: zero cross enabled
	8	UPDATE	Not latched	Controls simultaneous update of all Attenuation Latches 0: Store DACL in intermediate latch (no change to output) 1: Store DACL and update attenuation on all channels.
00001 Analogue Attenuation DACR	6:0	RA[6:0]	1111111 (0dB)	Attenuation data for Right channel DACR in 1dB steps. See Table 10
	7	RZCEN	0	DACR zero cross detect enable 0: zero cross disabled 1: zero cross enabled
	8	UPDATE	Not latched	Controls simultaneous update of all Attenuation Latches 0: Store DACR in intermediate latch (no change to output) 1: Store DACR and update attenuation on all channels.
01000 Analogue Master Attenuation (both channels)	6:0	MASTA[6:0]	1111111 (0dB)	Attenuation data for all DAC gains in 1dB steps. See Table 10
	7	MZCEN	0	Master zero cross detect enable 0: zero cross disabled 1: zero cross enabled
	8	UPDATE	Not latched	Controls simultaneous update of all Attenuation Latches 0: Store gains in intermediate latch (no change to output) 1: Store gains and update attenuation on all channels.
01001 Digital Attenuation DACL	7:0	LDA[7:0]	11111111 (0dB)	Digital Attenuation data for Left channel DACL in 0.5dB steps. See Table 11
	8	UPDATE	Not latched	Controls simultaneous update of all Attenuation Latches 0: Store LDA in intermediate latch (no change to output) 1: Store LDA and update attenuation on all channels
01010 Digital Attenuation DACR	7:0	RDA[6:0]	11111111 (0dB)	Digital Attenuation data for Right channel DACR in 0.5dB steps. See Table 11
	8	UPDATE	Not latched	Controls simultaneous update of all Attenuation Latches 0: Store RDA in intermediate latch (no change to output) 1: Store RDA and update attenuation on all channels.
10001 Master Digital Attenuation (both channels)	7:0	MASTDA[7:0]	11111111 (0dB)	Digital Attenuation data for both DAC channels in 0.5dB steps. See Table 11
	8	UPDATE	Not latched	Controls simultaneous update of all Attenuation Latches 0: Store gain in intermediate latch (no change to output) 1: Store gain and update attenuation on all channels.
10010 Phase swaps	1:0	PH	00	Controls phase of DAC outputs 0: Sets non inverted output phase 1: inverts phase of DAC output

REGISTER ADDRESS	BIT	LABEL	DEFAULT	DESCRIPTION					
10011 DAC Control	0	DZCEN	0	DAC Digital Volume Zero Cross Enable: 0: Zero Cross detect disabled 1: Zero Cross detect enabled					
	1	ATC	0	Attenuator Control 0: All DACs use attenuations as programmed. 1: Right channel DACs use corresponding left DAC attenuations					
	2	IZD	0	Infinite zero detection circuit control and automute control 0: Infinite zero detect automute disabled 1: Infinite zero detect automute enabled					
	3	TOD	0	DAC Analogue Zero cross detect timeout disable 0 : Timeout enabled 1: Timeout disabled					
	7:4	PL[3:0]	1001	DAC Output Control					
				PL[3:0]	Left Output	Right Output	PL[3:0]	Left Output	Right Output
				0000	Mute	Mute	1000	Mute	Right
				0001	Left	Mute	1001	Left	Right
				0010	Right	Mute	1010	Right	Right
				0011	(L+R)/2	Mute	1011	(L+R)/2	Right
0100				Mute	Left	1100	Mute	(L+R)/2	
0101				Left	Left	1101	Left	(L+R)/2	
0110	Right	Left	1110	Right	(L+R)/2				
0111	(L+R)/2	Left	1111	(L+R)/2	(L+R)/2				
10100 DAC Mute	0	DMUTE	0	DAC channel soft mute enables: 0: mute disabled 1: mute enabled					
	5	RECEN	0	REC Output Enable 0 : REC output muted 1: REC output enabled					
10101 DAC Control	3:0	DEEMP	0	De-emphasis mode select: 0 : Normal Mode 1: De-emphasis Mode					
10110 Interface Control	1:0	FMT[1:0]	10	Interface format select 00: right justified mode 01: left justified mode 10: I ² S mode 11: DSP mode					
	2	LRP	0	ADCLRC/DACLRC Polarity or DSP Early/Late mode select Left Justified / Right Justified / I ² S 0: Standard DACLRC Polarity 1: Inverted DACLRC Polarity					
				DSP Mode 0: Early DSP mode 1: Late DSP mode					

REGISTER ADDRESS	BIT	LABEL	DEFAULT	DESCRIPTION
	3	BCP	0	BITCLK Polarity 0: Normal - DIN, DACLRC & ADCLRC sampled on rising edge of BCLK; DOUT changes on falling edge of BCLK. 1: Inverted - DIN, DACLRC & ADCLRC sampled on falling edge of BCLK; DOUT changes on rising edge of BCLK.
	5:4	WL[1:0]	10	Input Word Length 00: 16-bit Mode 01: 20-bit Mode 10: 24-bit Mode 11: 32-bit Mode (not supported in right justified mode)
	8	ADCHPD	0	ADC Highpass Filter Disable: 0: Highpass Filter enabled 1: Highpass Filter disabled
10111 Master Mode control	2:0	ADCRATE[2:0]	010	Master Mode MCLK:ADCLRC ratio select: 010: 256fs 011: 384fs 100: 512fs
	3	ADCOSR	0	ADC oversample rate select 0: 128x oversampling 1: 64x oversampling
	6:4	DACRATE[2:0]	010	Master Mode MCLK:DACLRC ratio select: 000: 128fs 001: 192fs 010: 256fs 011: 384fs 100: 512fs
	8	MS	0	Maser/Slave interface mode select 0: Slave Mode – ADCLRC, DACLRC and BCLK are inputs 1: Master Mode – ADCLRC, DACLRC and BCLK are outputs
11000 Powerdown Control	0	PWDN	0	Chip Powerdown Control (works in tandem with ADCD and DACD): 0: All circuits running, outputs are active 1: All circuits in power save mode, outputs muted
	1	ADCD	1	ADC powerdown: 0: ADC enabled 1: ADC disabled
	2	DACD	1	DAC powerdown 0: DAC enabled 1: DAC disabled
11001 Attenuation ADCL	4:0	LAG[4:0]	01100 (0dB)	Attenuation data for left channel ADC gain in 1dB steps
	5	MUTE	0	Mute for Left channel ADC: 0: Mute off 1: Mute on
	6	LRBOTH	0	Setting LRBOTH will write the same gain value to LAG[4:0] and RAG[4:0]
	7	ADCMUTE	0	Mute for Left and Right channel ADC: 0: Mute off 1: Mute on

REGISTER ADDRESS	BIT	LABEL	DEFAULT	DESCRIPTION
11010 Attenuation ADCR	4:0	RAG[4:0]	01100 (0dB)	Attenuation data for right channel ADC gain in 1dB steps
	5	MUTE	0	Mute for Right channel ADC: 0: Mute off 1: Mute on
	6	LRBOTH	0	Setting LRBOTH will write the same gain value to RAG[4:0] and LAG[4:0]
11011 ADC mux control	2:0	LMX[2:0]	000	ADC left channel input mux control bits
	6:4	RMX[2:0]	000	ADC right channel input mux control bits
	8	AINPD	1	
11100 Output mux and powerdown control	2:0	MX[2:0]	001	VOUT1 Output select (see Figure 18)
	8:7	OUTPD	1	Mixer and EVR Powerdown select 0: mixer and EVR enabled 1: mixer and EVR powered down
11111 Software reset	[8:0]	RESET	Not reset	Writing to this register will apply a reset to the device registers.

Table 14 Register Map Description

DIGITAL FILTER CHARACTERISTICS

PARAMETER	TEST CONDITIONS	MIN	TYP	MAX	UNIT
ADC Filter					
Passband	± 0.01 dB	0		0.4535fs	
	-6dB		0.5fs		
Passband ripple				± 0.01	dB
Stopband		0.5465fs			
Stopband Attenuation	$f > 0.5465$ fs	-65			dB
Group Delay			22		fs
DAC Filter					
Passband	± 0.05 dB			0.444fs	
	-3dB		0.487fs		
Passband ripple				± 0.05	dB
Stopband		0.555fs			
Stopband Attenuation	$f > 0.555$ fs	-60			dB
Group Delay			16		fs

Table 15 Digital Filter Characteristics

DAC FILTER RESPONSES

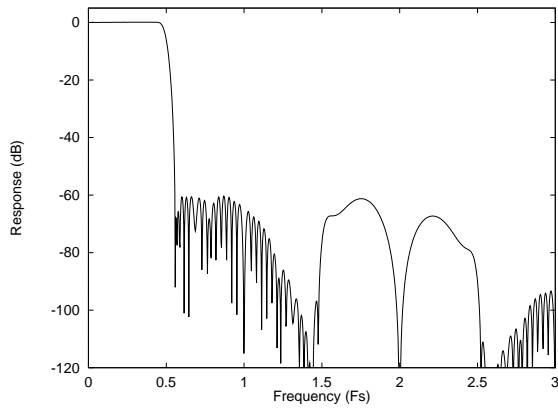


Figure 19 DAC Digital Filter Frequency Response – 44.1, 48 and 96kHz

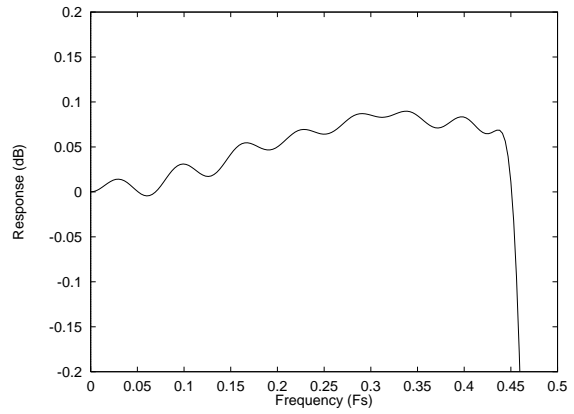


Figure 20 DAC Digital Filter Ripple – 44.1, 48 and 96kHz

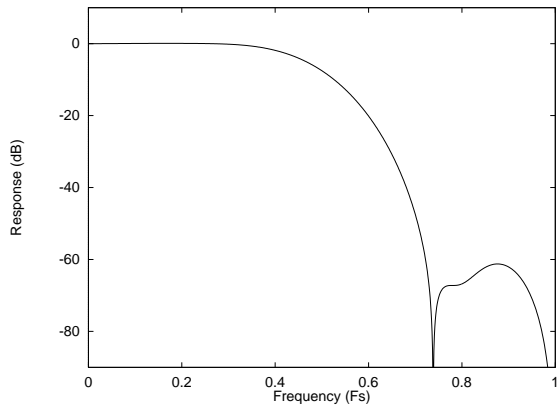


Figure 21 DAC Digital Filter Frequency Response – 192kHz

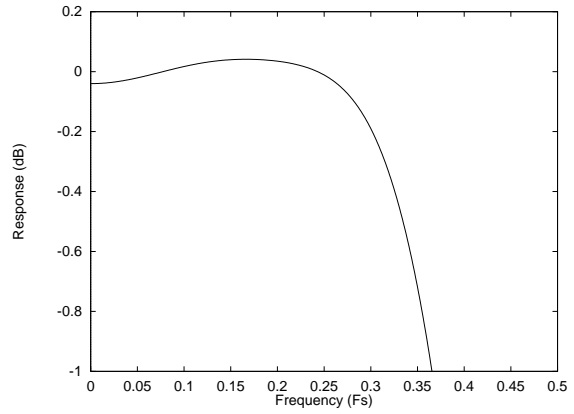


Figure 22 DAC Digital filter Ripple - 192kHz

ADC FILTER RESPONSES

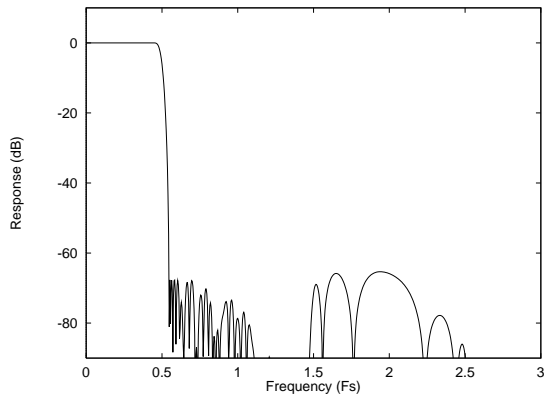


Figure 23 ADC Digital Filter Frequency Response

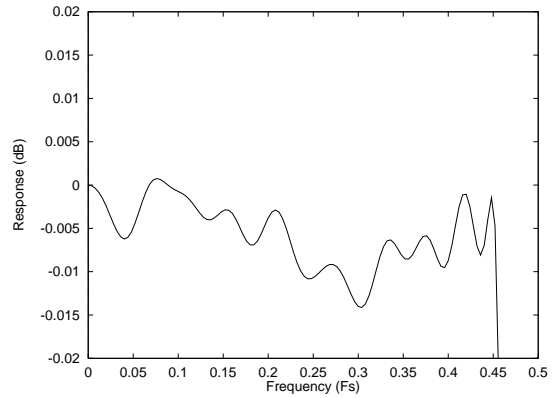


Figure 24 ADC Digital Filter Ripple

ADC HIGH PASS FILTER

The WM8774 has a selectable digital highpass filter to remove DC offsets. The filter response is characterised by the following polynomial.

$$H(z) = \frac{1 - z^{-1}}{1 - 0.9995z^{-1}}$$

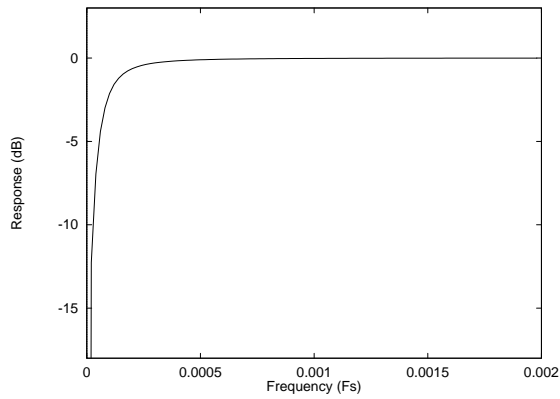


Figure 25 ADC Highpass Filter Response

DIGITAL DE-EMPHASIS CHARACTERISTICS

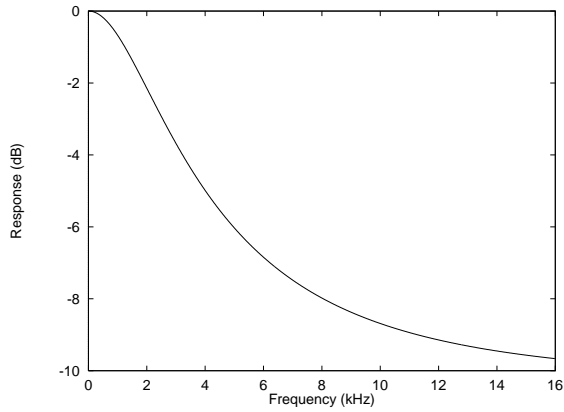


Figure 26 De-Emphasis Frequency Response (32kHz)

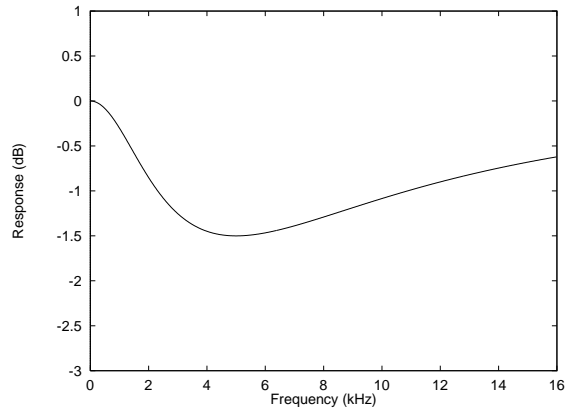


Figure 27 De-Emphasis Error (32kHz)

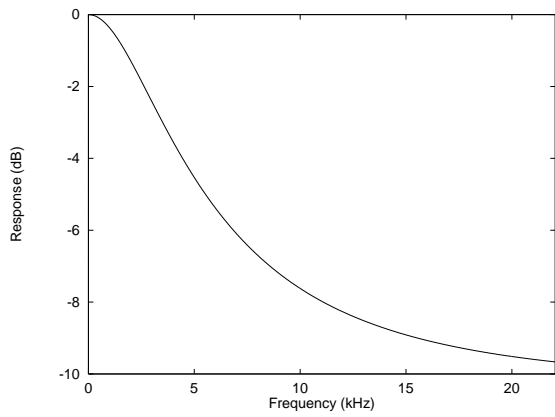


Figure 28 De-Emphasis Frequency Response (44.1kHz)

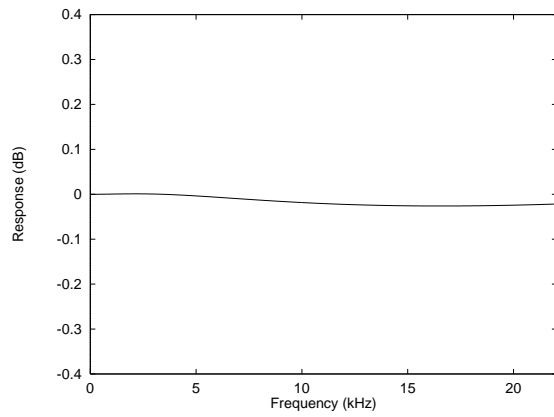


Figure 29 De-Emphasis Error (44.1kHz)

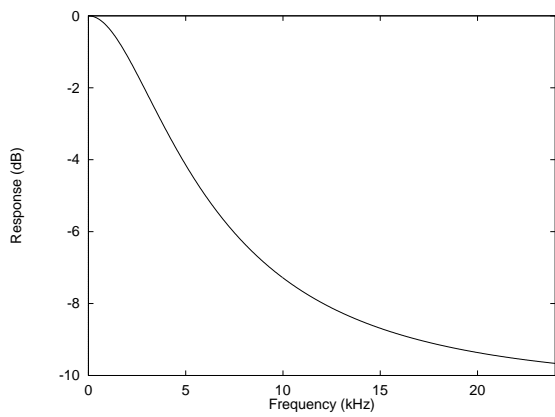


Figure 30 De-Emphasis Frequency Response (48kHz)

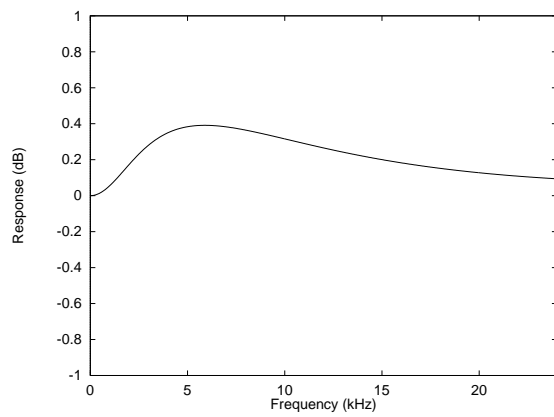


Figure 31 De-Emphasis Error (48kHz)

EXTERNAL CIRCUIT CONFIGURATION

In order to allow the use of 2V rms and larger inputs to the ADC and AUX inputs, a structure is used that uses external resistors to drop these larger voltages. This also increases the robustness of the circuit to external abuse such as ESD pulse.

Figure 32 shows the ADC input multiplexor circuit with external components allowing 2Vrms inputs to be applied.

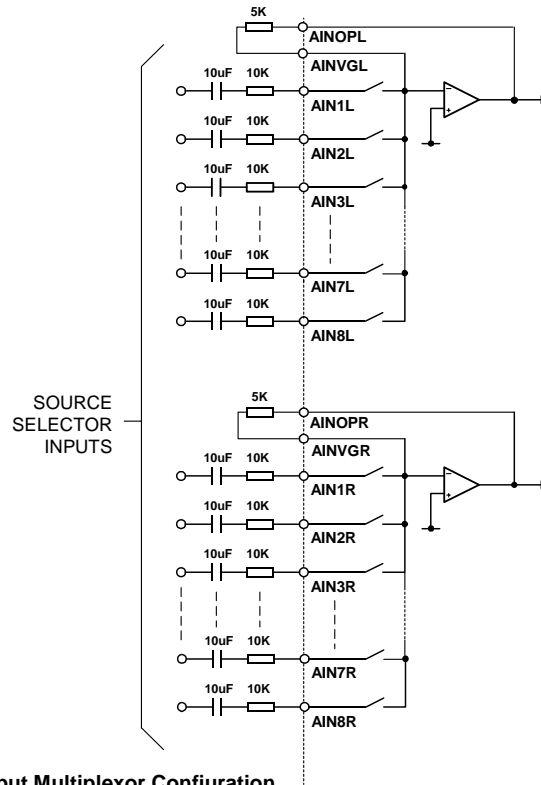


Figure 32 ADC Input Multiplexor Configuration

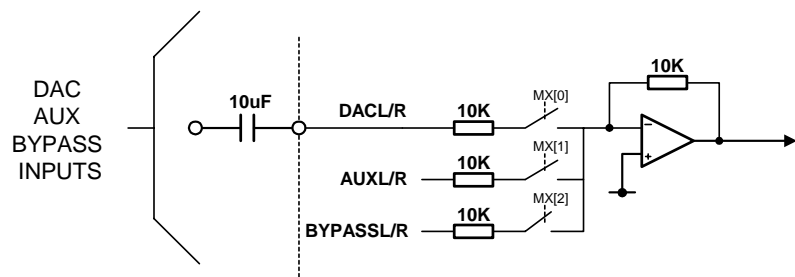


Figure 33 5.1 Channel Input Multiplexor Configuration

RECOMMENDED EXTERNAL COMPONENTS

It is recommended that a lowpass filter be applied to the output from each DAC channel for Hi Fi applications. Typically a second order filter is suitable and provides sufficient attenuation of high frequency components (the unique low order, high bit count multi-bit sigma delta DAC structure used in WM8774 produces much less high frequency output noise than competitors devices). This filter is typically also used to provide the 2x gain needed to provide the standard 2Vrms output level from most consumer equipment. Figure 34 shows a suitable post DAC filter circuit, with 2x gain. Alternative inverting filter architectures might also be used with as good results.

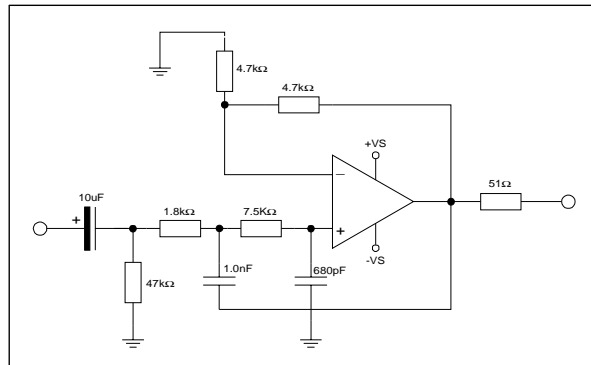
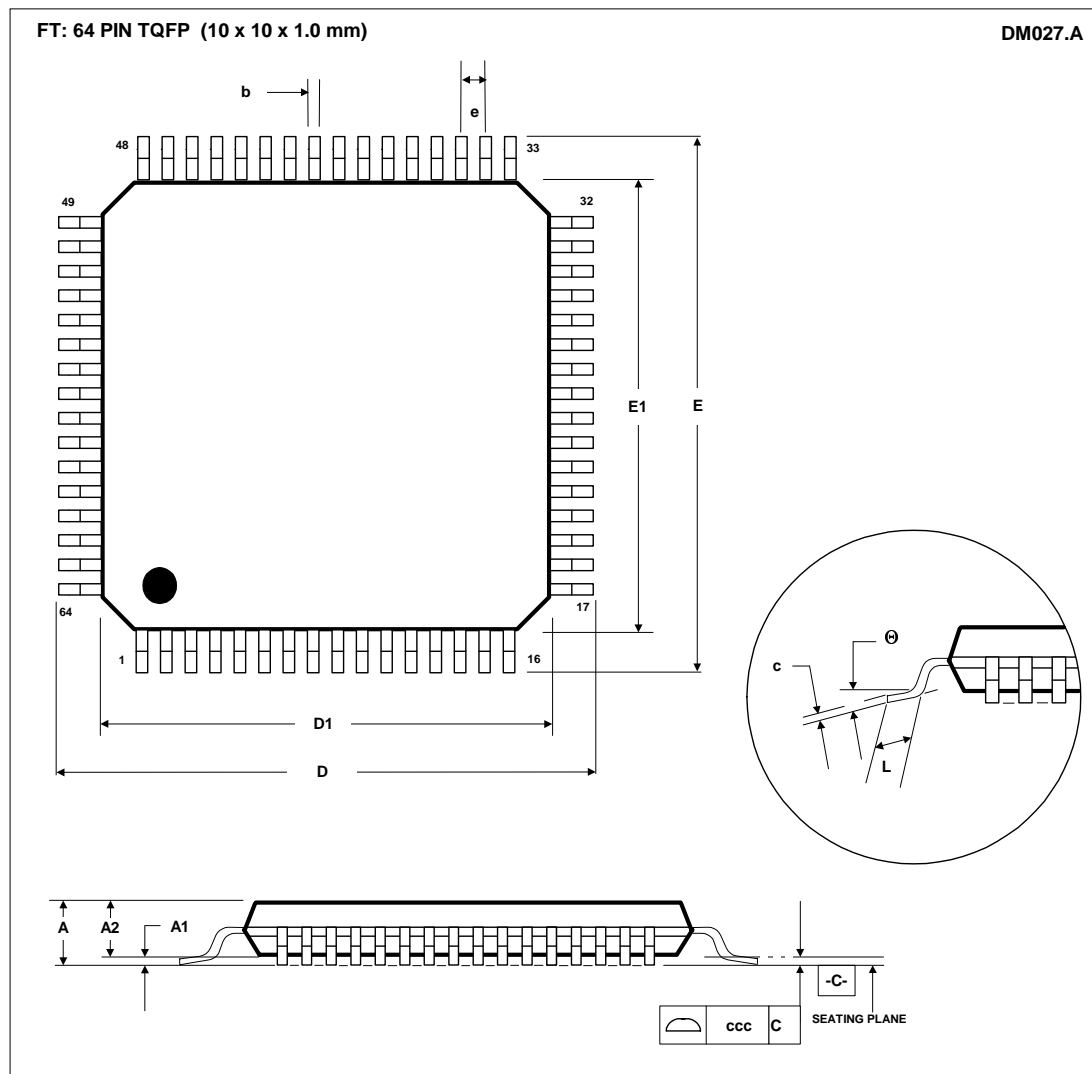


Figure 34 Recommended Post DAC Filter Circuit

PACKAGE DIMENSIONS



Symbols	Dimensions (mm)		
	MIN	NOM	MAX
A	-----	-----	1.20
A ₁	0.05	-----	0.15
A ₂	0.95	1.00	1.05
b	0.17	0.22	0.27
c	0.09	-----	0.20
D	12.00 BSC		
D ₁	10.00 BSC		
E	12.00 BSC		
E ₁	10.00 BSC		
e	0.50 BSC		
L	0.45	0.60	0.75
θ	0°	3.5°	7°
Tolerances of Form and Position			
ccc	0.08		
REF:	JEDEC.95, MS-026		

NOTES:
 A. ALL LINEAR DIMENSIONS ARE IN MILLIMETERS.
 B. THIS DRAWING IS SUBJECT TO CHANGE WITHOUT NOTICE.
 C. BODY DIMENSIONS DO NOT INCLUDE MOLD FLASH OR PROTRUSION, NOT TO EXCEED 0.25MM.
 D. MEETS JEDEC.95 MS-026, VARIATION = ACD. REFER TO THIS SPECIFICATION FOR FURTHER DETAILS.

IMPORTANT NOTICE

Wolfson Microelectronics Ltd (WM) reserve the right to make changes to their products or to discontinue any product or service without notice, and advise customers to obtain the latest version of relevant information to verify, before placing orders, that information being relied on is current. All products are sold subject to the WM terms and conditions of sale supplied at the time of order acknowledgement, including those pertaining to warranty, patent infringement, and limitation of liability.

WM warrants performance of its products to the specifications applicable at the time of sale in accordance with WM's standard warranty. Testing and other quality control techniques are utilised to the extent WM deems necessary to support this warranty. Specific testing of all parameters of each device is not necessarily performed, except those mandated by government requirements.

In order to minimise risks associated with customer applications, adequate design and operating safeguards must be used by the customer to minimise inherent or procedural hazards.

WM assumes no liability for applications assistance or customer product design. WM does not warrant or represent that any license, either express or implied, is granted under any patent right, copyright, mask work right, or other intellectual property right of WM covering or relating to any combination, machine, or process in which such products or services might be or are used. WM's publication of information regarding any third party's products or services does not constitute WM's approval, license, warranty or endorsement thereof.

Reproduction of information from the WM web site or datasheets is permissible only if reproduction is without alteration and is accompanied by all associated warranties, conditions, limitations and notices. Representation or reproduction of this information with alteration voids all warranties provided for an associated WM product or service, is an unfair and deceptive business practice, and WM is neither responsible nor liable for any such use.

Resale of WM's products or services with statements different from or beyond the parameters stated by WM for that product or service voids all express and any implied warranties for the associated WM product or service, is an unfair and deceptive business practice, and WM is not responsible nor liable for any such use.

ADDRESS:

Wolfson Microelectronics Ltd
20 Bernard Terrace
Edinburgh
EH8 9NX
United Kingdom

Tel :: +44 (0)131 272 7000

Fax :: +44 (0)131 272 7001

Email :: sales@wolfsonmicro.com

REVISION HISTORY

DATE	REV	ORIGINATOR	CHANGES