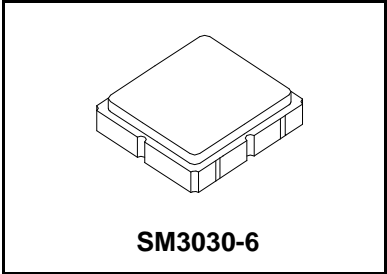




SF1192B

**1842.5 MHz
SAW Filter**



- **RF Filter for Mobile Communication Applications**
- **No Matching Circuit Required**
- **3.0 x 3.0 x 1.3 mm Package**
- **Complies with Directive 2002/95/EC (RoHS)** 

Absolute Maximum Ratings

Rating	Value	Units
Maximum Input Power	+10	dBm
DC voltage between Terminals	0	VDC
Case Temperature	-40 to +85	°C
Suitable for lead-free soldering - Max Soldering Temperature	260°C for 30 s	

Electrical Characteristics

Characteristic	Sym	Notes	Min	Typ	Max	Units
Nominal Operating Frequency	f_C			1842.5		MHz
Passband		Insertion Loss across $F_c \pm 37.5$ MHz		2.2	3.8	dB
		Amplitude Ripple p-p across $F_c \pm 37.5$ MHz		1.3	2.3	dB
Attenuation		1542.5 ~ 1600 MHz	20.0	24.5		dB
		1600 ~ 1710 MHz	22.0	25.0		dB
		1710 ~ 1785 MHz	10.0	23.5		dB
		1920 ~ 2142.5 MHz	25.0	28.0		dB
VSWR across $F_c \pm 37.5$ MHz				1.9	2.6	
Source impedance	Z_S			50		Ω
Load impedance	Z_L			50		Ω
Operating Temperature	T_A		-30		+85	°C

Case Style	SM3030-6 3 x 3 mm Nominal Footprint
Lid Symbolization (Y=year, WW=week, S=Shift)	454 YWWD

Electrical Connections

Connection	Terminals
Input	2
Output	5
Ground	All others

Notes:

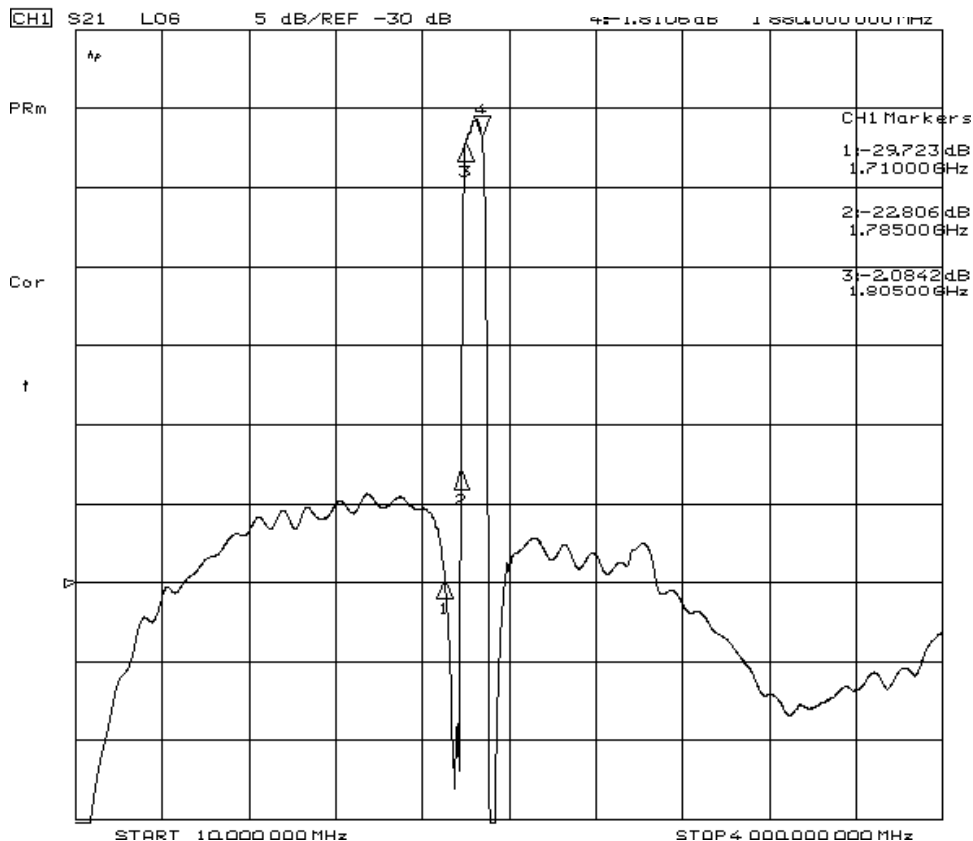
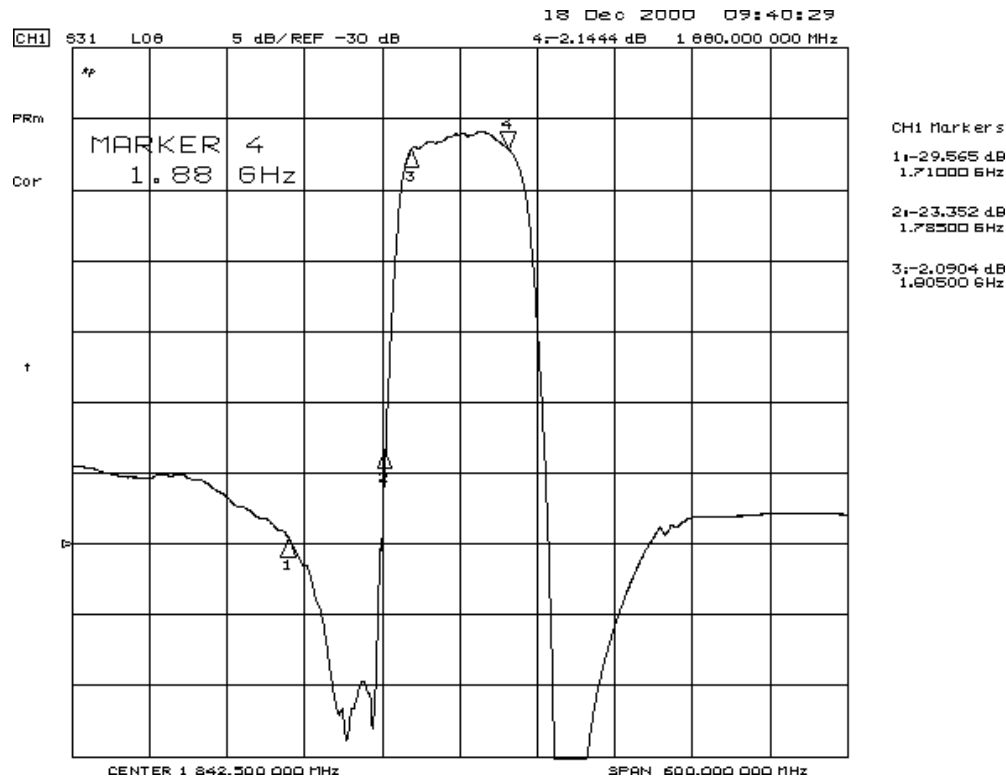
1. Unless noted otherwise, all specifications apply over the operating temperature range with filter soldered to the specified demonstration board with impedance matching to 50 Ω and measured with 50 Ω network analyzer.
2. Unless noted otherwise, all frequency specifications are referenced to the nominal center frequency, f_c .
3. The design, manufacturing process, and specifications of this filter are subject to change.
4. Either Port 1 or Port 2 may be used for either input or output in the design. However, impedances and impedance matching may vary

between Port 1 and Port 2, so that the filter must always be installed in one direction per the circuit design.

5. US and international patents may apply.
6. RFM, stylized RFM logo, and RF Monolithics, Inc. are registered trademarks of RF Monolithics, Inc.
7. ©Copyright 1999, RF Monolithics Inc.
8. Electrostatic Sensitive Device. Observe precautions for handling.

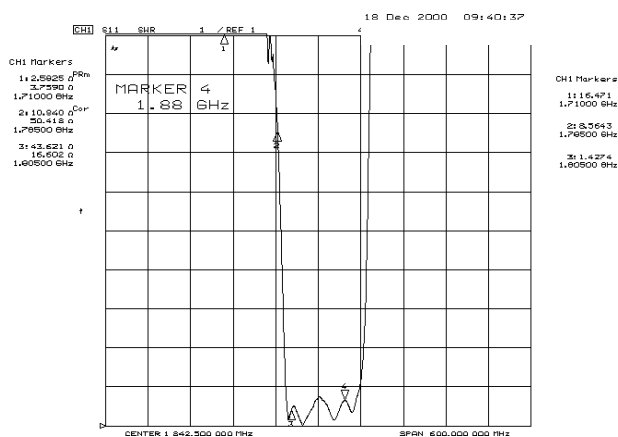
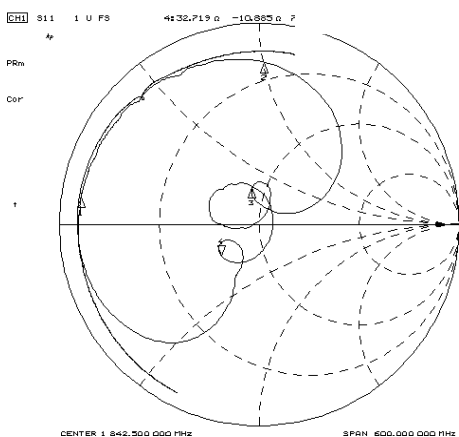


Frequency Characteristics: Transfer Function

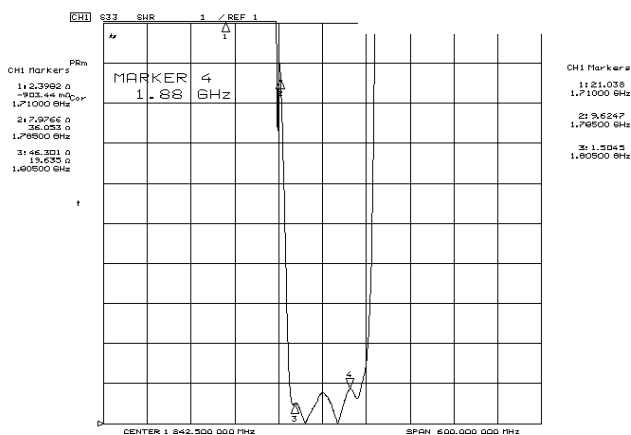
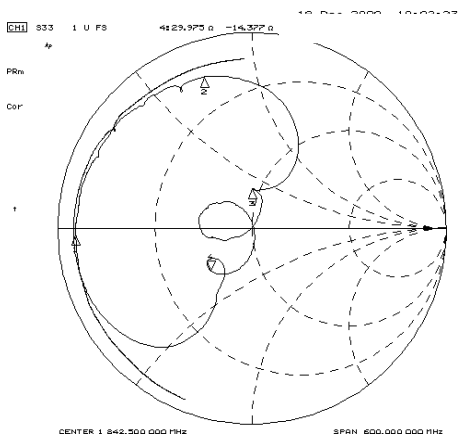


Reflections Functions:

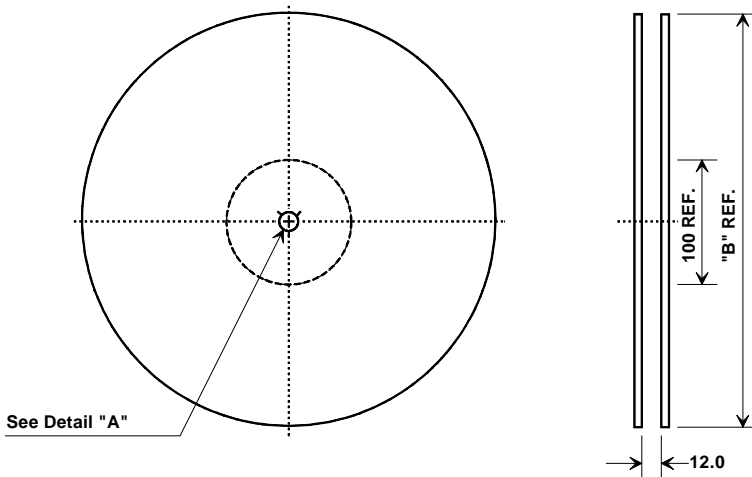
S11 VSWR



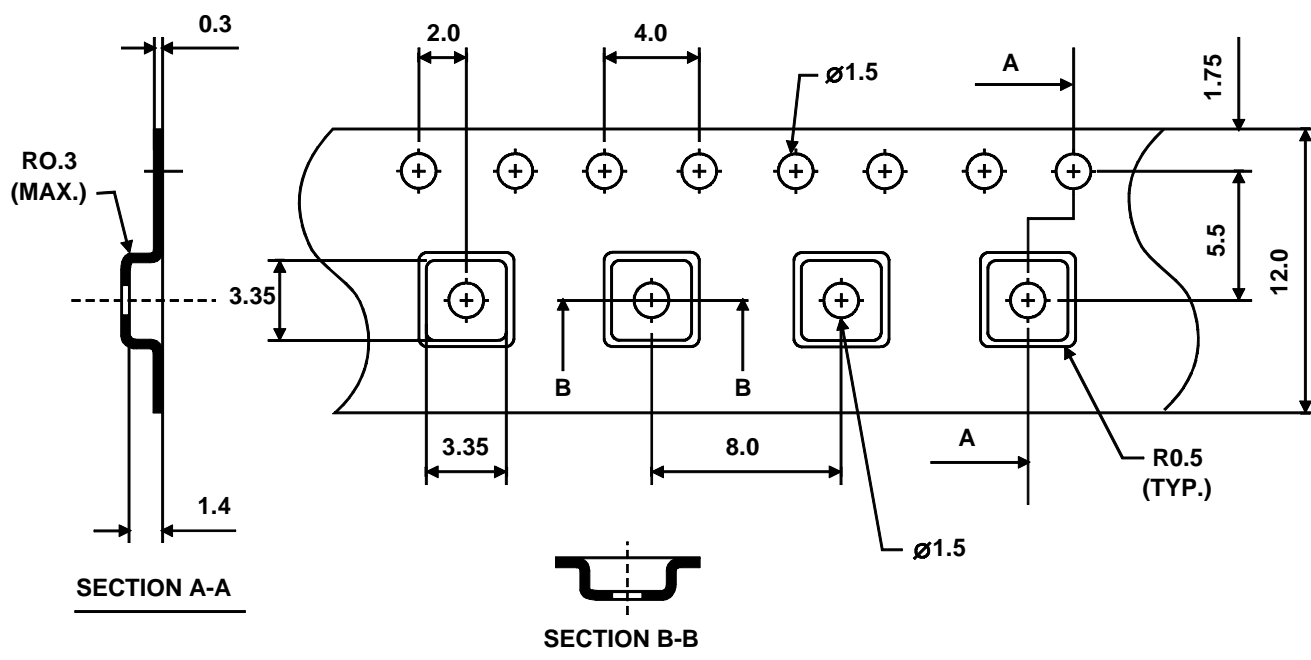
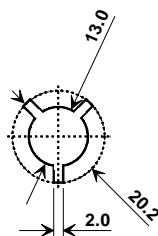
S22 VSWR



Tape and Reel Specifications

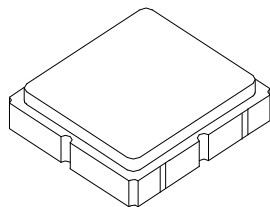


"B" Nominal Size		Quantity Per Reel	
Inches	millimeters	Min	Max
7	178	TBD	TBD
13	330	TBD	TBD



SM3030-6 Case

6-Terminal Ceramic Surface-Mount Case
3.0 X 3.0 mm Nominal Footprint



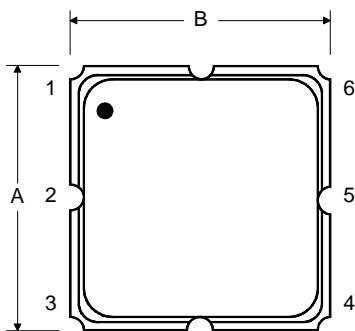
Case Dimensions

Dimension	mm			Inches		
	Min	Nom	Max	Min	Nom	Max
A		3.0			0.118	
B		3.0			0.118	
C		1.3			0.051	
D		0.9			0.035	
E		2.54			0.100	
F		1.6			0.063	
G		0.85			0.033	
H		1.5			0.059	
I		0.6			0.024	
J		1.3			0.051	

Electrical Connections

Connection		Terminals
Port 1	Single Ended Input	2
Port 2	Single Ended Output	5
	Ground	All others
Single Ended Operation Only		
Dot indicates Pin 1		

TOP VIEW



BOTTOM VIEW

