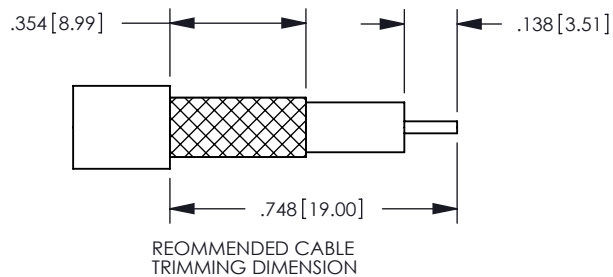
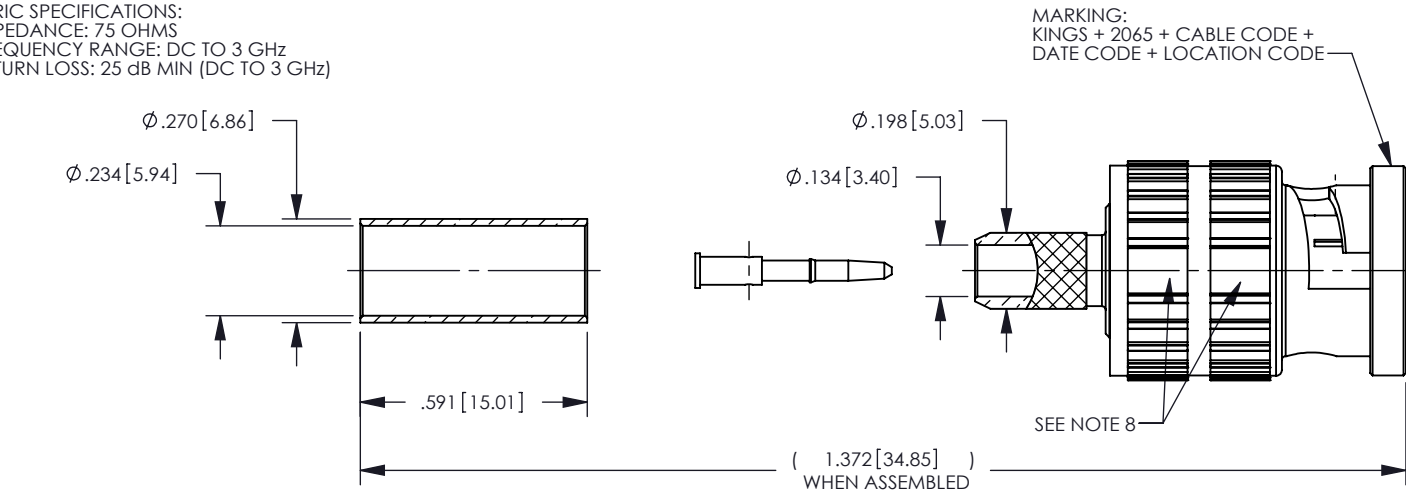


NOTES: UNLESS OTHERWISE SPECIFIED

1. FOR GENERAL SERIES SPECIFICATIONS, SEE SDPRF-206.
2. MATERIAL SPECIFICATIONS:
 BAYONET SLEEVE, BODY, CONTACT, FERRULE: BRASS PER ASTM B16
 INSULATOR: TEFLON PER ASTM D1710
 SPRING WASHER, OUTER CONTACT: BERYLLIUM COPPER, ASTM-B-194
 GASKET: SILICONE RUBBER
3. FINISH SPECIFICATIONS:
 BAYONET SLEEVE, BODY, FERRULE: .000100MIN NICKEL PER AMS-QQ-N-290
 OVER COPPER FLASH PER ASTM B734 (ROHS)
 CONTACT: .000030 MIN. GOLD PER ASTM B488, OVER NICKEL PER AMS-QQ-N-290 (ROHS)
 SPRING WASHER: .000200 MIN SILVER PER QQ-S-365 OVER COPPER PER ASTM B734 (ROHS)
 ALL OTHER METAL PARTS: .000050 MIN NICKEL PER AMS-QQ-N290 OVER
 .000050 MIN COPPER PER ASTM B734 (ROHS)
4. CONTACT AND FERRULE SHIPPED LOOSE.
5. FOR USE WITH TACHII CABLE TCX-3CHD OR EQUIVALENT.
6. FOR CRIMPING USE KINGS KTH-5000 & KTH-5005 (.232 HEX, .054 SQUARE FLAT).
7. ASSEMBLE TO CABLE USING CAP-E01.
8. THESE AREA DONT HAVE WHITE MARKING.
9. ELECTRIC SPECIFICATIONS:
 IMPEDANCE: 75 OHMS
 FREQUENCY RANGE: DC TO 3 GHz
 RETURN LOSS: 25 dB MIN (DC TO 3 GHz)

REV	DESCRIPTION	BY DATE	APPD
B	RELEASED PER ECR-ER22654	02/15/10 CY	CTC



CATALOG P/N: 2065-E00-3CH02N

PER ASME Y14.5M-1994 UNLESS OTHERWISE SPECIFIED: DIMENSIONS ARE IN INCHES [MM] TOLERANCES: DECIMAL: .XX [X.X] ± .01 [0.3] .XXX [X.XX] ± .005 [0.13] .XXXX [X.XXX] ± .XXXX ANGLES: ± 2° SCALE: 2:1				 by WINCHESTER <small>ELECTRONICS</small> Winchester Electronics Corporation 62 Barnes Industrial Road North Wallingford, Connecticut 06492	
CUSTOMER SALES DRAWING			THIRD ANGLE 		
DRAWN	DATE	APPROVED	DATE	BNC 75 PLUG FOR TACHII TCX-3CHD (ROHS COMPLIANT)	
CY	04/08/09	CTC	04/08/09		
APPROVED	DATE	APPROVED	DATE	A SD2065-E00-3CH02N	SHT OF REV 1 1 B
XXX	XX/XX/XX	XXX	XX/XX/XX		