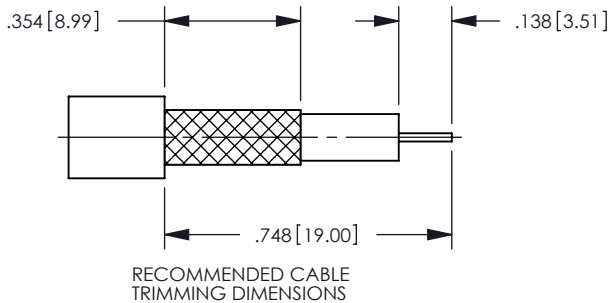
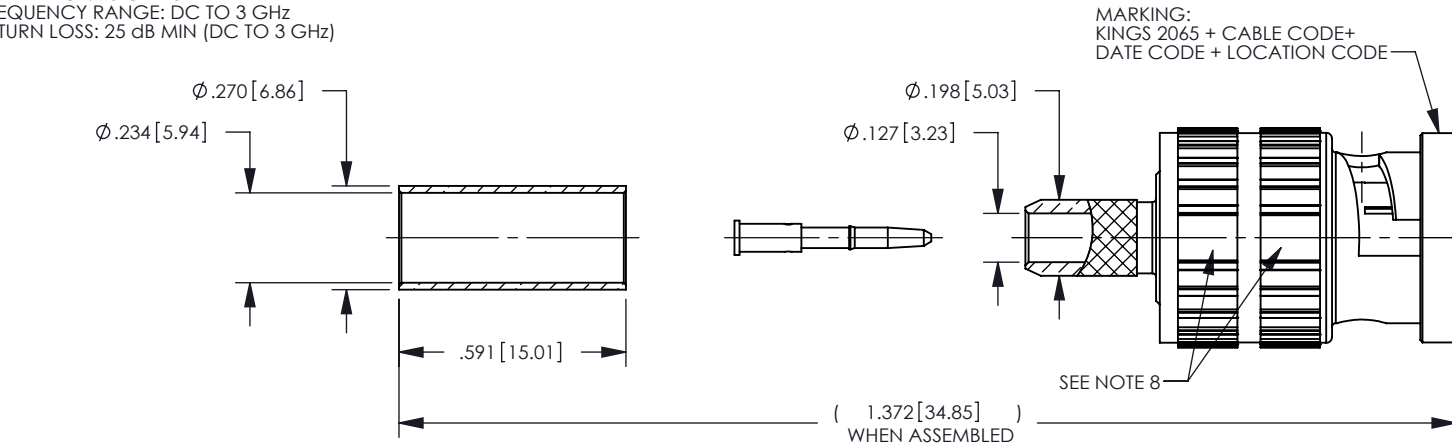


NOTES: UNLESS OTHERWISE SPECIFIED

1. FOR GENERAL SERIES SPECIFICATIONS, SEE SDRPF-206.
2. MATERIAL SPECIFICATIONS:
 BAYONET SLEEVE, BODY, CONTACT, FERRULE: BRASS PER ASTM B16
 INSULATOR: TEFLON PER ASTM D1710
 SPRING WASHER, OUTER CONTACT: BERYLLIUM COPPER, ASTM-B-194
 GASKET: SILICONE RUBBER
3. FINISH SPECIFICATIONS:
 BAYONET SLEEVE, BODY, FERRULE: .000100MIN NICKEL PER AMS-QQ-N-290
 OVER COPPER FLASH PER ASTM B734 (ROHS)
 CONTACT: .000030 MIN. GOLD PER ASTM B488, OVER NICKEL PER AMS-QQ-N-290 (ROHS)
 SPRING WASHER: .000200 MIN SILVER PER QQ-S-365 OVER COPPER PER ASTM B734 (ROHS)
 ALL OTHER METAL PARTS: .000050 MIN NICKEL PER AMS-QQ-N290 OVER
 .000050 MIN COPPER PER ASTM B734 (ROHS)
4. CONTACT AND FERRULE SHIPPED LOOSE.
5. FOR USE WITH TACHII CABLE TCX-3C2V & TCX-3C2VS OR EQUIVALENT.
6. FOR CRIMPING USE KINGS KTH-5000 & KTH-5005 (.232 HEX, .054 SQUARE FLAT).
7. ASSEMBLE TO CABLE USING CAP-E01.
8. THESE AREA DON'T HAVE WHITE MARKING.
9. ELECTRIC SPECIFICATIONS:
 IMPEDANCE: 75 OHMS
 FREQUENCY RANGE: DC TO 3 GHz
 RETURN LOSS: 25 dB MIN (DC TO 3 GHz)

| REV | DESCRIPTION | BY DATE | APPD |
|-----|-------------------------|----------------|------|
| B | REVISED PER ECR-ER22654 | 03/15/10 CY | CTC |



CATALOG P/N: 2065-E00-3C202N

| | | | | | | |
|-----------------------------------------------------------------------------------------------------------------------------------------------------------------------------------------------------------------------------------------------------|----------|----------|-----------------|-----------------------------------------------------------------------------------------------------------------------------------------------|------------------------------------------------------------------------------------------|---------------------|
| PER ASME Y14.5M-1994 UNLESS OTHERWISE SPECIFIED: DIMENSIONS ARE IN INCHES [MM] TOLERANCES: DECIMAL: .XX [X.X] ± .01 [0.3] .xxx [X.XX] ± .005 [0.13] .xxxx [X.XXX] ± .0005 [0.013] ANGLES: ± 2° SCALE: 2:1 | | | | by WINCHESTER ELECTRONICS Winchester Electronics Corporation 62 Barnes Industrial Road North Wallingford, Connecticut 06492 | | |
| CUSTOMER SALES DRAWING | | | THIRD ANGLE | | BNC 75 PLUG FOR TACHII TCX-3C2V(S) (ROHS COMPLIANT) | |
| DRAWN | DATE | APPROVED | DATE | THIRD ANGLE | | |
| CY | 04/08/09 | CTC | 04/08/09 | | | |
| APPROVED | DATE | APPROVED | DATE | | | |
| XXX | XX/XX/XX | XXX | XX/XX/XX | | | |
| A | | | | SD2065-E00-3C202N | | SHT OF REV 1 1 B |