

CMSH1-40HE CMSH1-100HE
 CMSH1-60HE CMSH1-150HE
 CMSH1-80HE CMSH1-200HE

**SURFACE MOUNT
 SILICON SCHOTTKY RECTIFIER
 1 AMP, 40 THRU 200 VOLTS**



www.centrasemi.com

DESCRIPTION:

The CENTRAL SEMICONDUCTOR CMSH1-40HE Series 1.0 Amp Surface Mount Silicon Schottky Rectifier is a high quality, high efficiency component designed for use in all types of commercial, industrial, entertainment, computer, and automotive applications.

MARKING CODE: SEE MARKING CODE TABLE ON FOLLOWING PAGE



SMA CASE

FEATURES:

- High reliability
- High efficiency Schottky rectifier
- 40V to 200V range
- Low leakage current
- Low V_F
- "C" bend construction provides strain relief when mounted on pc board

MAXIMUM RATINGS: ($T_A=25^\circ\text{C}$ unless otherwise noted)

| | SYMBOL | CMSH1 | | | | | | UNITS |
|--|-------------------|-------------|-------|-------|--------|--------|--------|--------------------|
| | | -40HE | -60HE | -80HE | -100HE | -150HE | -200HE | |
| Peak Repetitive Reverse Voltage | V_{RRM} | 40 | 60 | 80 | 100 | 150 | 200 | V |
| DC Blocking Voltage | V_R | 40 | 60 | 80 | 100 | 150 | 200 | V |
| RMS Reverse Voltage | $V_R(\text{RMS})$ | 28 | 42 | 56 | 70 | 105 | 140 | V |
| Average Forward Current | I_O | 1.0 | | | | | | A |
| Peak Forward Surge Current, $t_p=8.3\text{ms}$ | I_{FSM} | 30 | | | | | | A |
| Operating and Storage Junction Temperature | T_J, T_{stg} | -65 to +150 | | | | | | $^\circ\text{C}$ |
| Thermal Resistance | θ_{JL} | 30 | | | | | | $^\circ\text{C/W}$ |

ELECTRICAL CHARACTERISTICS: ($T_A=25^\circ\text{C}$ unless otherwise noted)

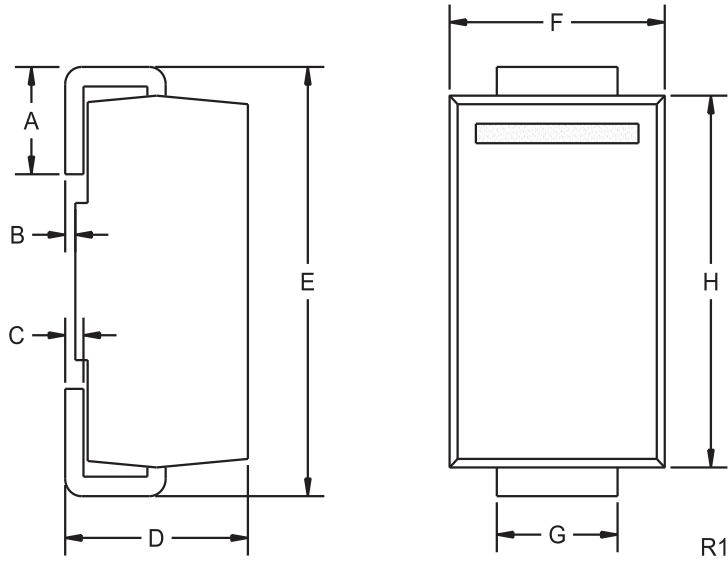
| SYMBOL | TEST CONDITIONS | MAX | UNITS |
|--------|--|------|---------------|
| I_R | $V_R=\text{Rated } V_{RRM}$ | 50 | μA |
| I_R | $V_R=\text{Rated } V_{RRM}, T_A=100^\circ\text{C}$ | 20 | mA |
| V_F | $I_F=1.0\text{A (CMSH1-40HE)}$ | 0.70 | V |
| V_F | $I_F=1.0\text{A (CMSH1-60HE)}$ | 0.74 | V |
| V_F | $I_F=1.0\text{A (CMSH1-80HE, -100HE)}$ | 0.80 | V |
| V_F | $I_F=1.0\text{A (CMSH1-150HE, -200HE)}$ | 0.90 | V |

CMSH1-40HE CMSH1-100HE
 CMSH1-60HE CMSH1-150HE
 CMSH1-80HE CMSH1-200HE



**SURFACE MOUNT
 SILICON SCHOTTKY RECTIFIER
 1 AMP, 40 THRU 200 VOLTS**

SMA CASE - MECHANICAL OUTLINE



| DEVICE | MARKING CODE |
|-------------|--------------|
| CMSH1-40HE | CS40HE |
| CMSH1-60HE | CS60HE |
| CMSH1-80HE | CS80HE |
| CMSH1-100HE | CS100HE |
| CMSH1-150HE | CS150HE |
| CMSH1-200HE | CS200HE |

| SYMBOL | DIMENSIONS | | | |
|--------|------------|-------|-------------|------|
| | INCHES | | MILLIMETERS | |
| | MIN | MAX | MIN | MAX |
| A | 0.030 | 0.060 | 0.76 | 1.52 |
| B | 0.004 | 0.008 | 0.10 | 0.20 |
| C | 0.006 | 0.012 | 0.15 | 0.30 |
| D | 0.078 | 0.103 | 1.98 | 2.62 |
| E | 0.188 | 0.220 | 4.78 | 5.59 |
| F | 0.090 | 0.115 | 2.29 | 2.92 |
| G | 0.050 | 0.070 | 1.27 | 1.78 |
| H | 0.157 | 0.181 | 3.99 | 4.60 |

SMA (REV: R1)

R1 (10-June 2011)