

PLEASE CHECK WWW.MOLEX.COM FOR LATEST PART INFORMATION

Part Number: [0399300503](#)
Status: **Active**
Description: 3.81mm (.150") Pitch Beau™ EuroMate™ Pluggable PCB Terminal Block, Dual Level, 270° Wire Entry, with Retention Screws, 3 Circuits

Documents:

[Drawing \(PDF\)](#) [RoHS Certificate of Compliance \(PDF\)](#)

Agency Certification

UL E48521

General

| | |
|-----------------------------|-----------------------|
| Product Family | Terminal Blocks |
| Series | 39930 |
| Application | Wire-to-Board |
| Comments | with retention screws |
| Component Type | Plug |
| Product Literature Order No | USA-264 |
| Product Name | EuroMate™ Pluggable |
| Type | Euro Block |

Physical

| | |
|--------------------------------|--------------------|
| Circuits (Loaded) | 3 |
| Color - Resin | Black |
| Entry Angle | Horizontal |
| Flammability | 94V-0 |
| Lock to Mating Part | Yes |
| Material - Plating Mating | Tin |
| Material - Plating Termination | Tin |
| Material - Resin | Nylon |
| Number of Rows | 2 |
| Orientation | Vertical |
| PCB Retention | N/A |
| Panel Mount | No |
| Pitch - Mating Interface (in) | 0.150 In |
| Pitch - Mating Interface (mm) | 3.81 mm |
| Pitch - Term. Interface (in) | 0.150 In |
| Pitch - Term. Interface (mm) | 3.80 mm |
| Polarized to Mating Part | Yes |
| Shrouded | Tri-Barrier |
| Stackable | No |
| Temperature Range - Operating | 130°C |
| Termination Interface: Style | Screw or Lug |
| Wire Size AWG | 14, 16, 18, 20, 22 |
| Wire Size mm ² | 0.50 - 1.50 |

Electrical

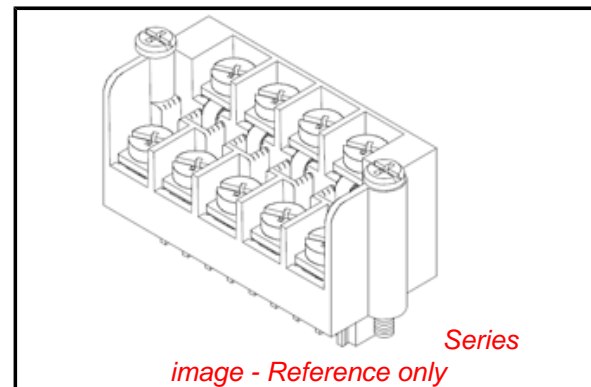
| | |
|-------------------------------|------|
| Current - Maximum per Contact | 12A |
| Voltage - Maximum | 300V |

Material Info

| | |
|-----------------|--------|
| Old Part Number | 936903 |
|-----------------|--------|

Reference - Drawing Numbers

| | |
|---------------|--------------|
| Sales Drawing | SD-39930-002 |
|---------------|--------------|



EU RoHS

**ELV and RoHS
Compliant**
REACH SVHC
 Not Reviewed
**Halogen-Free
Status**
Not Reviewed

China RoHS



**Need more information on product
environmental compliance?**

Email productcompliance@molex.com
 For a multiple part number RoHS Certificate of
 Compliance, [click here](#)

Please visit the [Contact Us](#) section for any
 non-product compliance questions.

Search Parts in this Series

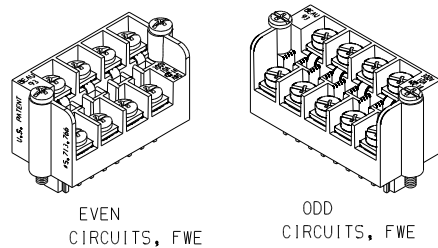
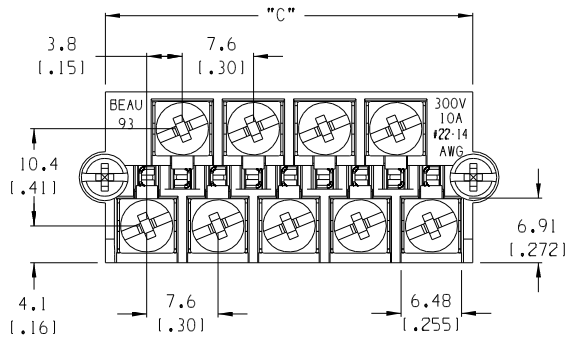
[39930Series](#)

Mates With

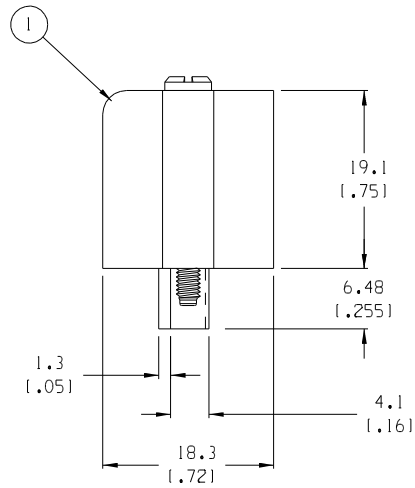
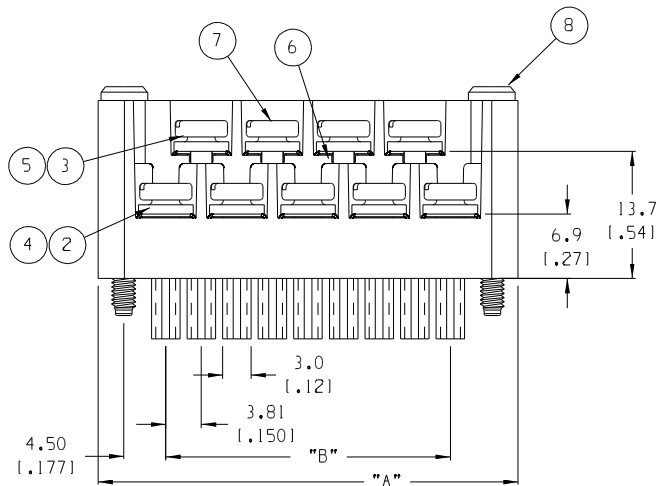
[39515-1003](#) , [39516-1003](#)

This document was generated on 05/13/2010

PLEASE CHECK WWW.MOLEX.COM FOR LATEST PART INFORMATION



AUXILIARY VIEWS
SCALE 1:1



| MATERIAL NO. | MATERIAL NO. (-G30 OPT.) | NO. OF CIRC. "XX" | "A" | "B" | "C" |
|--------------|--------------------------|-------------------|--------------|----------------|--------------|
| 399300503 | | 03 | 22.1 (1.871) | 7.62 (1.3001) | 16.5 (1.651) |
| 399300504 | | 04 | 25.9 (1.021) | 11.43 (1.4501) | 20.3 (1.801) |
| 399300505 | | 05 | 29.7 (1.171) | 15.24 (1.6001) | 24.1 (1.951) |
| 399300506 | | 06 | 33.5 (1.321) | 19.05 (1.7501) | 27.9 (1.101) |
| 399300507 | | 07 | 37.3 (1.471) | 22.86 (1.9001) | 31.8 (1.251) |
| 399300508 | | 08 | 41.2 (1.621) | 26.67 (1.0501) | 35.6 (1.401) |
| 399300509 | | 09 | 45.0 (1.771) | 30.48 (1.2001) | 39.4 (1.551) |
| 399300510 | | 10 | 48.8 (1.921) | 34.29 (1.3501) | 43.2 (1.701) |
| 399300511 | | 11 | 52.6 (2.071) | 38.10 (1.5001) | 47.0 (1.851) |
| 399300512 | 399310512 | 12 | 56.4 (2.221) | 41.91 (1.6501) | 50.8 (2.001) |
| 399300513 | | 13 | 60.2 (2.371) | 45.72 (1.8001) | 54.6 (2.151) |
| 399300514 | | 14 | 64.0 (2.521) | 49.53 (1.9501) | 58.4 (2.301) |
| 399300515 | | 15 | 67.8 (2.671) | 53.34 (2.1001) | 62.2 (2.451) |
| 399300516 | | 16 | 71.6 (2.821) | 57.15 (2.2501) | 66.0 (2.601) |
| 399300517 | | 17 | 75.4 (2.971) | 60.96 (2.4001) | 69.9 (2.751) |
| 399300518 | | 18 | 79.3 (3.121) | 64.77 (2.5501) | 73.7 (2.901) |
| 399300519 | | 19 | 83.1 (3.271) | 68.58 (2.7001) | 77.5 (3.051) |
| 399300520 | | 20 | 86.9 (3.421) | 72.39 (2.8501) | 81.3 (3.201) |
| 399300521 | | 21 | 90.7 (3.571) | 76.20 (3.0001) | 85.1 (3.351) |

NOTES:

1. MATERIAL: SEE TABLE
2. FINISHES: SEE TABLE
3. PRODUCT SPECIFICATION: NOT REQUIRED
4. PACKAGING: NOT REQUIRED
5. MATES WITH: BEAU 90 SERIES, 3.81mm HEADER & EQUIVALENT PARTS
6. "XX" REFERS TO THE QUANTITY OF CIRCUITS

ODD CIRCUIT CONFIGURATION SHOWN

| ITEM | QTY. (EVEN NO. OF CIRCUITS) | QTY. (ODD NO. OF CIRCUITS) | DESCRIPTION | MATERIAL | FINISH |
|------|-----------------------------|----------------------------|--------------------------------|---------------|---------------------|
| 8 | 2 | 2 | SCREW, MOUNTING, M2.5X.450 | STEEL | ZN, YELLOW CHROMATE |
| 7 | XX | XX | SCREW, M3.5X.280 | STEEL | ZN, YELLOW CHROMATE |
| 6 | XX | XX | NUT, M3.5, HEX | STEEL | ZN, YELLOW CHROMATE |
| 5 | XX/2 | (XX+1)/2 | REAR ROW TERMINAL (-G30 OPT.) | PHOS. BRONZE | SELECTIVE GOLD |
| 4 | XX/2 | (XX+1)/2 | FRONT ROW TERMINAL (-G30 OPT.) | PHOS. BRONZE | SELECTIVE GOLD |
| 3 | XX/2 | (XX+1)/2 | REAR ROW TERMINAL | PHOS. BRONZE | HOT TIN DIP |
| 2 | XX/2 | (XX+1)/2 | FRONT ROW TERMINAL | PHOS. BRONZE | HOT TIN DIP |
| 1 | 1 | 1 | BARRIER | THERMOPLASTIC | BLACK |

| | | | | | |
|--|--|--|--|--|---------------------|
| EC NO. 11648 DRAWN: RK 8-23-05 CH: K1 APPR: | QUALITY SYMBOLS MAJOR: CRITICAL: SPC: S: | GENERAL TOLERANCES: (UNLESS SPECIFIED) mm INCH 4 PLACES ±.0015 3 PLACES ±.038 ±.005 2 PLACES ±.13 ±.01 1 PLACE ±.3 | SCALE 2:1 DESIGN UNITS <input type="checkbox"/> mm <input checked="" type="checkbox"/> INCH DRAWN BY & DATE C. YORK 03-22-04 CHECKED BY & DATE R. KEMP 03-22-04 APPROVED BY & DATE GHR 03-22-04 | THIRD ANGLE PROJECTION TITLE: PLUG, FWE, 3.81MM EUROMATE XX ASY, -E | |
| | | CAD FILENAME 9369XX | MATERIAL NO. SEE CHART | DRAWING NO. SD-39930-002 | SHEET NO. 1 OF 1 |
| | | THIS DRAWING CONTAINS INFORMATION THAT IS PROPRIETARY TO MOLEX INCORPORATED AND SHOULD NOT BE USED WITHOUT WRITTEN PERMISSION. | | | |
| | | REV B | SIZE B | | |