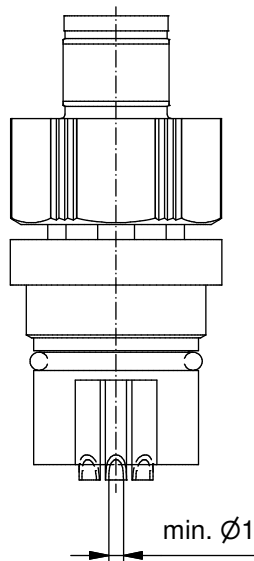


Inner view ( 2 : 1 )

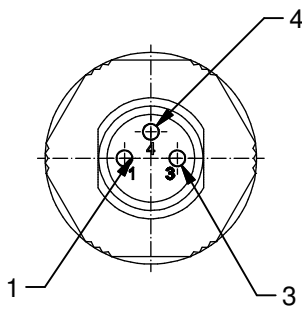


**Technical specification:**

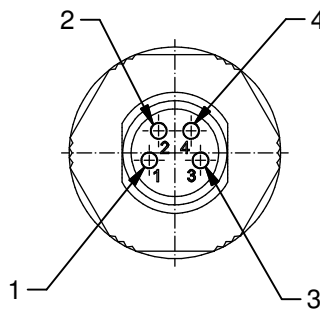
Rated voltage: IEC 61076-2-104	3pos 60 V	4pos 30 V
Current rating: IEC 61076-2-104	3 A at 40°C with 0,25mm <sup>2</sup>	
Insulation resistance: IEC 60512	≥ 100 MΩ	
Pollution degree: IEC 60664-1	3/2	
Degree of protection: IEC 60529	IP 67, in mated condition	
Temperature range: IEC 60664-1	-30°C ... +85°C	
Mating cycles: IEC 60512-9a	≥ 100	

**Materials:**

Contact:	CuZn
Contact plating:	Au over Ni in mating area
Contact carrier:	PA6 GF, UL 94
Cable sealing:	NBR
O-Ring:	Silicone
Coupling nut:	Die cast, nickel plated
Housing:	PA6 GF, UL 94



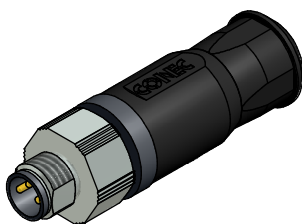
3 pos



4 pos

**Installation specification:**

Recommended torque:	0,4 Nm
Conec installation tool:	Torque wrench: 36-000200 Insert across flats 13: 36-000220

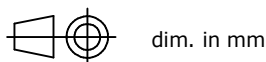


Part no:	Description:	Pos:	Cable-Ø:
42-00005	SAL - 8 - RSC3-L	3	4 - 5,5mm
42-00007	SAL - 8 - RSC4-L	4	4 - 5,5mm

DO NOT ALTER CAD DRAWING BY HAND  
Directive 2002/95/EC RoHS compliant

Index: c 10.08.11, K.H. Ä4071  
Rated voltage and Current rating updated

THIS DRAWING MAY NOT BE COPIED OR REPRODUCED IN ANY WAY, AND MAY NOT BE PASSED ON TO A THIRD PARTY WITHOUT WRITTEN PERMISSION.  
OWNERSHIP AND COPYRIGHT OF CONEC GmbH



	date	name
drawn	16.12.10	Petker
appd.	16.12.10	Kühle



title: Male connector M8x1, solder cup, axial, solder connection

dwg no: 42K1A283

part no: see table