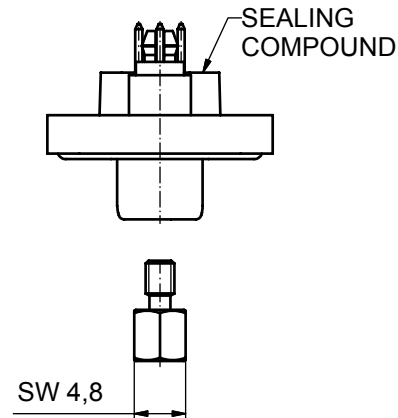
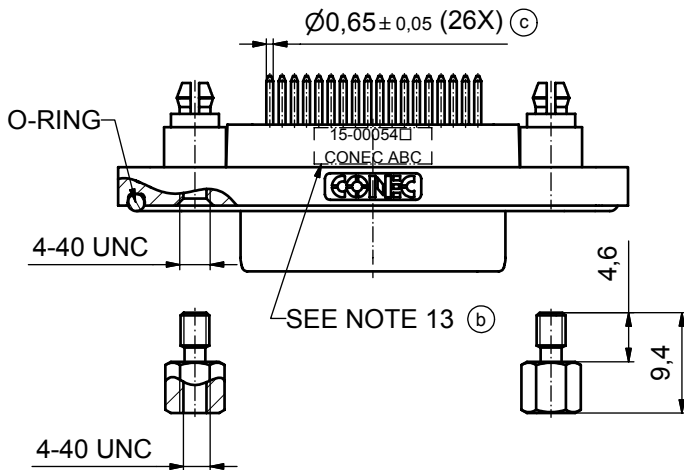
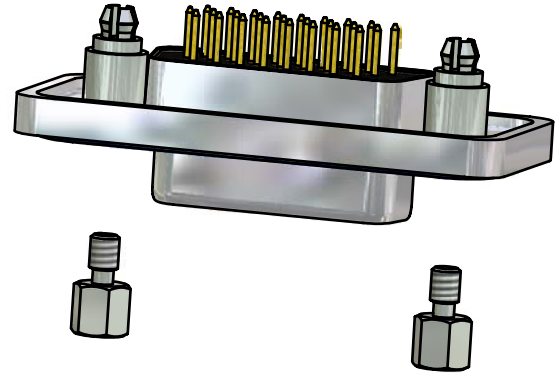
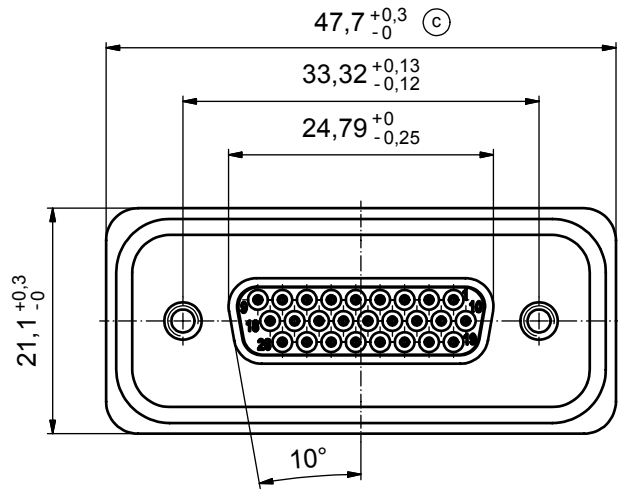
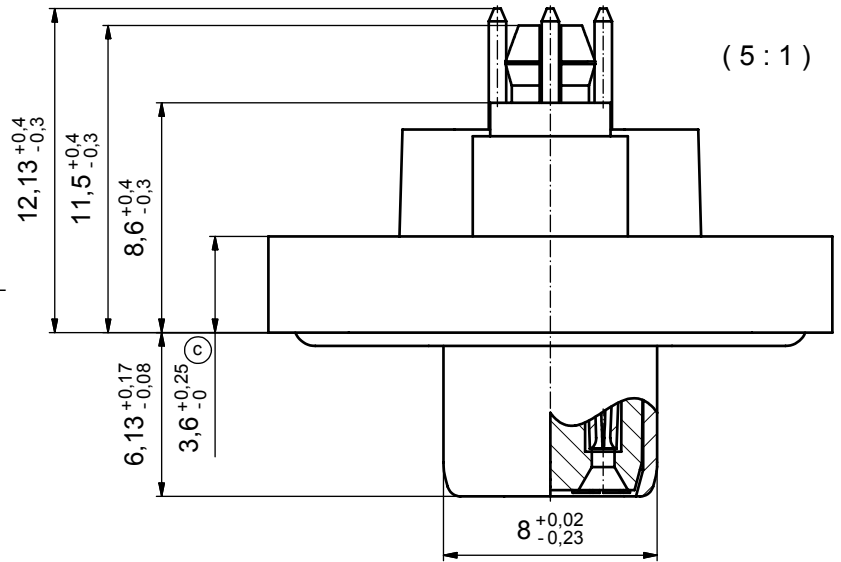


(b) (c)

NOTES:

1. FOR WAVESOLDERING (SOLDER BATH TEMPERATURE 265°C FOR 8 SEC. AND SOLDER PREHEAT 150°C FOR 180 SEC.)
2. IP RATING: IP 67
3. SEALED TO WITHSTAND PRESSURE UP TO 1,45 PSI FOR 30 MINUTES AFTER HIGH TEMPERATURE EXPOSURE
4. METALSHELL: ZINC DIE CAST; min. 50µin NICKEL PLATING over COPPER
5. INSULATORS: PBT GF UL 94 V-0, BLACK
6. O-RING: SILICONE PER ASTM D2000 70 SHORE A
7. SEALING COMPOUND: EPOXY RESIN UL 94 V-0; BLACK
8. CONTACTS: COPPER ALLOY
PLATING (SEE PART NO):
 PLEASE ADD 1 for 30µin HARD GOLD over min. 50µin NICKEL
 PLEASE ADD 3 for 8µin HARD GOLD over min. 50µin NICKEL
9. REAR SPACER CLIPS: COPPER ALLOY; min. 200µin TIN over 80µin NICKEL
PCB-HOLE: $\varnothing 3,1 \pm 0,1$; PCB THICKNES 1,6mm
10. HEXLOCKING SCREWS: STAINLESS STEEL
11. PCB-HOLE DRILLINGS and RECOMMENDED PANEL CUT-OUT ON SHEET 2
12. RECOMMENDED TORQUE FOR MOUNTING SCREW 35Ncm (3.1 in.LB) / max.67Ncm (6 in.LB)
13. CONNECTOR IS PART MARKED: 15-00054 CONEC ABC



AT ALL TIMES WATER RESISTANT CONNECTORS NOT IN USE SHOULD BE COVERED WITH A CONEC WATER RESISTANT CAP OR WATER TIGHT HOOD.

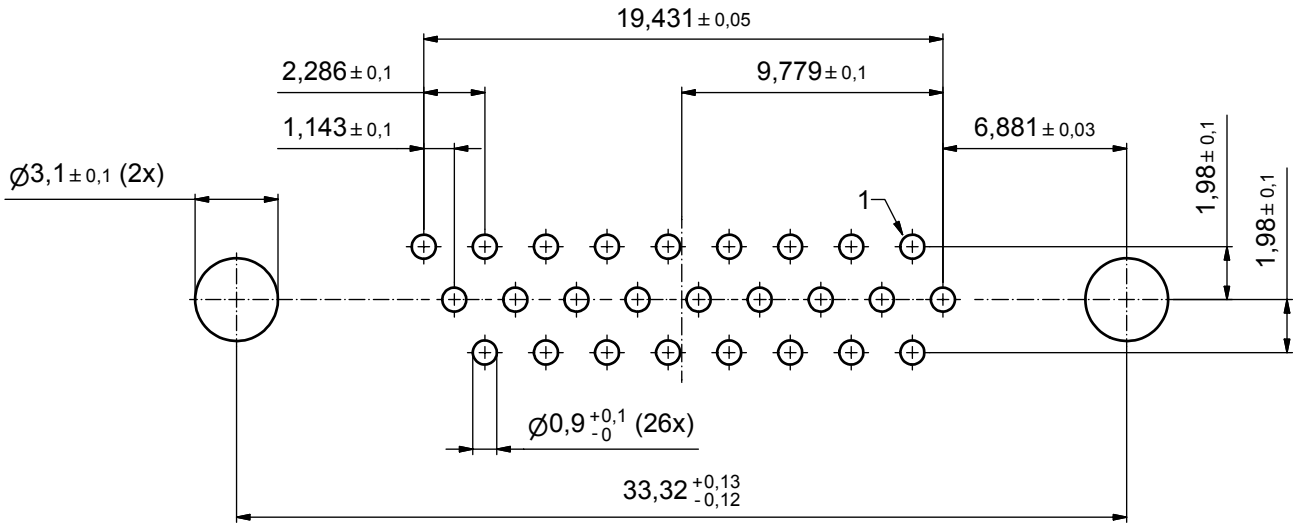


| | |
|---|--------|
| APPROVAL # FREIGABE # DEBLOCAGE # AUTORIZACION # APPROVAL | |
| CUSTOMER APPROVAL DATE: | |
| NAME: | TITLE: |
| COMPANY NAME: | |
| APPROVAL # FREIGABE # DEBLOCAGE # AUTORIZACION # APPROVAL | |

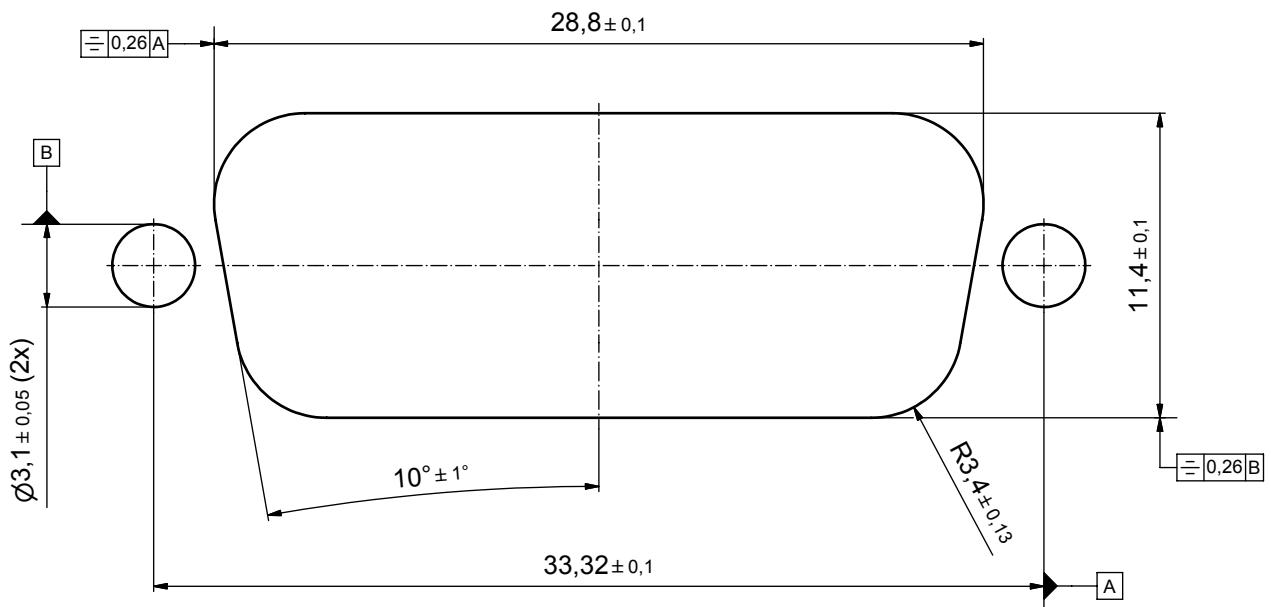
| | | | | | | |
|--|-------------|----------|------|-----------|----------|------------|
| THIS DRAWING MAY NOT BE COPIED OR REPRODUCED IN ANY WAY, AND MAY NOT BE PASSED ON TO A THIRD PARTY WITHOUT WRITTEN PERMISSION. OWNERSHIP AND COPYRIGHT OF CONEC GmbH | | | | tolerance | | dim. in mm |
| DO NOT ALTER CAD DRAWING BY HAND | | | | date | name | |
| 5 x c | Ä 3435 | 25.09.09 | HS | drawn | 09.09.08 | Schmidt |
| 3 x b | Ä 3129 | 26.09.08 | HS | appd. | 15.09.08 | Fischer |
| a | Origin | | | norm | | |
| rev. | description | date | name | | | |
| | | | | | | |

| | | |
|-----------|---|--------|
| scale: | 2:1 (5:1) | |
| material: | see notes | |
| title: | D-SUB FEMALE HD 26pos. SOLDER PIN STRAIGHT with rear spacer clip and hexlocking screw | |
| dwg no: | Inventor 10 | DIN-A3 |
| | 15K1A267 | sh: 1 |
| part no: | 15-00054 (see note 8) (b) | |

P.C.B. HOLE DRILLINGS



RECOMMENDED PANEL CUT-OUT (b)



| | |
|---|--------|
| APPROVAL # FREIGABE # DEBLOCAGE # AUTORIZACION # APPROVAL | |
| CUSTOMER APPROVAL DATE: | |
| NAME: | TITLE: |
| COMPANY NAME: | |
| APPROVAL # FREIGABE # DEBLOCAGE # AUTORIZACION # APPROVAL | |

| DO NOT ALTER CAD DRAWING BY HAND | | | | tolerance | | dim. in mm |
|----------------------------------|-------------|----------|------|-----------|----------|------------|
| 1 x b | A 3129 | 26.09.08 | HS | date | name | |
| a | Origin | | | drawn | 09.09.08 | Schmidt |
| rev. | description | date | name | appd. | 15.09.08 | Fischer |
| | | | | norm | | |
| | | | | d-old | | |

| | | |
|-----------|--|--------|
| scale: | 5:1 | |
| material: | see sheet 1 | |
| title: | P.C.B. HOLE DRILLINGS PANEL CUT-OUT D-SUB Female 26pos. HD Solder pin straight | |
| dwg no: | Inventor 10 | DIN-A3 |
| | 15K1A267 | sh: 2 |
| part no: | see sheet 1 | |

