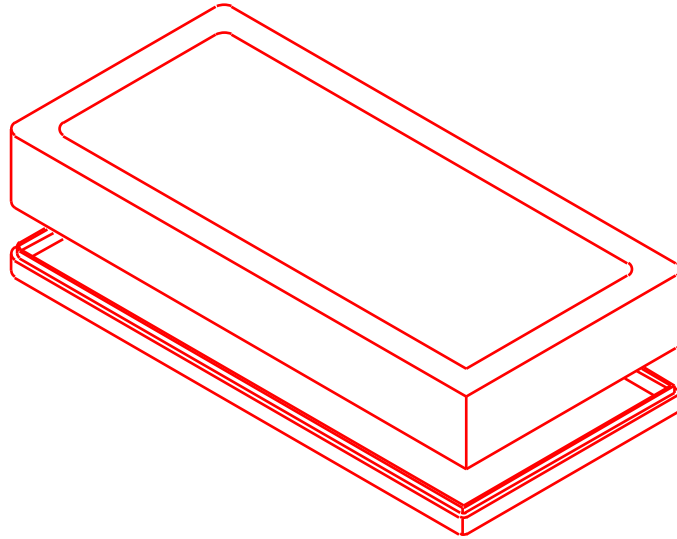


REV	DESCRIPTION	DATE

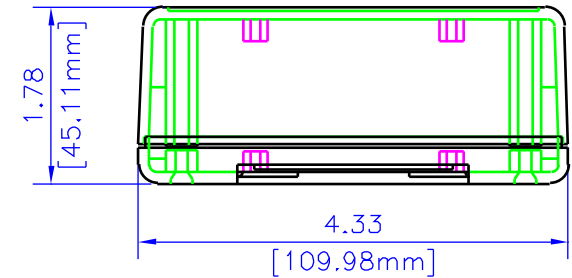
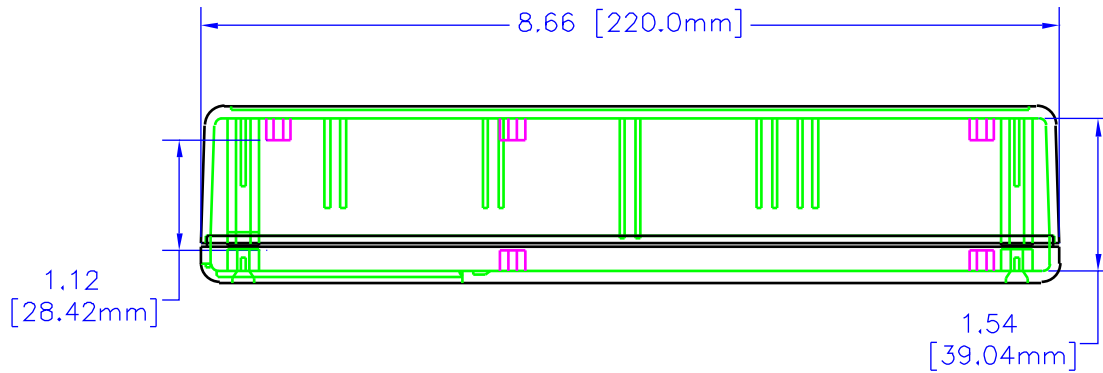


NOTES

MATERIAL (ABS) FLAME RETARDANT UL94 V0 MATERIAL WITH BRASS INSERTS IN CORNER POSTS,
(STYRENE) IS NON-FLAME RETARDANT WITHOUT BRASS INSERTS.

PARTS (ABS) VERSION MACHINE SCREWS M3-0.5 x 10mm,
REPLACEMENT PN 1591MS100 (100 / BAG), (STYRENE)
VERSION SELF TAPPING #4 x 0.5",
REPLACEMENT PN 1591TS100 (100 / BAG),

COLORS (ABS) BLACK, & GRAY, (STYRENE) GRAY ONLY,



ASSEMBLED

UNLESS OTHERWISE SPECIFIED
DIMENSIONS ARE IN INCHES.

x +/- .1

xx +/- .02

xxx +/- .015

CUTS +/- .005

ANGLES +/- .5 DEG.

NOTES:
HAMMOND CLAIMS PROPRIETARY RIGHTS TO THE MATERIAL ON THIS DRAWING, IT IS INTENDED TO BE USED AS A REFERENCE FOR ENGINEERING INFORMATION ONLY. THIS INFORMATION MAY NOT BE USED TO MANUFACTURE PRODUCT WITHOUT WRITTEN PERMISSION FROM HAMMOND MANUFACTURING.



**HAMMOND
MANUFACTURING**

WEB: WWW.HAMMONDMFG.COM

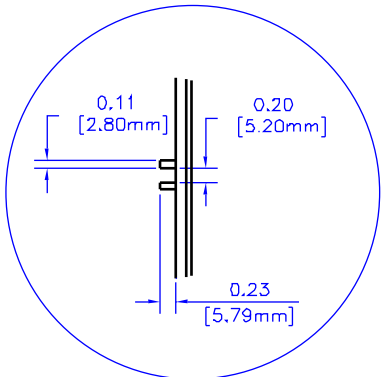
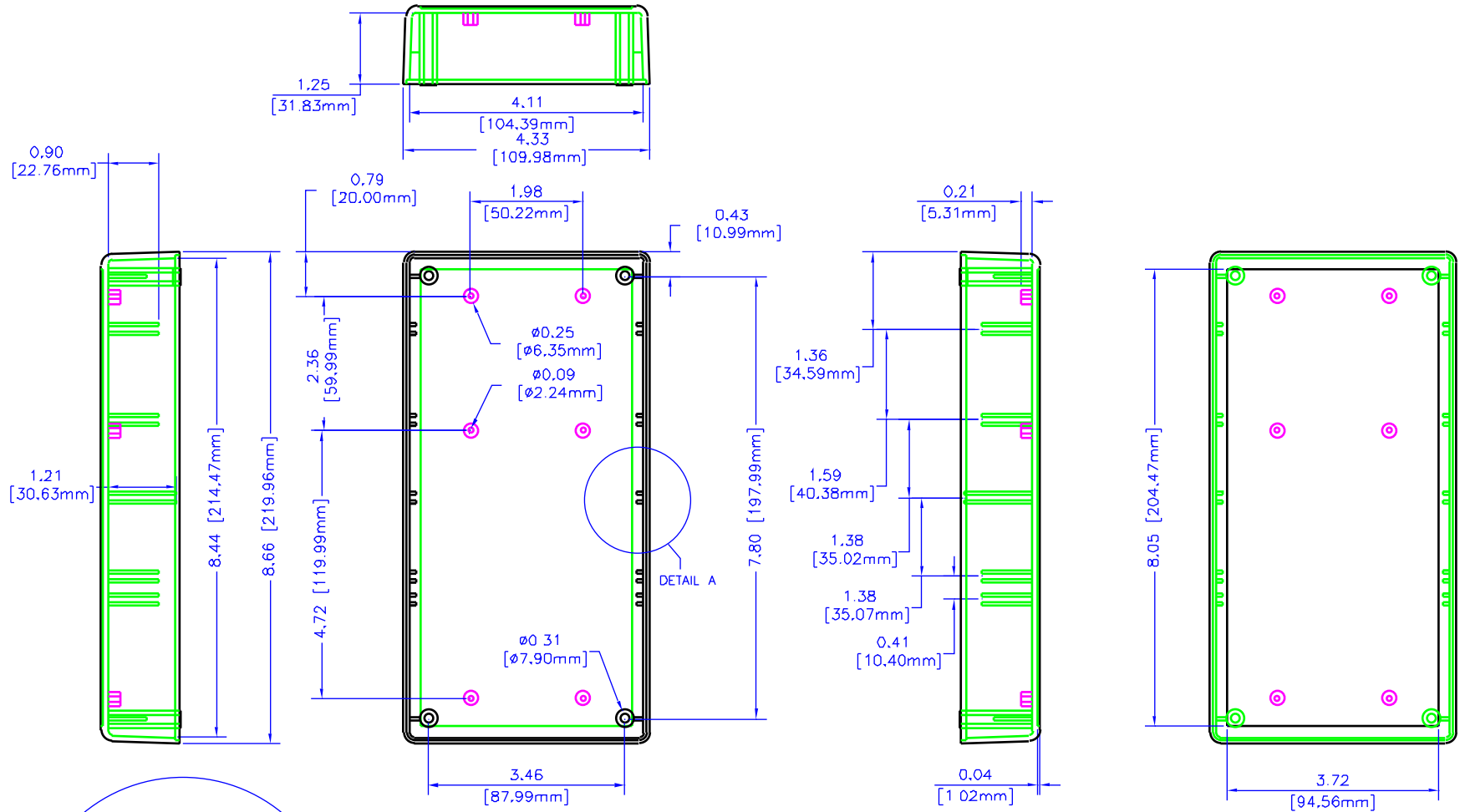
TITLE
HAMMOND 1599 SERIES
PLASTIC ENCLOSURE

DRAWN BY MJM DATE 07/06/01

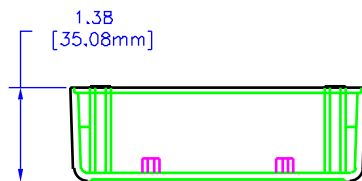
SCALE PAGE 1 OF 3

PART NUMBER
1599HBAT

NOTES



DETAIL A



APPROXIMATE 2 DEG.
DRAFT ANGLE

BOX

UNLESS OTHERWISE SPECIFIED DIMENSIONS ARE IN INCHES	
X	+/- .1
XX	+/- .02
XXX	+/- .015
FILLS	+/- .005
ANGLES	+/- 8 DEG
NOTES	
HAMDON OWNS PROPRIETARY RIGHTS TO THE MATERIAL ON THIS DRAWING. IT IS INTENDED TO BE USED AS A REFERENCE FOR ENGINEERING INFORMATION ONLY. THIS INFORMATION MAY NOT BE USED TO MANUFACTURE PRODUCT WITHOUT WRITTEN PERMISSION FROM HAMMOND MANUFACTURING.	



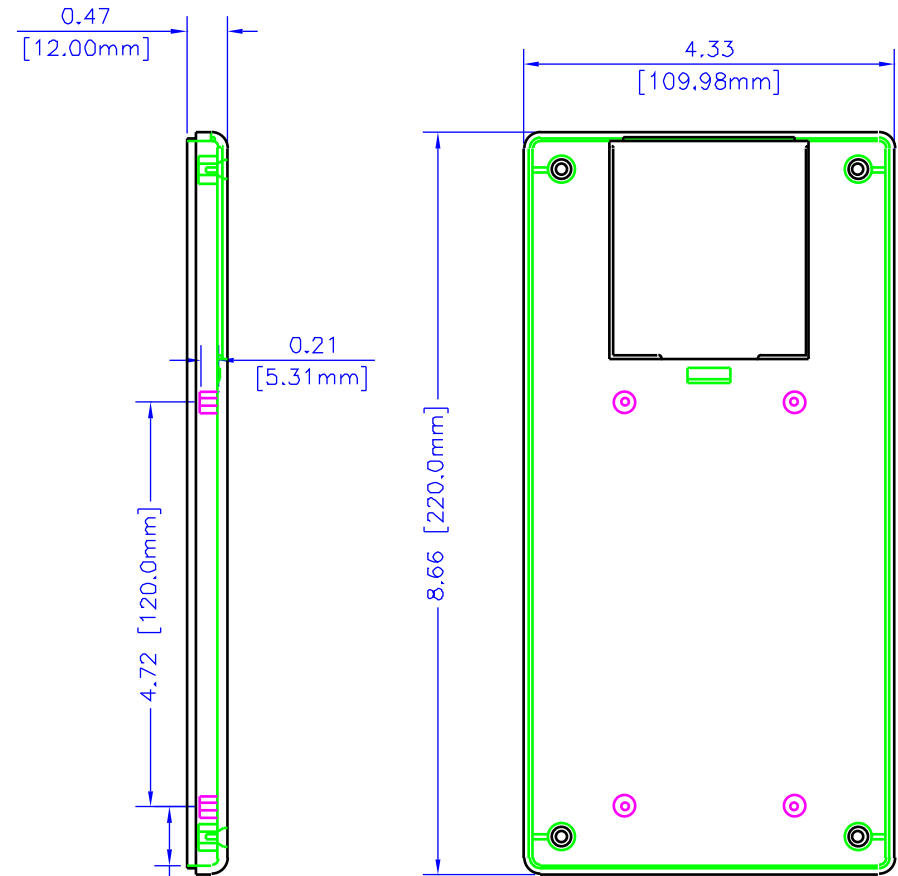
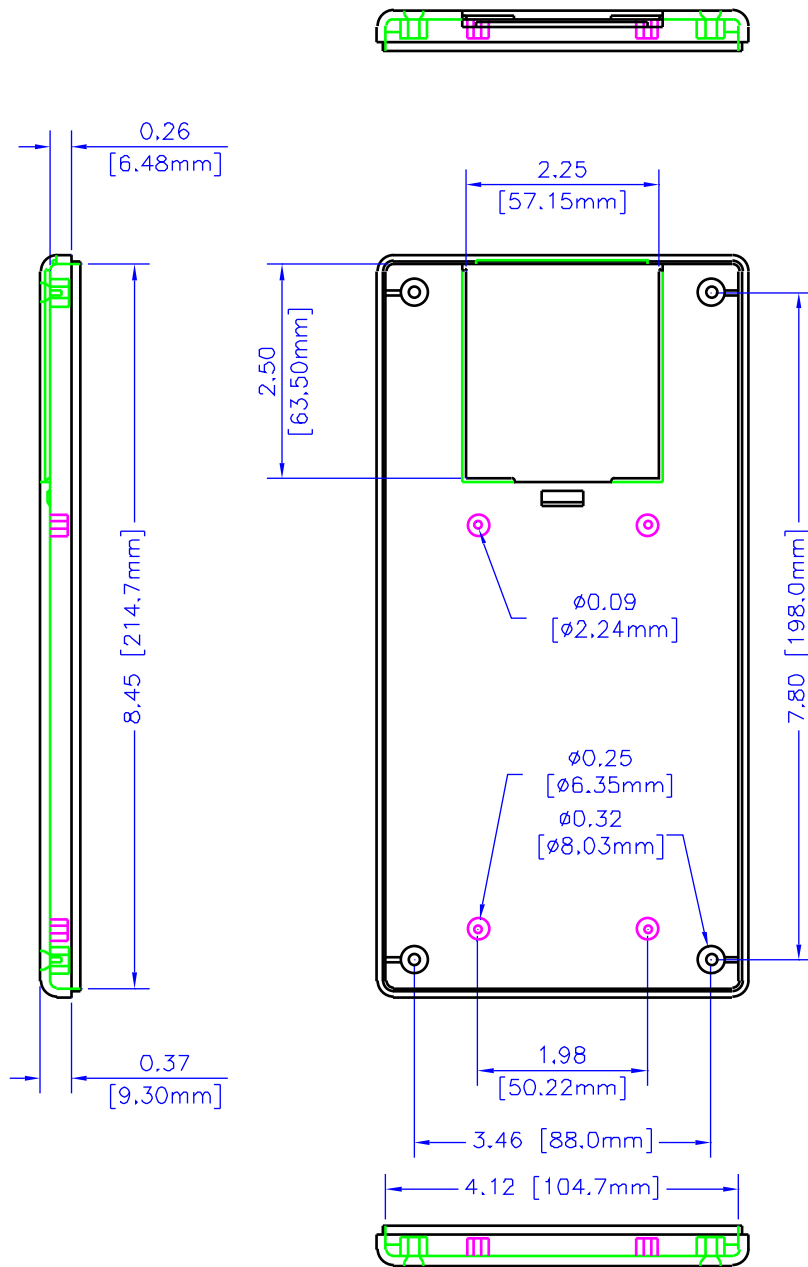
**HAMMOND
MANUFACTURING**

WEB: WWW.HAMMONDMFG.COM

TITLE		HAMMOND 1599 SERIES PLASTIC ENCLOSURE	
DRAWN BY	MJM	DATE	07/06/01
SCALE		PAGE	2 OF 3
PART NUMBER	1599HBT		

NOTES

BATTERY LID IS REMOVED
IN ALL VIEWS



LID

UNLESS OTHERWISE SPECIFIED
DIMENSIONS ARE IN INCHES
XX +/- .1
XXX +/- .02
XXXX +/- .015
DITS +/- .005
ANGLES +/- .5 DEG.
NOTES:
HARDWARE SHALL BE REFERENCED TO THE MATERIAL OR THIS DRAWING. IT IS INTENDED TO BE USED AS A REFERENCE FOR ORDERING INFORMATION ONLY. THE MANUFACTURER MAY NOT BE USED TO MANUFACTURE PRODUCT WITHOUT WRITTEN PERMISSION FROM HAMMOND MANUFACTURING.



WEB: WWW.HAMMONDMFG.COM

TITLE
HAMMOND 1599 SERIES
PLASTIC ENCLOSURE
DRAWN BY MJM DATE 07/06/01
SCALE PAGE 3 OF 3
PART NUMBER
1599HBAT