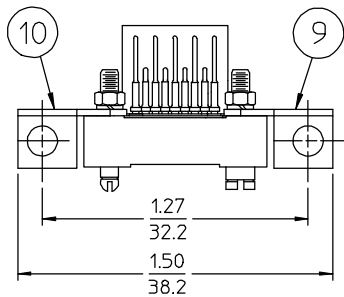


NOTE: HARDWARE TO BE FINGER TIGHT.

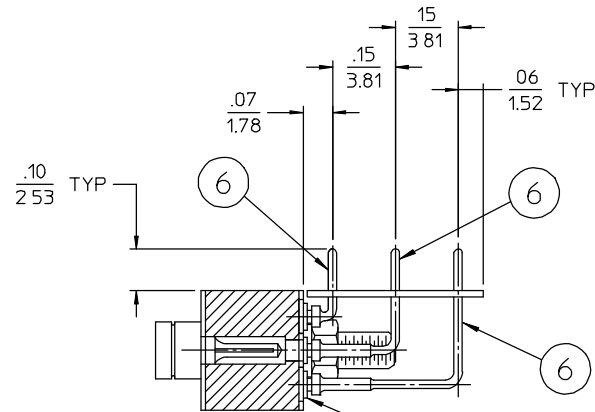


SRE14S113N5050

SAME AS SRE14S113N4172C EXCEPT WITH MOUNTING BRACKETS ATTACHED

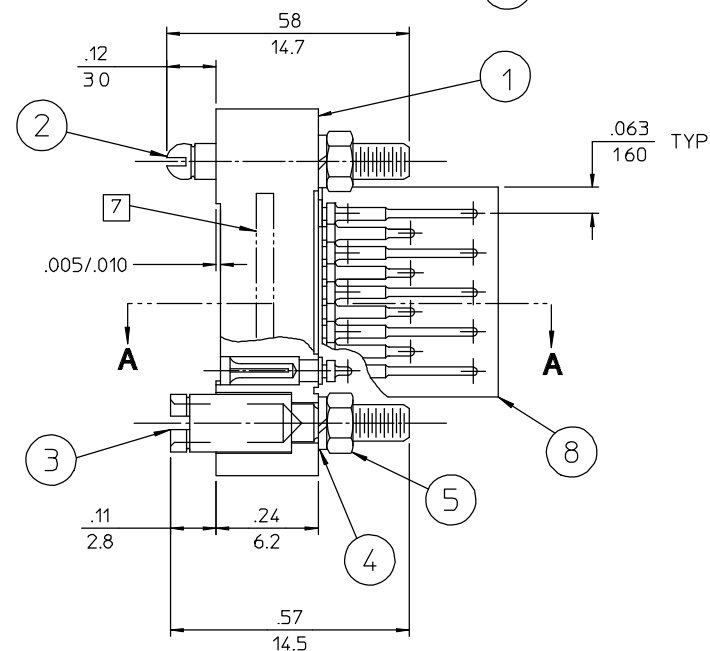
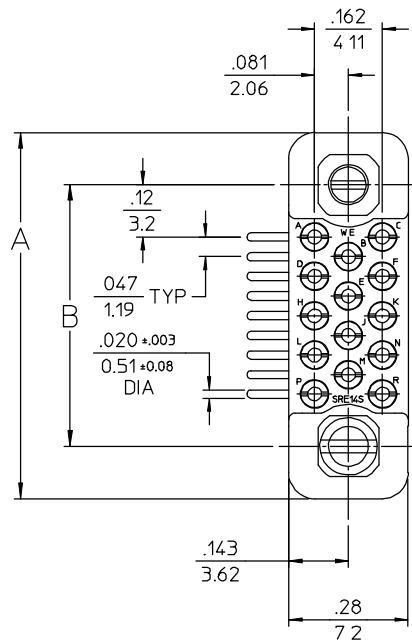
PERFORMANCE SPECIFICATIONS

- CURRENT RATING: 5AMPS.
- DIELECTRIC WITHSTANDING VOLTAGE: IS ONE MINUTE ELECTRIFICATION AT 1000 VAC, SEA LEVEL
- TERMINATION TYPE: ACCEPTS .030 DIA PIN CONTACT
- CONTACT RETENTION: 6 LBS AXIAL LOAD, ON INDIVIDUAL CONTACTS.
- CONTACT SEPARATION FORCES 9 OZ MAX. .5 OZ MIN.
- INSERTION AND WITHDRAWL FORCES (CONNECTOR ASSEMBLY) : SHALL NOT EXCEED 1 POUND TIMES THE NUMBER OF CONTACTS
- CATALOG NUMBER, DATE CODE AND MANUFACTURING LOCATION CODE LOCATED IN AREA SHOWN.



SECTION A-A

SRE26S113N4172C	1.25/31.8	100/25.4	TYPE SDG	DARK BLUE
SRE20S113N4172C	1.06/26.9	.81/20.6		
SRE14S113N4172C	.88/22.4	.63/16.0		
SRE14S113N5050				
SRE11S113N4172C	.78/19.8	.53/13.5		
CATALOG NO	A	B	MATERIAL TYPE	COLOR



SRE14S113N4172C SHOWN

ITEMS

- MOLDING FEMALE - DIALLYL PHTHALATE, PER MIL-M-14, SEE CHART FOR MATERIAL TYPE AND COLOR.
- GUIDE PIN - BRASS, GOLD OVER COPPER, MATES WITH ③
- GUIDE SOCKET - BRASS, GOLD OVER COPPER, MATES WITH ②
- LOCKWASHER - PHOSPHUR BRONZE, GOLD OVER COPPER
- NUT HEX - #2-56-BRASS, GOLD OVER COPPER
- CONTACT SOCKET - PHOS. BRONZE GOLD OVER NICKEL
- CLIP SPRING - BERYLLIUM COPPER, GOLD OVER COPPER
- HEADER - TEFLON
- BRACKET, RH - STAINLESS STEEL, PASSIVATED
- BRACKET, LH - STAINLESS STEEL, PASSIVATED

REV	DESCRIPTION	BY DATE	APPD
D	ADDED SRE34S113N4172C & SRE34S113N5331. SEE SHT 2. ECR# 4690	04/06/97	ELJC

PER ANSI Y14.5M-1982 UNLESS OTHERWISE SPECIFIED DIMENSIONS ARE IN INCHES		 Winchester Electronics 400 PARK ROAD WATERTOWN, CONNECTICUT 06795
TOLERANCES	MM OR INCHES / MM	
DECIMALS	.XX ± 01 .XXX ± 007	
ANGLES ± 5°		SCALE: 4:1
CUSTOMER DRAWING		TITLE
		SRE-SERIES RIGHT ANGLE CONNECTOR
DRAWN	DATE CHECKED	DATE
GARY G 12-7-89	V. HARRIS 12/15/89	
APPROVED	DATE APPROVED	DATE
A. MAKSIMOW 12/15/89	J. A. SANDOR 12/15/89	
C		24591
1 of 2		REV D

